



GATHER PRICE BOOK



Effective: 04/01/26
See full price book for Warranty
and Terms & Conditions



Venue
video pier

Hang Out
coat tree



Perimeter
mobile task walls



Illustrate
expandable whiteboard



Convene
meeting & task table



Home Base
personal caddy



In the Round
adjustable workstation



Provision
service & storage cart



Atmosphere
botanical stands

Perimeter
Mobile task walls



Illustrate
expandable whiteboard



Provision
service & storage cart



Convene
meeting & task table



Venue
Video pier



Hang Out
coat tree



In the Round
adjustable workstation



Atmosphere
botanical stands



Home Base
personal caddy



Plants
live maintenance free plants



Accessories



Gather accessories can be used across the collection to provide functionality and personalization.

Model Code	Description	Size	List Price
------------	-------------	------	------------



GRAC1	Magnetic holder - Specify Metal Finish	1.6" x 12" x 3"H	\$200
-------	--	------------------	-------

Specs: Formed metal holder is powder coated and comes with magnet strips on the vertical surface. Dry erase markers and eraser not included



GRAC2	Two-sided whiteboard - Specify PET Color	9" x 12"H	\$175
-------	--	-----------	-------

Specs: PET board laminated with dry erase laminate. Dry erase markers and eraser not included



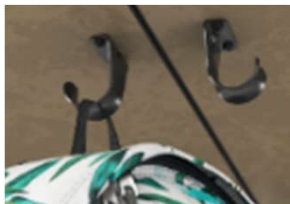
GRAC3	PET supply cup - Specify PET Color	5" x 5" x 6"H	\$190
-------	------------------------------------	---------------	-------

Specs: Supply cups are made of formed felted PET and available in many colors. Supply cups hang from the pegs on In The Round, Home base & Provision carts.



GRAC4	Stackable PET bin - Specify PET Color	16" x 19" x 10"H	\$570
-------	---------------------------------------	------------------	-------

Specs: PET Bins are made of formed felted PET and available in many colors.



HOOK	Metal Bag Hook		\$20
------	----------------	--	------

Specs: Black 14GA bent steel hook holds up to 100 lbs. and can be placed anywhere under your table. Field installed.



CUP	Swivel cup holder	8" x 5"	\$150
-----	-------------------	---------	-------

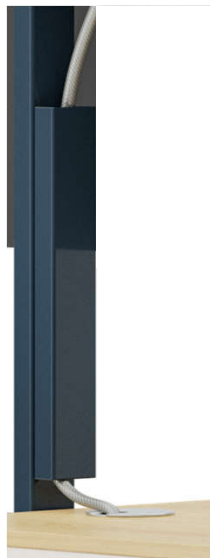
Specs: Swivel cup holder is secured with screws, this cup holder is 8" x 5" 14GA steel, has 110° of swivel and fits two sizes of cups: standard 2.75" and larger 3.5". Available in black only



Magnetic dry erase roll and tube for storage.

GRAC5	Perimeter Magnetic Roll-Up	33" x 25"H	Coming Soon
GRAC6	Perimeter & Illustrate Magnetic Roll-Up	33" x 52"H	Coming Soon
GRAC7	Illustrate Door Magnetic Roll-Up	15" x 52"H	Coming Soon

Gather accessories can be used across the collection to provide functionality and personalization.



Model Code	Description	Size	List Price
WMAG.15	Magnetic wire manager 15" long Specs: Formed 1" deep x 2" wide metal holder is powder coated and comes with magnet strips on the vertical surface. Used for Venue TV cart & 29" Convene Table	1" x 2" x 15"	\$220
WMAG.30	Magnetic wire manager 30" long Specs: Formed 1" deep x 2" wide metal holder is powder coated and comes with magnet strips on the vertical surface. Used for Provision service cart.	1" x 2" x 30"	\$390
WMAG.32	Magnetic wire manager 32" long Specs: Formed 1" deep x 2" wide metal holder is powder coated and comes with magnet strips on the vertical surface. Used for 42" Convene Table.	1" x 2" x 32"	\$420



GB	Black Grommet	3" diameter	\$40
GS	Silver Grommet	3" diameter	\$40

Specs: 3" round plastic grommet is provided with tabletops that are cut at factory for correct hole size. Field installed.



QR	Quick Release leveling gangers		\$300
----	--------------------------------	--	-------

Specs: 3" x 6" 11GA steel plates. Simply loosen the knobs, slide plate over, tighten knobs and tops are joined and leveled. Inserts are factory installed, plate and knobs are field installed. Used for Convene Tables.



WLOOP	Loop Clips		\$20
-------	------------	--	------

Specs: Four clips are provided to secure cables under the Tabletop. Sets of 4 may also be purchased.



PTUCK.W	White Tuck Power	8" x 2.32" x 2.35"	\$660
---------	------------------	--------------------	-------

(2) 15 Amp, 120 Volt Tamper Resistant AC Receptacles
 (1) 2.4 Amp USB-A Port
 (1) 60-Watt USB-C Power Delivery Port
 Standard Fabric Cord Length: 10' and 90° Plug with 45° Offset
 Cord comes with Integrated Leather Cable Manager
 Power cords should not be routed in walkways or where subject to damage.

Tuck Power is standard on Venue TV carts.
 Optional for Provision carts and Convene tables.



Caster specs for:

Atmosphere;
 Convene;
 Hang Out;
 Home Base
 In The Round;
 Provision;

Each product includes two locking and two non-locking casters.

3" twin wheel in RAL7001 color with bolt hole.

2-7/8" overall height Nylon and steel with dark gray soft polyurethane tread.



Caster specs for:

Perimeter
 Illustrate
 Venue

Each product includes two locking and two non-locking casters.

5" swivel 125mm wheel in RAL7001 color with bolt hole.

6.34" overall height. Nylon and steel with dark gray soft polyurethane tread

Load capacity (dynamic) 220 lbs. Load capacity (static) 440 lbs.

Gather accessories can be used across the collection to provide functionality and personalization.

Model Code	Description	Size	List Price
GR.16Jungle	Live Maintenance Free Plant <i>Used with Perimeter Half Planter or Atmosphere stands</i>	8" x 16"	\$1,120
GR.32Jungle	Live Maintenance Free Plant <i>Used with Perimeter Long Planter Buckets</i>	8" x 32"	\$2,240



Typical Jungle Plants are standard with a variety of:
 Algerian Ivy • Asparagus Fern • Brocade Moss • Cider Gum
 Foxtail Millet • Lady Fern • Leather Leaf Fern • Vegetable Lamb

Various plants in all the shades of the lush rainforest set onto a flat moss substrate guarantee a deceptively real jungle feel.

GR.16Moss	Live Maintenance Free Plant <i>Used with Perimeter Half Planter or Atmosphere stands</i>	8" x 16"	\$880
GR.32.Moss	Live Maintenance Free Plant <i>Used with Perimeter Long Planter Buckets</i>	8" x 32"	\$1,670



Typical Moss Plants are standard with a variety of:
 Brocade Moss • Chinese Cymbidium • Cider Gum • Green Trick Dianthus •
 Himalayan Ivy • Leather Leaf Fern • Lemon Scented Gum.

Free standing Perimeter Planter Buckets

GRPE.H	Perimeter Half Planter Bucket (9 lbs./ea)	8" x 16"	\$1,050
GRPE.L	Perimeter Long Planter Bucket (16 lbs./ea)	8" x 33"	\$1,300





Cultivation



Harvest



Preservation



Processing

PLANTS AND MOSSES ARE PRESERVED AFTER HARVEST WITH GLYCERINE AND FOOD COLORING.

1. CULTIVATION

The plants for Hi5's Gather collection are cultivated on certified farms – just like carrots or mushrooms. Appropriate care ensures the best possible conditions to create an optimal harvest.

2. HARVEST

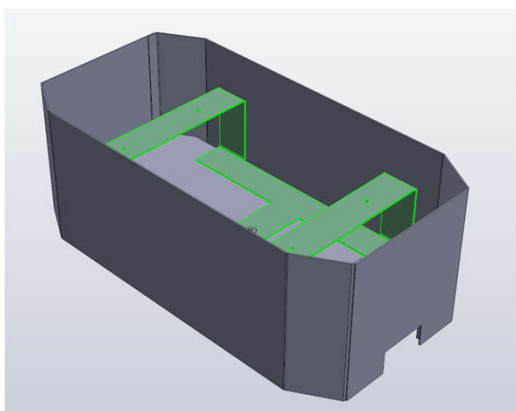
The harvest is done by hand with love and care. Subsequently, the harvested plants are pre-sorted by hand. Only the plants that meet the highest quality standards are later used in processing.

3. PRESERVATION

Natural preservation keeps the plants permanently beautiful and makes them easy to maintain. In an exchange process, the water in the plant is replaced by glycerine and the chlorophyll is replaced by food coloring.

4. PROCESSING

Artistic florists arrange the plants by hand by hot melt glueing the plants to the MDF board. Each plant is a true original.



Installation

MUST BE HANDLED WITH CARE DURING INSTALLATION

The plants come glued to MDF board. Using the screws provided by Hi5, screw through the plants and MDF board into the metal bracket inside the metal planter bucket.

FREQUENTLY ASKED QUESTIONS

Are the plants real?

Yes, Hi5 only uses only real plants, which are preserved with a natural process that uses glycerine and food coloring. As a result, the plants become stable and require no additional care.

How are the plants preserved?

The special preservation method is based on water, food coloring and glycerine or salt and therefore poses no health risks.

Do the plants require care?

No, no care is necessary. On the contrary: the preserved plants should never be watered under any circumstances. They also require no light and because of their antistatic properties, they do not collect dust.

In short: 100% nature. 0% care.

What happens in direct sunlight?

In direct sunlight, some plants may fade after 2 - 3 years.

Where can Hi5 products be placed?

As long as the humidity is under 70%, the plants can be used anywhere indoors. Preserved plants are not suitable for outdoor environments.

Do the plants have an impact on the acoustics of a room?

Yes, they act much like acoustic panels made of soft natural materials and reduce both noise and reverberation in indoor areas.

Do the plants or moss have an odor?

Since they are natural plants, they have the typical, natural odor that dissipates with time.

Do the plant pictures look exactly like they do in the catalog or on the website?

No, not 100%. Firstly, our plant are handcrafted. Secondly, the plants are natural products that may vary in color and form. Each plant is therefore unique.



IS IT POSSIBLE TO REINVIGORATE THE COLOR OF THE PLANTS?

Yes, Should the mosses lose their color intensity due to time, high humidity or direct sunlight, you can order a natural after-dye spray from us.

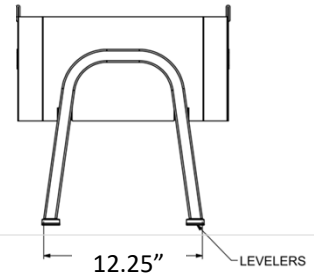
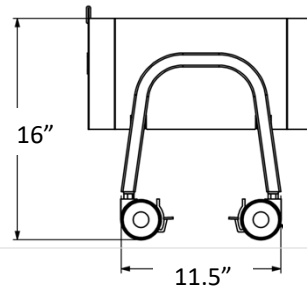
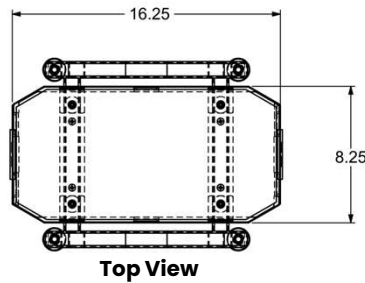
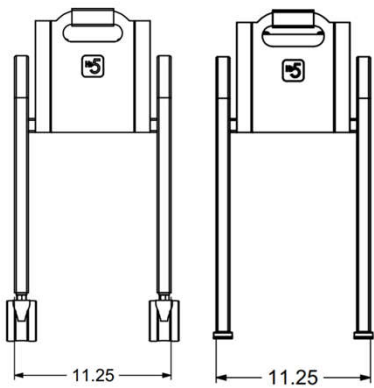
REJUVINATING TREATMENT FOR MOSSES:



Available with levelers or casters

Bring nature inside with Atmosphere botanical stands, available in three heights. Choose from vibrant naturally preserved live plants to infuse your space with a natural, biophilic charm. These preserved plants are entirely maintenance-free, requiring no watering or sunlight to stay green and fresh. Designed for flexibility, the stands seamlessly transform into stylish storage solutions. Use them as decorative steel buckets to organize files or even store office supplies. Want to add a personal touch? Place your own potted plants or flower arrangements in them. Just remember to add a water tray for any live greenery.

Whether adding a pop of nature to a conference room, reception area, or personal workspace, Atmosphere Botanical Stands bring both beauty and functionality to your office. Breathe life into your surroundings with a splash of greenery that never fades! This Decorative Planter is intended for decorative use only and is not designed to hold water. For optimal plant care and to prevent water damage, it is recommended to place a separate pot with a drainage hole inside the Decorative Planter. This allows excess water to drain away from the plant's roots, promoting healthy growth while safeguarding the planter from water damage.



Atmosphere – Product Specifications

Metal Frame and Bucket

The metal frame and bucket are versatile, suitable for use with Hi5 plants or other items.

Fabric Handle Wrap

The Hush fabric handle wraps are hemmed and secured using magnets and Velcro for a polished and secure fit.

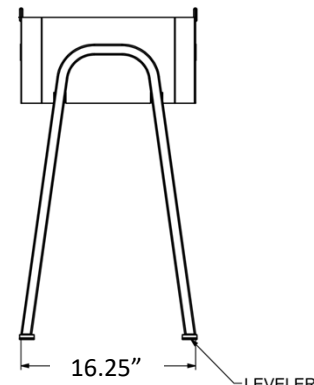
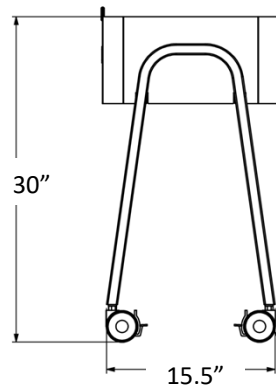
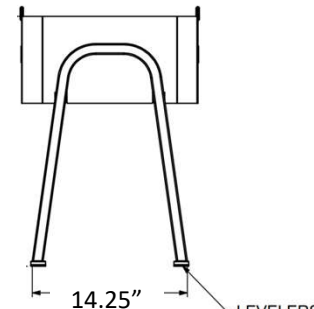
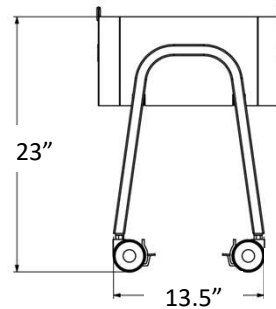
Please note that COM (Customer's Own Material) is not available for the Hush fabric.

With and Without Hi5 Plants

- With Hi5 Plants: Brackets required for installation are included with your order.
- Without Hi5 Plants: A magnetic Hush fabric liner will be provided to cover the bottom of the bucket.

Casters or Levelers

The Atmosphere is available with either levelers or enjoy easy mobility with two locking and two non-locking casters, providing both flexibility and stability.



Model Code	Description	Size	List Price
------------	-------------	------	------------

GRAT16	Casters	8" x 16" x 16"H	\$2,630
--------	---------	-----------------	---------

GRAT16.L	Levelers	8" x 16" x 16"H	\$2,460
----------	----------	-----------------	---------



GRAT23	Casters	8" x 16" x 23"H	\$2,700
--------	---------	-----------------	---------

GRAT23.L	Levelers	8" x 16" x 23"H	\$2,500
----------	----------	-----------------	---------



GRAT30	Casters	8" x 16" x 30"H	\$2,750
--------	---------	-----------------	---------

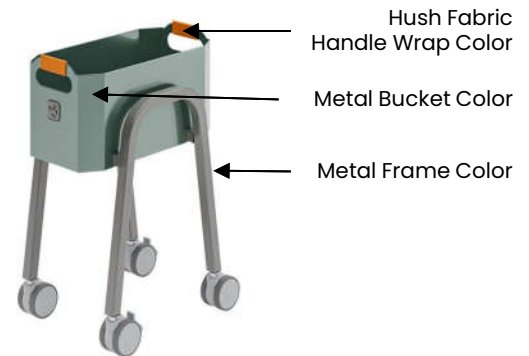
GRAT30.L	Levelers	8" x 16" x 30"H	\$2,580
----------	----------	-----------------	---------



To Order, Specify:

1. List Model Code
2. Finishes

Metal Frame Color:
 Metal Bucket Color
 Hush Fabric Handle Color

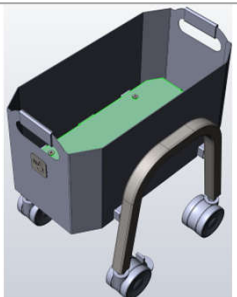
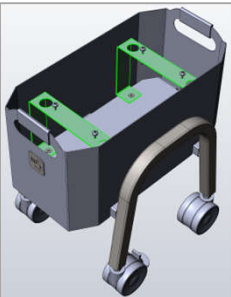


LIST ACCESSORIES AS SEPARATE LINE ITEMS

Model Code	Description	List Price
GR.16Moss	Live Maintenance-Free Plant	\$880

When Hi5 plants are ordered, the necessary brackets for installation are included.

If Hi5 plants are not ordered, a magnetic Hush fabric liner will be included to cover the bottom of the bucket.

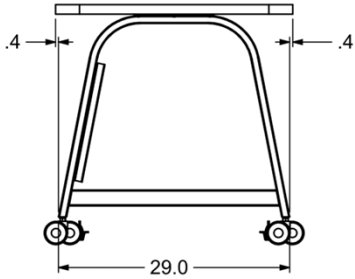
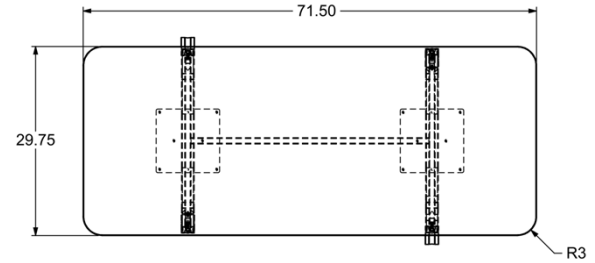
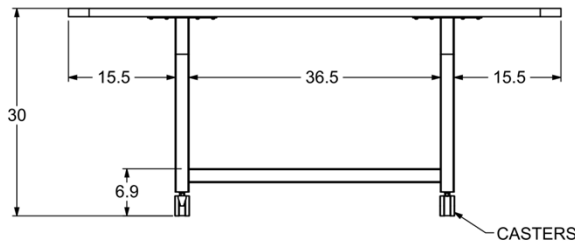


NOTE:

- Planter is not intended to hold water
- Please note that COM (Customer's Own Material) is not available for the Hush fabric.
- GRAT16 units weigh 16 lbs.
- GRAT16 units weigh 18 lbs.
- GRAT16 units weigh 20 lbs.



Optional power and wire management shown



Convene Table – Product Specifications

Convene Tables designed to bring people together for a meeting or gatherings. Convene Tables are available in both seated and bar heights, featuring a convenient footrail for added comfort. Integrated power and wire management solutions keep devices connected and clutter-free, making them ideal for meetings and collaborative sessions.

Available Heights

- Choose from two height options:
 - 29" Seated Height for standard seating arrangements.
 - 42" Bar Height for elevated seating experiences.

Tabletops

- High-Pressure Laminate (HPL) Surfaces with durable PVC Edges for a clean, long-lasting finish.
- Other tabletop materials like butcherblock or solid surface are not available.

Metal Legs and Footrails

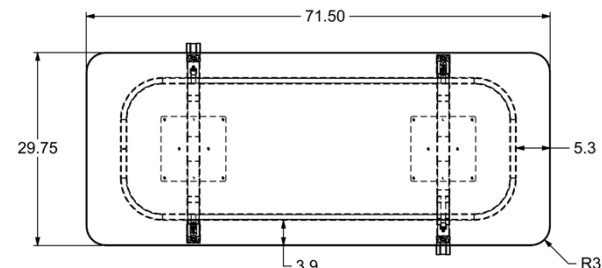
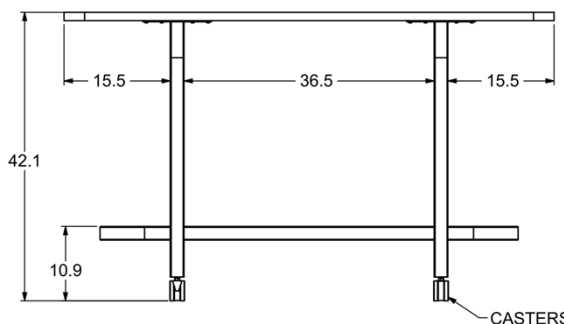
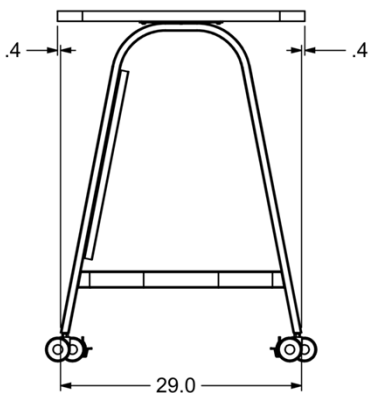
- Sturdy Metal Legs and Footrails provide excellent structural support and durability.

Power and Wire Management

- Convenient Edge-Mounted Power Solutions and integrated Wire Management options are available to keep cords organized and accessible.

Casters

- Effortless mobility with Two Locking and Two Non-Locking Casters, ensuring both easy movement and secure positioning when needed.



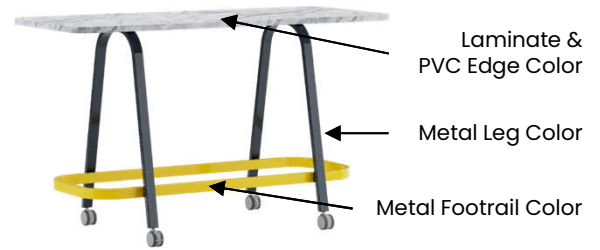
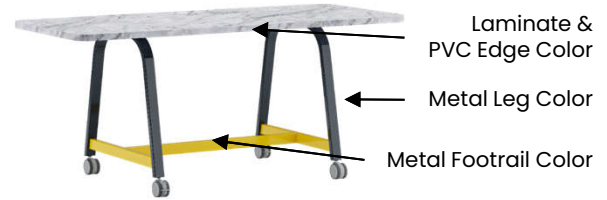


L x W x Height	MODEL CODE	Table Weight	List Price
72 30 29	GRCO 723029 SR.L3	113 lbs.	\$3,660
72 30 42	GRCO 723042 SR.L3	127 lbs.	\$4,740

To Order, Specify:

1. List Model Code
2. Finishes

Laminate Color:
 PVC Edge Color:
 Metal Leg Color:
 Metal Footrail Color:



LIST ACCESSORIES AS SEPARATE LINE ITEMS

Model Code	Description	List Price
HOOK	Black Metal Bag Hook	\$20
WMAG.15	Magnetic wire manager 15" long For Seated Height Tables Specify Metal Finish	\$220
WMAG.32	Magnetic wire manager 32" long For Bar Height Tables Specify Metal Finish	\$420
GB	Black Grommet	\$40
GS	Silver Grommet Select Location Code	\$40
QR	Quick Release Leveling gangers Location Code: A	\$300
WLOOP	Loop Clips	\$20
PTUCK.W	White Tuck Power w/ brackets	\$1,220

Hang Out - coat tree

Hang Out - Product Specifications

Hang Out Coat Rack

Combining functionality and style, the Hang Out Coat Tree offers ample space for coats, bags, and umbrellas. Its sculptural design, paired with locking casters, ensures flexible placement in any workspace.

Size

16.5" x 16.5" x 69"H

Metal Frame and Bucket

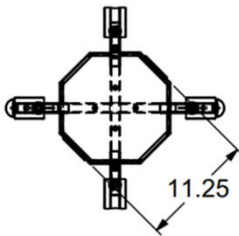
Sculptured Metal Frame and Umbrella Bucket
PET is provided for the bottom to prevent loud noises

Casters or Levelers

The hang Out is available with either levelers or enjoy easy mobility with two locking and two non-locking casters, providing both flexibility and stability.

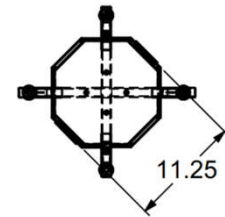


TOP VIEW (TRANSPARENT)

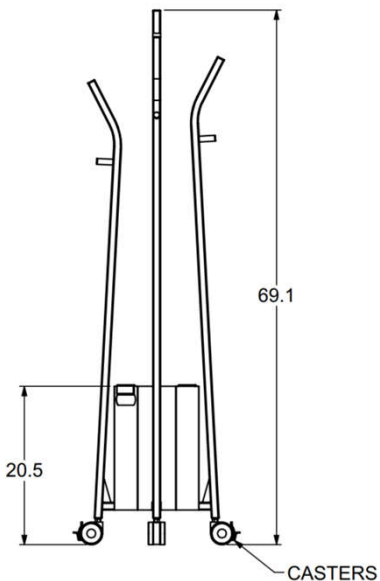


Casters

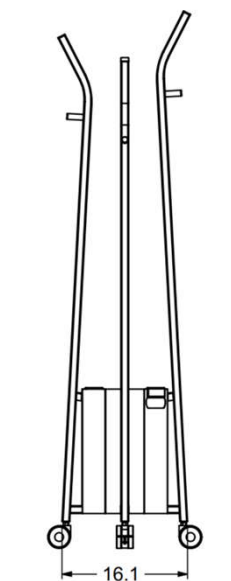
TOP VIEW (TRANSPARENT)



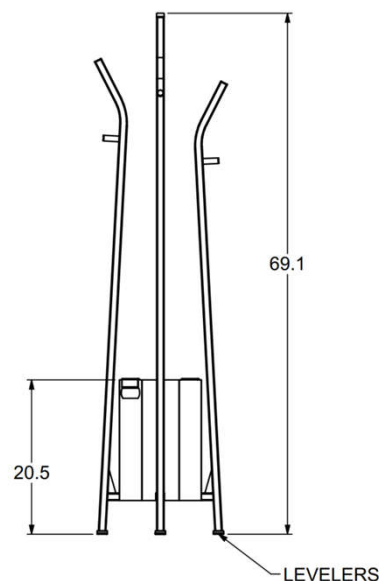
Levelers



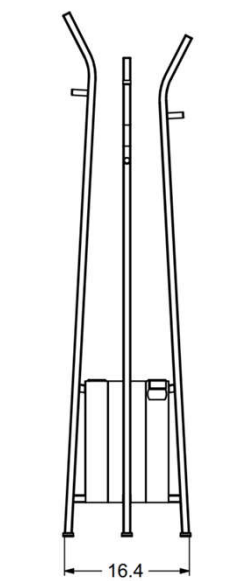
FRONT VIEW



SIDE VIEW



FRONT VIEW



SIDE VIEW

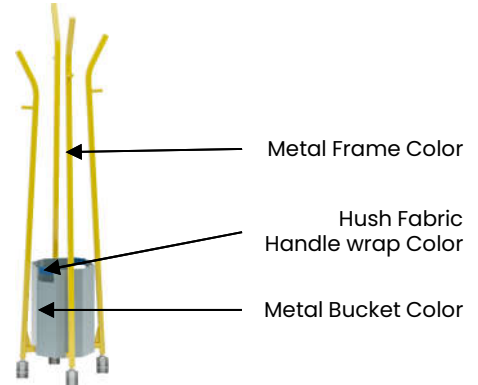


Model Code	Description	Size	List Price
GRHA	Casters	16" x 16" x 69"H	\$4,310
GRHA.L	Levelers	16" x 16" x 66"H	\$4,100

To Order, Specify:

1. List Model Code
2. Finishes

Metal Frame Color:
 Metal Bucket Color:
 Hush Fabric Handle Color:



NOTE:

- Please note that COM (Customer's Own Material) is not available for the Hush fabric.
- Includes PET insert for bottom of bucket. Can be used with or without this insert.
- Hang Out units' weight 33 lbs.

Home Base – Product Specifications

Home Base Personal Caddy Stay mobile and organized with Home Base. This personal caddy features a decorative laser-cut basket for bags and belongings, it offers both a 300 lbs. weight capacity and is ideal for hybrid workers on the move.

Metal Frame and Body

- Laser Metal Body secured to Metal frame provide excellent structural support and durability.

Shelf

- High-Pressure Laminate (HPL) Surfaces with durable PVC Edges for a clean, long-lasting finish. The shelf height is 18" off the floor. The weight capacity is 300 lbs.

Casters

- Effortless mobility with Two Locking and Two Non-Locking Casters, ensuring both easy movement and secure positioning when needed.

Pegs

- Standard welded pegs securely hold backpacks, whiteboards, or supply cups, supporting up to 25 lbs.



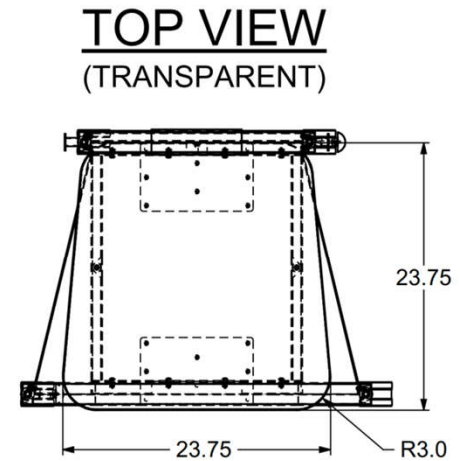
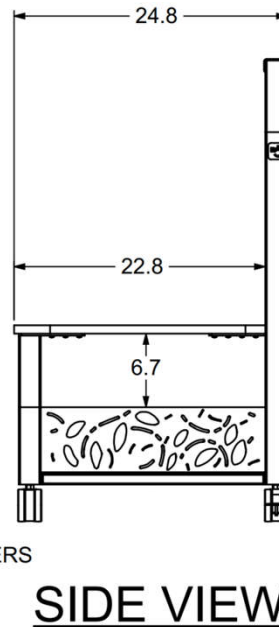
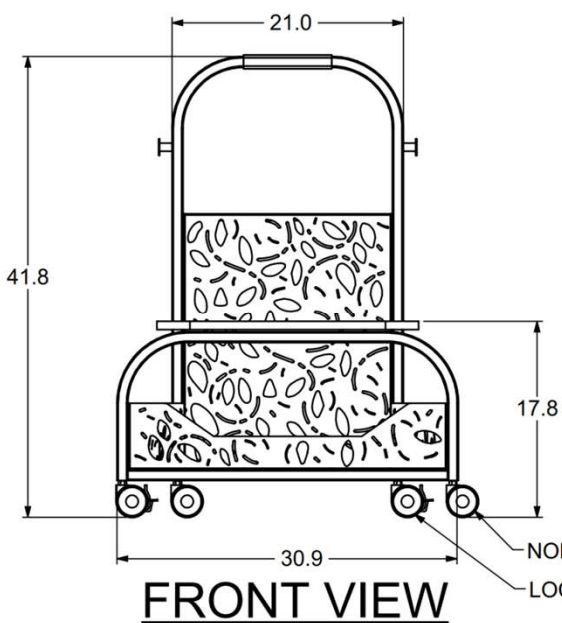
Pagoda Pattern



Tread Pattern



Racetrack Pattern



Model Code	Size	Weight	List Price
------------	------	--------	------------



Pagoda Pattern

GRHO2	31" x 25" x 42"H	75 lbs.	\$5,720
-------	------------------	---------	---------



Tread Pattern

GRHO3	31" x 25" x 42"H	75 lbs.	\$ 5,720
-------	------------------	---------	----------



Racetrack Pattern

GRHO4	31" x 25" x 42"H	75 lbs.	\$5,660
-------	------------------	---------	---------

To Order, Specify:

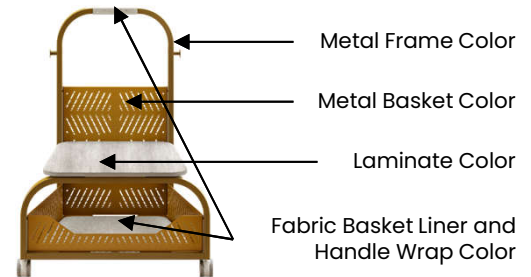
1. List Model Code
2. Finishes

Metal Body Color:

Laminate Color:

PVC Edge Color:

Hush Fabric Shelf and Handle Color:



LIST ACCESSORIES AS SEPARATE LINE ITEMS

Model Code	Description	List Price
GRAC2	Two-sided whiteboard Specify PET Finish	\$170
GRAC3	PET supply cup Specify PET Finish	\$190
GRAC4	Stackable PET bin Specify PET Finish	\$570

NOTE:

- Please note that COM (Customer's Own Material) is not available for the Hush fabric.
- Hush Fabric Handle Wrap and Shelf color must be the same.
- The Home Base weighs 75lbs.

Illustrate – Product Specifications

Illustrate Expandable Whiteboard features three magnetic whiteboard panels perfect for brainstorming. The panels are compatible with dry-erase markers while the tackable acoustic PET panels offer sound absorption. Capture and save ideas using removable roll-up magnetic sheets that can store on the Provision carts.

Metal Frame

- Built with a robust metal frame for superior durability and stability.
- Two metal doors provide structural support and ensure longevity.
- Units are not designed to gang together.

Interior Features

- Magnetic Dry-Erase Whiteboard with easy-to-clean, ghosting-resistant surface.
- Glossy Surface supports projection, although image quality may vary due to reflectivity and projector brightness.

Whiteboard Care Instructions

- Clean with a soft, damp cloth and mild soap solution.
- Rinse with clean water and dry with a soft cloth.
- For stubborn stains, use a nonabrasive cleanser like Formula 409®.
- Avoid using permanent markers.
- If necessary, remove permanent ink using one of two methods:
 - Write over the permanent ink marker with a dry-erase marker and wipe clean with a microfiber cloth.
 - Apply a small amount of rubbing alcohol to a soft cloth and gently clean the surface.

PET Panel Options

- Full whiteboard carts are available with five PET panel styles: Plain, Pagoda (Laser Cut), Tread (Laser Cut), Racetrack (Laser Cut).
- PET panels are secured by magnets for easy removal and reattachment.
- PET products offer acoustic properties and can function as tackboards.
- Note: PET panels are not available on both sides of the doors to ensure proper closure.

Nesting

- Illustrate units conveniently nest together for efficient storage when not in use.

Casters

- Equipped with 5" large casters for smooth, quiet mobility.
- Two locking and two non-locking casters ensure flexibility and secure positioning.

Doors

- Hinged doors open 180 degrees for complete access.
- Magnetic closures keep doors securely shut.
- Safety Warning: Avoid placing fingers between the doors to prevent injury.

COM (Customer's Own Material)

- Please note that COM (Customer's Own Material) is not available for the Hush fabric or PET boards.



Inside is Magnetic Dry Erase Board



Outside is PET Pagoda Pattern



3 units shown offset Nested for storage



Inside is standard as a Magnetic Dry-Erase Whiteboard.



PET Panel Options

- Full whiteboard carts are available with and without PET.
- Four PET panel styles choices: Plane, Pagoda (Laser Cut), Tread (Laser Cut), Racetrack (Laser Cut).
- For a sleek and refined appearance, we recommend adding the PET exterior skin to the back of your product. Without the PET, the frame tabs and silver screws will remain visible. The PET covering effectively conceals these components, providing a clean, polished finish that enhances the overall aesthetic.



Outside w/o PET is Magnetic Dry Erase Board



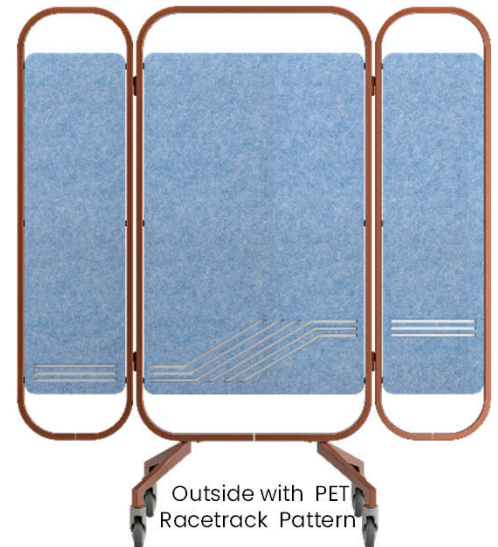
Outside with Plain PET



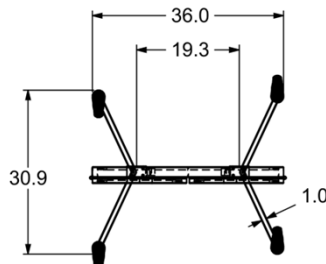
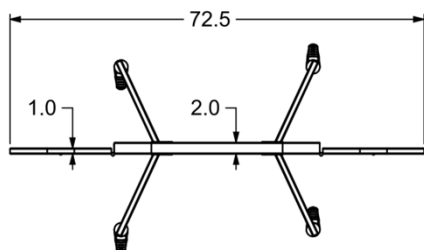
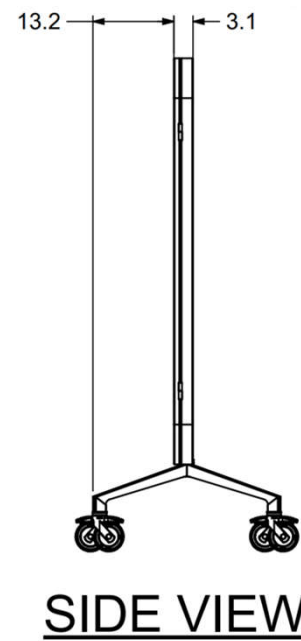
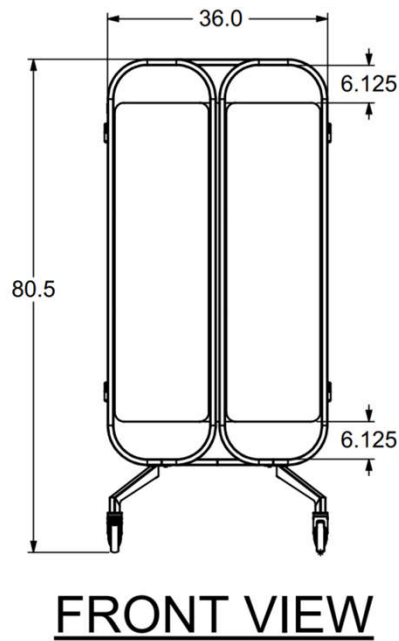
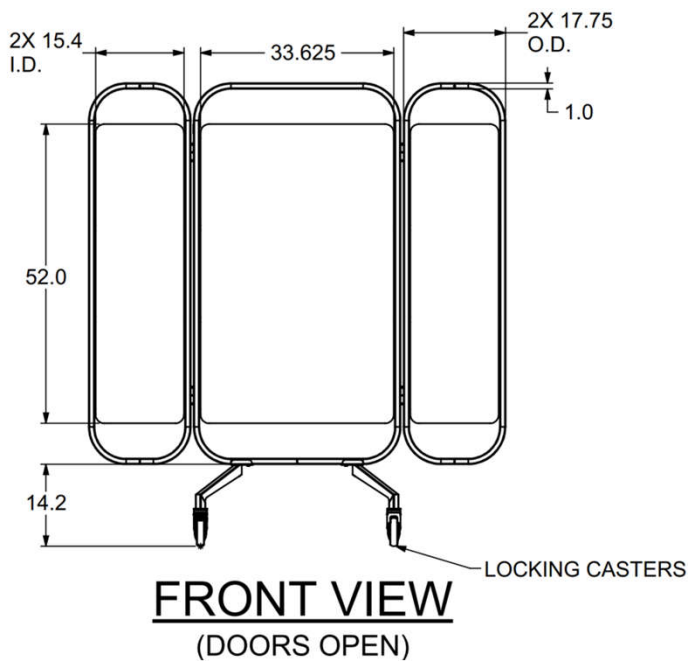
Outside with PET Pagoda Pattern



Outside with PET Tread Pattern



Outside with PET Racetrack Pattern

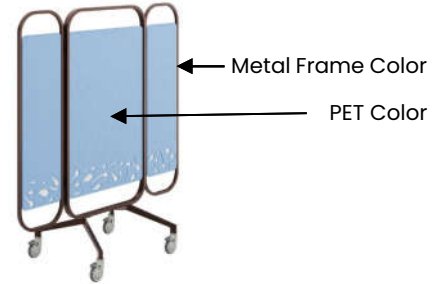


Front	Back	Model Code	Size	List Price
		No PET outside		
		GRIL WW	31" x 72.5" x 80.5"H	\$5,950
		PET outside (117 lbs.)		
		GRIL WP	31" x 72.5" x 80.5"H	\$8,440
		PET Pagoda Pattern outside (116 lbs.)		
		GRIL W2	31" x 72.5" x 80.5"H	\$8,440
		PET Tread Pattern outside (116 lbs.)		
		GRIL W3	31" x 72.5" x 80.5"H	\$8,440
		PET Racetrack Pattern outside (116 lbs.)		
		GRIL W4	31" x 72.5" x 80.5"H	\$8,440

To Order, Specify:

1. List Model Code
2. Finishes

Metal Frame Color:
 PET Color:



LIST ACCESSORIES AS SEPARATE LINE ITEMS

Model Code	Description	List Price
GRAC1	Magnetic holder Specify Metal Finish	\$200

NOTE:

- Please note that COM (Customer's Own Material) is not available for the Hush fabric.
- For a sleek and refined appearance, we recommend adding the PET exterior skin to the back of your product. Without the PET, the frame tabs and silver screws will remain visible. The PET covering effectively conceals these components, providing a clean, polished finish that enhances the overall aesthetic.



In The Round – Product Specifications

Tabletops

- Constructed from durable High-Pressure Laminate (HPL) surfaces
- Finished with resilient PVC edges for a clean, lasting appearance
- Thickness: 0.75"

Height Adjustability

- Height range: 29" to 42" Pneumatic height adjustment with an intuitive lever release
- Pneumatic cylinder assist ensures infinite stop positions with a no-bounce cylinder stop
- Steel roller glide system for smooth operation
- Safety-first design with an unintentional-release resistant lever and cable release
- Black columns for a sleek and modern look

Modesty Panels

- Available in three elegant laser-cut patterns:
 - Pagoda Pattern
 - Tread Pattern
 - Racetrack Pattern
- Customize your aesthetic by selecting contrasting colors for the inner and outer modesty panels, adding visual interest and privacy.

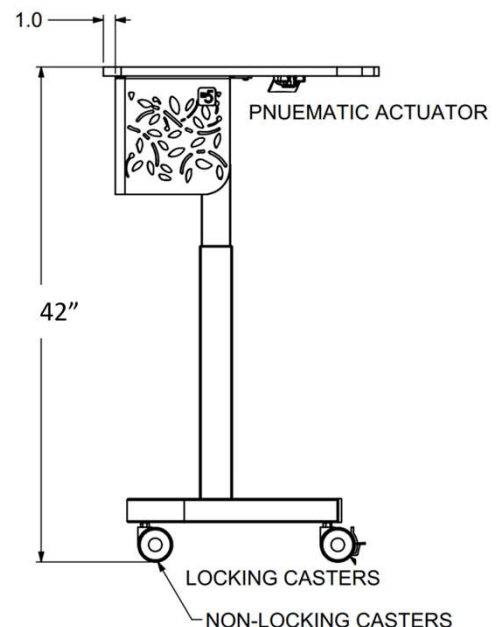
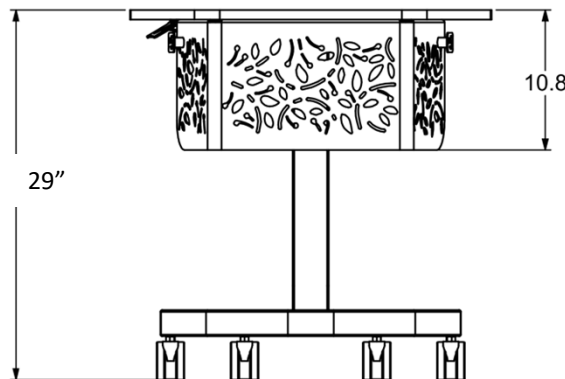
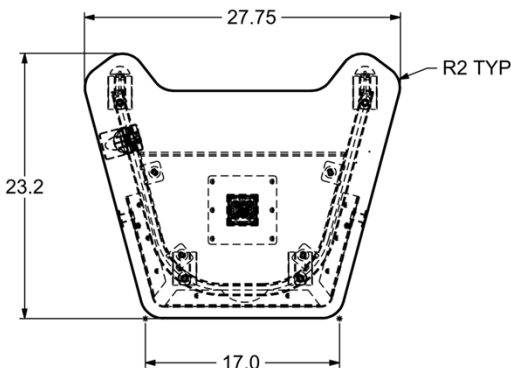
Pegs

- Integrated welded pegs provide sturdy support for backpacks, whiteboards, or supply cups
- Weight capacity: Up to 25 lbs per peg

Casters

- Designed for effortless mobility with two locking and two non-locking casters
- Offers flexibility and stability, making it easy to reposition your workstation

TOP VIEW
(TRANSPARENT)





In The Round Adjustable Workstations offers an ergonomic experience with pneumatic height-adjustable workstation designed for mobility. Effortlessly transition from sitting to standing with the squeeze of a lever. Enhance functionality with bag hooks, pencil holders, and whiteboard accessories. The decorative modesty panel is available in three laser-cut patterns, adding both visual interest and privacy making it an excellent choice for a personal desk or presentation podium.



Pagoda Pattern



Tread Pattern



Racetrack Pattern

Model Code	Tabletop Size	Weight Capacity	Weight of Table	List Price
------------	---------------	-----------------	-----------------	------------



GRIN2	24" x 28"	30 lbs.	60 lbs.	\$4,360
-------	-----------	---------	---------	---------



GRIN3	24" x 28"	30 lbs.	60 lbs.	\$4,300
-------	-----------	---------	---------	---------

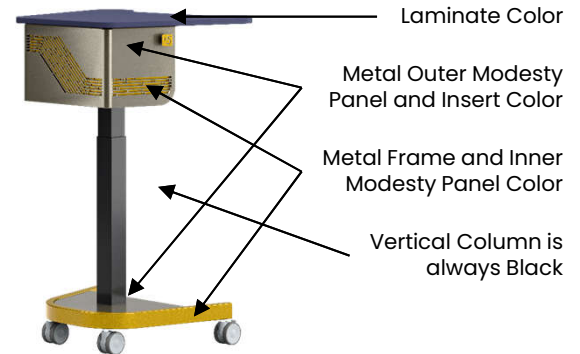


GRIN4	24" x 28"	30 lbs.	60 lbs.	\$4,280
-------	-----------	---------	---------	---------

To Order, Specify:

1. List Model Code
2. Finishes

Laminate Color:
 PVC Edge Color:
 Metal Outer Modesty Panel and Insert Color
 Metal Frame and Inner Modesty Panel Color



LIST ACCESSORIES AS SEPARATE LINE ITEMS

Model Code	Description	List Price
GRAC2	Two-sided whiteboard Specify PET Finish	\$170
GRAC3	PET supply cup Specify PET Finish	\$190
CUP	Swivel cup holder	\$150
WMAG.15	Magnetic wire manager 15" long Specify Metal Finish	\$220
WLOOP	Loop Clips	\$20
PTUCK.W	White Tuck Power	\$660

NOTE:

Note: While the table is designed to fit through standard doorways, it does not meet ADA requirements.

The In The Round weighs 60lbs.



Perimeter – Product Specifications

Perimeter Mobile Task Walls provide flexible solutions for privacy, space division, and information sharing. Equipped with locking casters, they can serve as message centers, research boards, or wayfinding points. When not in use, Perimeter Walls nest for efficient storage.

Metal Frame

- Built with a robust metal frame for superior durability and stability.
- Designed as standalone units, not for ganging.

Metal Bucket With and Without Hi5 Plants

- The metal frame and bucket are versatile, suitable for use with Hi5 plants or other items.
- With Hi5 Plants: Brackets required for installation are included with your order.
- Without Hi5 Plants: A magnetic Hush fabric liner will be provided to cover the bottom of the bucket.



Metal Shelves

- Fixed-height, non-adjustable shelves ensure sturdy support.
- Customize your look by selecting a contrasting color for the shelves and frame.
- Each shelf includes a magnetic Hush fabric liner for a sleek, sound-absorbing surface.

Magnetic Dry-Erase Whiteboard

- Magnetic Dry-Erase Whiteboard with easy-to-clean, ghosting-resistant surface.
- Glossy Surface supports projection, although image quality may vary due to reflectivity and projector brightness.

Whiteboard Care Instructions

- Clean with a soft, damp cloth and mild soap solution.
- Rinse with clean water and dry with a soft cloth.
- For stubborn stains, use a nonabrasive cleanser like Formula 409®.
- Avoid using permanent markers.
- If necessary, remove permanent ink using one of two methods:
 - Write over the permanent marker with a dry-erase marker and wipe clean with a microfiber cloth.
 - Apply a small amount of rubbing alcohol to a soft cloth and gently clean the surface.



No Pattern

Racetrack Pattern

Tread Pattern

Pagoda Pattern

PET Panel Options

- Full whiteboard carts are available with four PET panel styles: Plain, Pagoda (Laser Cut), Tread (Laser Cut), Racetrack (Laser Cut).
- Half whiteboard carts are available only with plain PET panels.
- Perimeter carts with half whiteboards are not offered with the laser cut patterns.
- PET panels are available on both sides.
- PET panels are secured by magnets for easy removal and reattachment.
- PET products offer acoustic properties and can function as tackboards.

Nesting

- Perimeter units conveniently nest together for efficient storage when not in use.

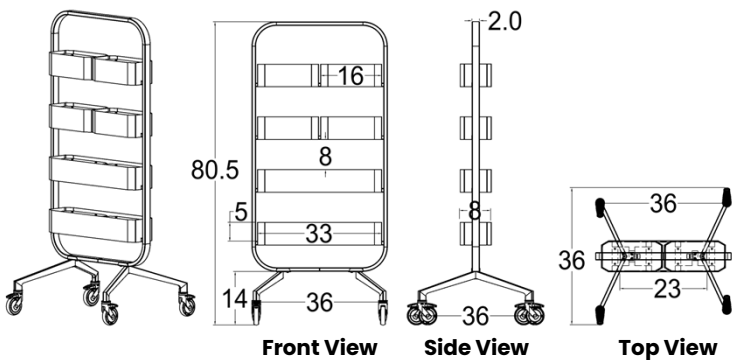
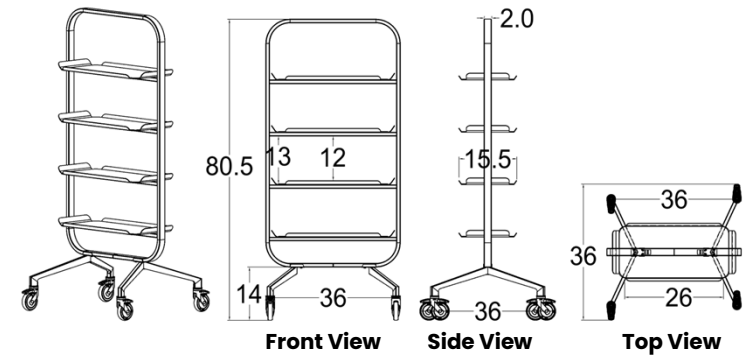
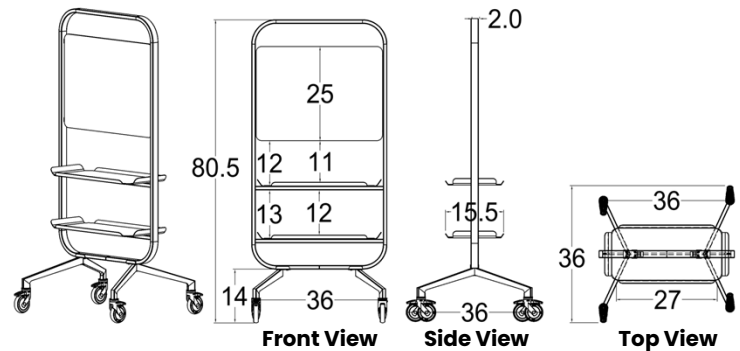
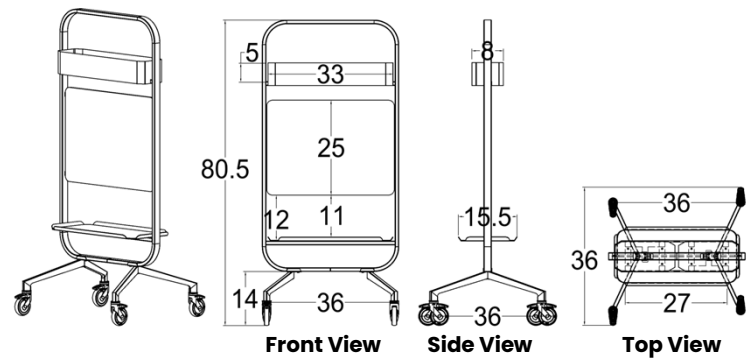
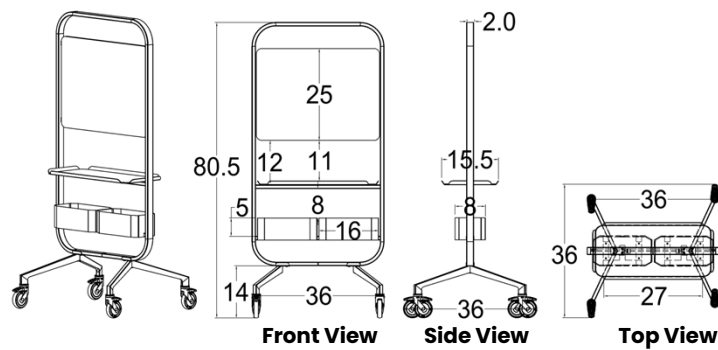
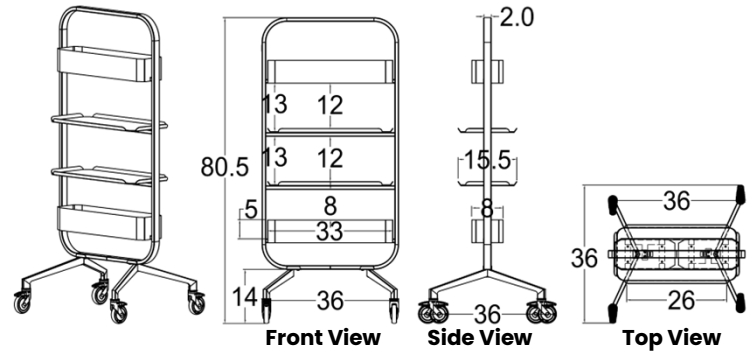
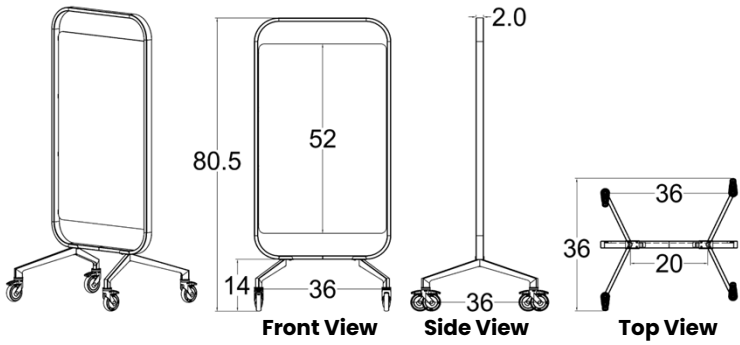


Casters

- Equipped with 5" large casters for smooth, quiet mobility.
- Two locking and two non-locking casters ensure flexibility and secure positioning.

COM (Customer's Own Material)

- Please note that COM (Customer's Own Material) is not available for the Hush fabric or PET boards.



- All Gather Perimeter part numbers begin with GRPE. When creating your part number, list the desired features in order from top to bottom.
- With hundreds of possible configurations, we've listed the most popular configurations below. If you're interested in a quote for a different configuration, please email us at Sales@Hi5Furniture.com.
- For detailed information on the number of zones per cart, please refer to the specification pages.

Code	Code Meaning
WW	Double Sided White Board
PP	Double Sided PET Board
WP	White Board one side & PET on back
W2	White Board one side & PET with Pagoda on back
W3	White Board one side & PET with Tread on back
W4	White Board one side & PET with Racetrack on back
L	Long Bucket
H	Set of 2 Half Buckets
S	Shelf

The full whiteboard takes up 4 zones

The half whiteboard takes up 2 zones

The half PET board takes up 2 zones

The full PET board takes up 4 zones

Zone 1 (Top Row)

Zone 2 (2nd Row)

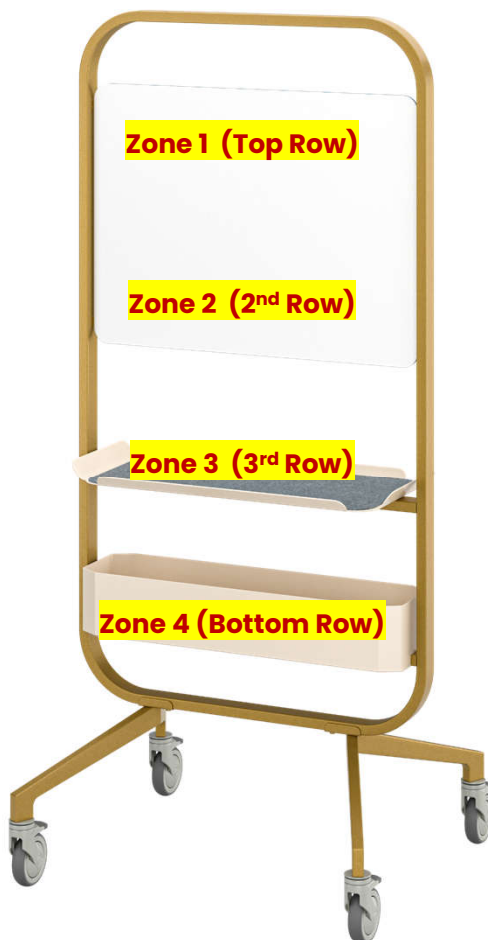
Zone 3 (3rd Row)

Zone 4 (Bottom Row)

Shelf takes up 1 zone

Two Half Bucket takes up 1 zone

One Long Bucket takes up 1 zone



- For detailed information on the number of zones per cart, please refer to the specification pages.

Code	Code Meaning
PP	Double Sided PET Board
WP	White Board one side & PET on back
W2	White Board one side & PET with Pagoda on back
W3	White Board one side & PET with Tread on back
W4	White Board one side & PET with Racetrack on back

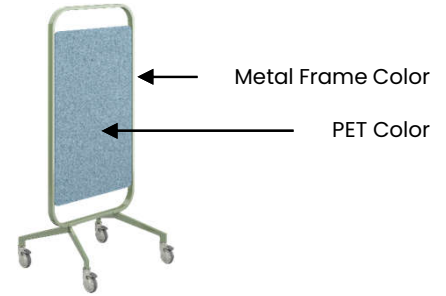
Front	Back	Model Code	List price
		GRPE WW	\$3,730
		GRPE PP	\$4,830
		GRPE WP	68 lbs. \$4,280
		GRPE W2	\$4,830
		GRPE W3	\$4,830
		GRPE W4	\$4,830

To Order, Specify:

1. List Model Code

2. Finishes

Metal Frame Color:
PET Color if applicable):



LIST ACCESSORIES AS SEPARATE LINE ITEMS

Model Code	Description	List Price
GRAC1	Magnetic holder Specify Metal Finish	\$200

NOTE:

- Please note that COM (Customer's Own Material) is not available for the Hush fabric.
- For a sleek and refined appearance, we recommend adding the PET exterior skin to the back of your product. Without the PET, the frame tabs and silver screws will remain visible. The PET covering effectively conceals these components, providing a clean, polished finish that enhances the overall aesthetic.

- All Gather Perimeter part numbers begin with GRPE. When creating your part number, list the desired features in order from top to bottom.
- With hundreds of possible configurations, we've listed the most popular configurations below. If you're interested in a quote for a different configuration, please email us at Sales@Hi5Furniture.com.
- For detailed information on the number of zones per cart, please refer to the specification pages.

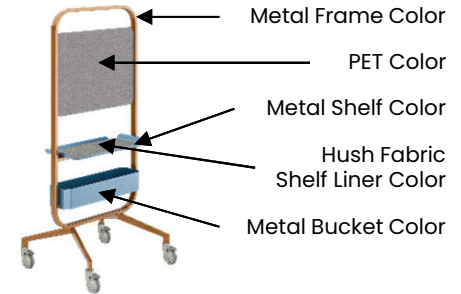
Code	Code Meaning
WW	Double Sided White Board
PP	Double Sided PET Board
WP	White Board one side & PET on back
L	Long Bucket
H	Set of 2 Half Buckets
S	Shelf

Front	Back	Model Code	List price
		GRPE WWSS	\$4,990
		GRPE PPSS	\$6,090
		GRPE WPLS	101 lbs. \$5,830
		GRPE WPHS	\$6,420
		GRPE WPSS	\$5,540
		GRPE WPLL	\$6,120

To Order, Specify:

- List Model Code
- Finishes

Metal Frame Color:
 PET Color:
 Metal Shelf Color:
 Hush Fabric Shelf Liner Color:
 Metal Bucket Color:



LIST ACCESSORIES AS SEPARATE LINE ITEMS

Model Code	Description	List Price
GRAC1	Magnetic holder Specify Metal Finish	\$200
GRAC2	Two-sided whiteboard Specify PET Finish	\$170
GRAC3	PET supply cup Specify PET Finish	\$190
GRAC4	Stackable PET bin Specify PET Finish	\$570
GR.16Jungle	Live Maintenance-Free Plant	\$1,120
GR.32Jungle	Live Maintenance-Free Plant	\$2,240
GR.16Moss	Live Maintenance-Free Plant	\$880
GR.32.Moss	Live Maintenance-Free Plant	\$1,670

NOTE:

- Planters are not intended to hold water
- Please note that COM (Customer's Own Material) is not available for the Hush fabric.
- For a sleek and refined appearance, we recommend adding the PET exterior skin to the back of your product. Without the PET, the frame tabs and silver screws will remain visible. The PET covering effectively conceals these components, providing a clean, polished finish that enhances the overall aesthetic.

- All Gather Perimeter part numbers begin with GRPE. When creating your part number, list the desired features in order from top to bottom.
- With hundreds of possible configurations, we've listed the most popular configurations below. If you're interested in a quote for a different configuration, please email us at Sales@Hi5Furniture.com.
- For detailed information on the number of zones per cart, please refer to the specification pages.

Code	Code Meaning
WW	Double Sided White Board
PP	Double Sided PET Board
WP	White Board one side & PET on back
L	Long Bucket
H	Set of 2 Half Buckets
S	Shelf

Front	Back	Model Code	Weight	List price
		GRPE LWWS		\$5,280



No image available

GRPE LWPS	101 lbs.	\$5,830
-----------	----------	---------

		GRPE HWWH	\$7,300
--	--	-----------	---------

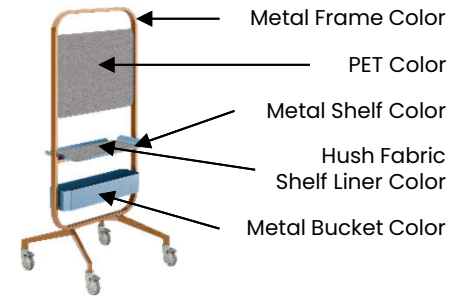
		GRPE HPPH	\$8,640
--	--	-----------	---------

		GRPE HWPH	\$8,090
--	--	-----------	---------

To Order, Specify:

- List Model Code
- Finishes

Metal Frame Color:
 PET Color:
 Metal Shelf Color:
 Hush Fabric Shelf Liner Color:
 Metal Bucket Color:



LIST ACCESSORIES AS SEPARATE LINE ITEMS

Model Code	Description	List Price
GRAC1	Magnetic holder Specify Metal Finish	\$200
GRAC2	Two-sided whiteboard Specify PET Finish	\$170
GRAC3	PET supply cup Specify PET Finish	\$190
GRAC4	Stackable PET bin Specify PET Finish	\$570
GR.16Jungle	Live Maintenance-Free Plant	\$1,120
GR.32Jungle	Live Maintenance-Free Plant	\$2,240
GR.16Moss	Live Maintenance-Free Plant	\$880
GR.32.Moss	Live Maintenance-Free Plant	\$1,670

NOTE:

- Planters are not intended to hold water
- Please note that COM (Customer's Own Material) is not available for the Hush fabric.
- For a sleek and refined appearance, we recommend adding the PET exterior skin to the back of your product. Without the PET, the frame tabs and silver screws will remain visible. The PET covering effectively conceals these components, providing a clean, polished finish that enhances the overall aesthetic.

- All Gather Perimeter part numbers begin with GRPE. When creating your part number, list the desired features in order from top to bottom.
- With hundreds of possible configurations, we've listed the most popular configurations below. If you're interested in a quote for a different configuration, please email us at Sales@Hi5Furniture.com.
- For detailed information on the number of zones per cart, please refer to the specification pages.

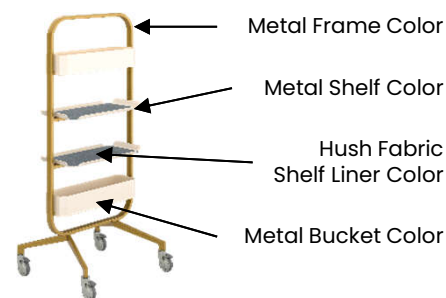
Code	Code Meaning
L	Long Bucket
H	Set of 2 Half Buckets
S	Shelf

Front	Back	Model Code	List price
		GRPE HHHH	\$9,810
		GRPE LSSS	\$5,830
		GRPE LSSL	\$6,870
		GRPE LLSS	\$6,870
		GRPE LLLL	\$7,440
		GRPE SSSS	\$6,300

To Order, Specify:

- List Model Code
- Finishes

Metal Frame Color:
 Metal Shelf Color:
 Hush Fabric Shelf Liner Color:
 Metal Bucket Color:



LIST ACCESSORIES AS SEPARATE LINE ITEMS

Model Code	Description	List Price
GRAC1	Magnetic holder Specify Metal Finish	\$200
GRAC2	Two-sided whiteboard Specify PET Finish	\$170
GRAC3	PET supply cup Specify PET Finish	\$190
GRAC4	Stackable PET bin Specify PET Finish	\$570
GR.16Jungle	Live Maintenance-Free Plant	\$1,120
GR.32Jungle	Live Maintenance-Free Plant	\$2,240
GR.16Moss	Live Maintenance-Free Plant	\$880
GR.32.Moss	Live Maintenance-Free Plant	\$1,670

NOTE:

- Planters are not intended to hold water
- Please note that COM (Customer's Own Material) is not available for the Hush fabric.



Provision Service Cart – Product Specifications

Provision Service Cart is designed for flexibility, it offers storage for whiteboard sheets, markers, and office essentials. Thoughtfully designed with soft Hush fabric details on the handle and shelves, it adds a comfortable, tactile touch. It can also serve as a coffee station, snack cart, printer stand, or hospitality cart.

PET Bins

- Optional PET bins are available for purchase separately.
- Designed to sit neatly on the shelves, they provide organized storage and keep supplies within easy reach.

Shelves

- Fixed-height, non-adjustable shelves ensure sturdy support.
- Maximum number of shelves per unit is three shelves – customization of shelf quantity or placement is not available.
- Customize your look by selecting a contrasting color for the shelves and frame.
- Each shelf includes a magnetic Hush fabric liner for a sleek, sound-absorbing surface.

Pegs

- Standard welded pegs securely hold backpacks, whiteboards, or supply cups, supporting up to 25 lbs.
- Includes a built-in cord wrap for easy cable management, ideal for keeping printer or device cords organized.

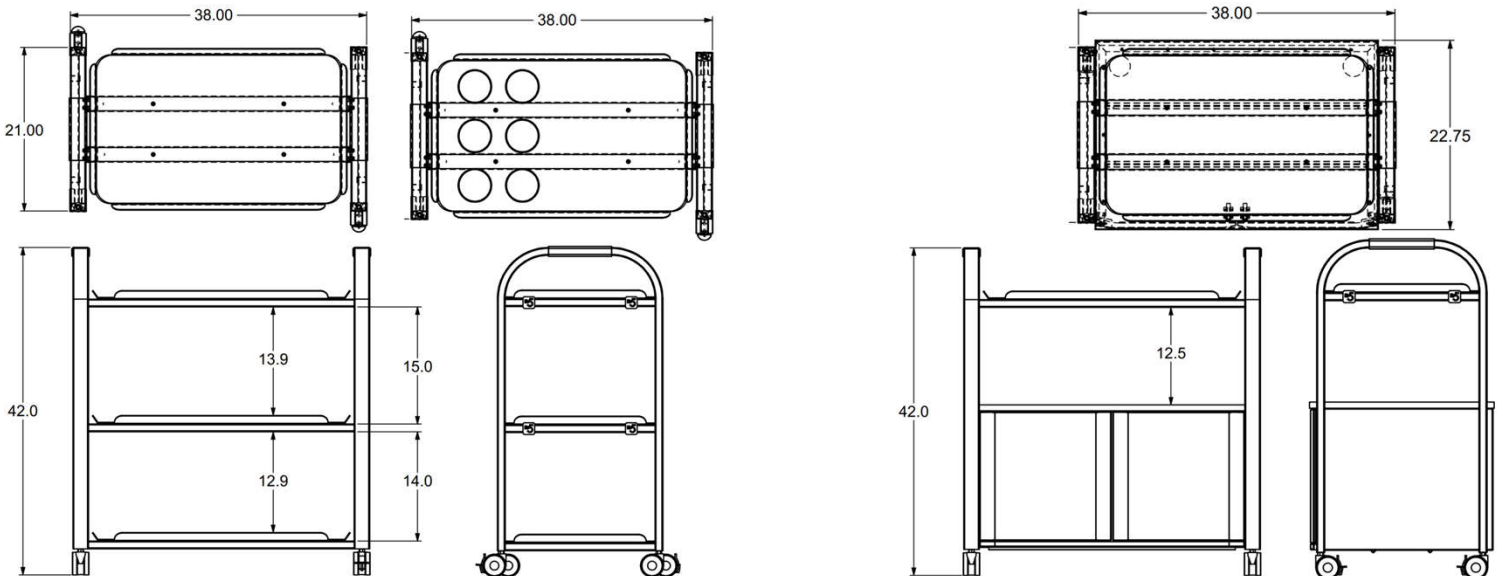
Casters

- Enjoy easy mobility with two locking and two non-locking casters, providing both flexibility and stability.

Cabinet

- Metal cabinet doors feature touch latches and open to a 90-degree angle for easy access.
- Locks are not available, and the doors are not removable.
- HPL doors are not available.

When the Tuck Power option is ordered, it comes with a convenient mounting bracket for secure installation. Additionally, the built-in pegs serve a dual purpose as a cord wrap, providing an efficient solution for managing cables. This thoughtful design keeps cords neatly organized and prevents tangling, ensuring a clean and clutter-free workspace.



Model Code	Description	Size	List Price
------------	-------------	------	------------



GRPRSSS	3 shelves (123lbs.)	21" x 38" x 42"H	\$6,180
---------	---------------------	------------------	---------



GRPRSSS6	shelves w/holes	21" x 38" x 42"H	\$6,420
----------	-----------------	------------------	---------



GRPRSC	Cabinet (125lbs.)	21" x 38" x 42"H	\$7,540
--------	-------------------	------------------	---------

To Order, Specify:

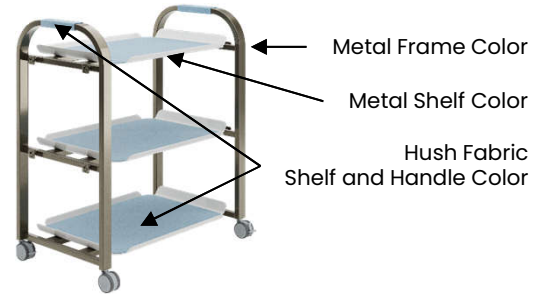
- List Model Code
- Finishes

Shelf Model

Metal Frame Color:

Metal Shelf Color:

Hush Fabric Shelf and Handle Wrap Color:



Cabinet Model

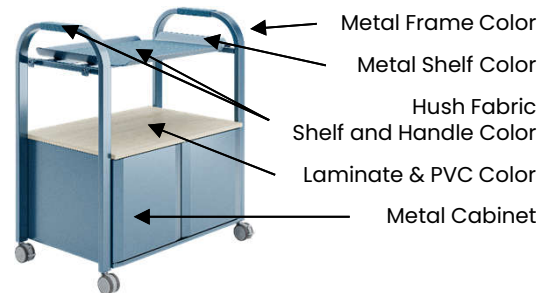
Metal Frame Color:

Metal Shelf Color:

Hush Fabric Shelf and Handle Wrap Color:

Laminate & PVC Color:

Metal Cabinet Color:



LIST ACCESSORIES AS SEPARATE LINE ITEMS

Model Code	Description	List Price
GRAC2	Two-sided whiteboard Specify PET Finish	\$170
GRAC3	PET supply cup Specify PET Finish	\$190
GRAC4	Stackable PET bin Specify PET Finish	\$570
WMAG.30	Magnetic wire manager 30" long Specify Metal Finish	\$390
GB	Black Grommet	\$40
GS	Silver Grommet Select Location Code	\$40
PTUCK.W	White Tuck Power w/ brackets	\$1,220

NOTE:

- Please note that COM (Customer's Own Material) is not available for the Hush fabric.



Wire Management



4 black adhesive clips are provided to neatly secure power cords along the feet of the Venue.

Venue Video Pier Support seamless video conferencing with the Venue Video Pier. Featuring a sleek adjustable camera mount and space for up to a 66" TV, it accommodates a Logitech Rally Bar above or below the display. Integrated power management and acoustic PET panels ensure a distraction-free environment by absorbing sound.

Mobile stand is designed for flat-panel displays from 48" to 66"

- The Venue allows one to bring their own technology application to the table. Customers are responsible for bringing and integrating technology and audio-visual components.
- Consult an AV or IT professional early in the design process for potential technology applications.
- No larger than 66" monitors should be used on the mobile media cart with a maximum 70 pounds weight capacity.

Features Include:

- Cart includes integrated Tuck power is standard with a 10' standard braided cord. Tuck Power includes 2 Outlets; USB-A; USB-C
- Cabinet Integrated Cove Power includes 2 Outlets; USB-A; USB-C
- Cabinet includes 3" grommet in black or silver
- Wire manager is included and powder coated to match the frame color.
- Removeable PET back cover

Shelves

- Fixed-height, non-adjustable shelves ensure sturdy support.
- Customize your look by selecting a contrasting color for the shelves and frame.
- Each shelf includes a magnetic Hush fabric liner for a sleek, sound-absorbing finish.

Pegs

- Designed with a built-in cord wrap, perfect for managing power cables.
- Built in tray provides a convenient place to put small CPU or other technology and storage power cords.

Casters

- Enjoy easy mobility with 360 degree locking casters.

Cabinet

- The cabinet body is metal. The tabletop is 3/4" thick laminate with PVC edges.
- Metal cabinet doors includes touch latches and open 90 degrees. Locks are not available.

PET Bins

- Optional PET bins, ordered separately, sit on the cart shelves to provide storage.



TV Mount Specifications:

Tripp Lite series Tilt TV Mount for 48" to 66" displays

Tripp Lite Part Number: DWT4585X

- Designed for flat-panel displays from 48" to 66"
- Supports up to 70 lbs. TV
- -10° to +10° tilt capability for comfortable viewing
- Improves viewing angles in applications where audience is below the display
- Adjustable mounting rails compensate for unlevel floors with built-in bubble level for accurate
- Mount weights 6.75 lbs.
- Scratch-resistant powder-coated finish



VESA Compliance - Supports the following VESA mounting hole patterns:

200 x 200 mm, 200 x 300 mm, 200 x 400 mm, 300 x 200 mm, 300 x 300 mm, 300 x 400 mm, 400 x 200 mm, 400 x 300 mm, 400 x 400 mm, 500 x 300 mm, 500 x 400 mm, 600 x 300 mm, 600 x 400 mm, 800 x 300 mm and 800 x 400 mm

Mounting hardware included:

- (4) M5 x 14 screws
- (4) M6 x 14 screws
- (4) M6 x 30 screws
- (4) M8 x 20 screws
- (4) M8 x 30 screws
- (4) Washers
- (8) Small spacers
- (4) Big spacers
- (6) Anchor bolts
- (6) Concrete anchors
- (6) D6 washers

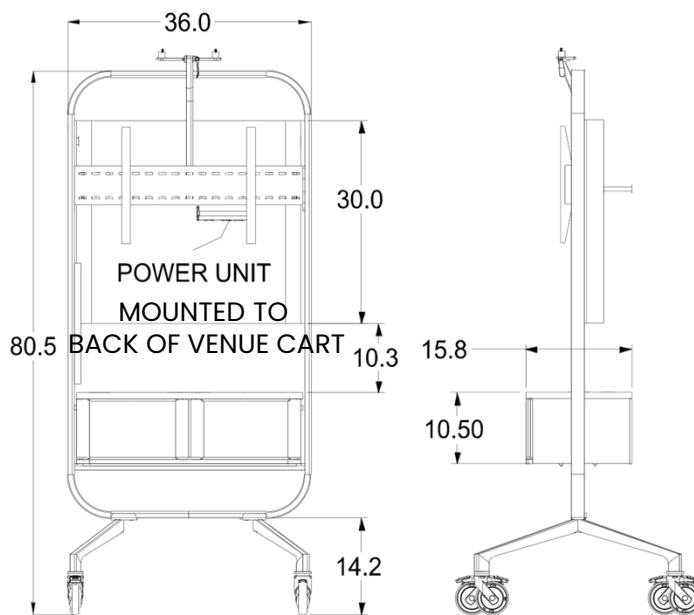
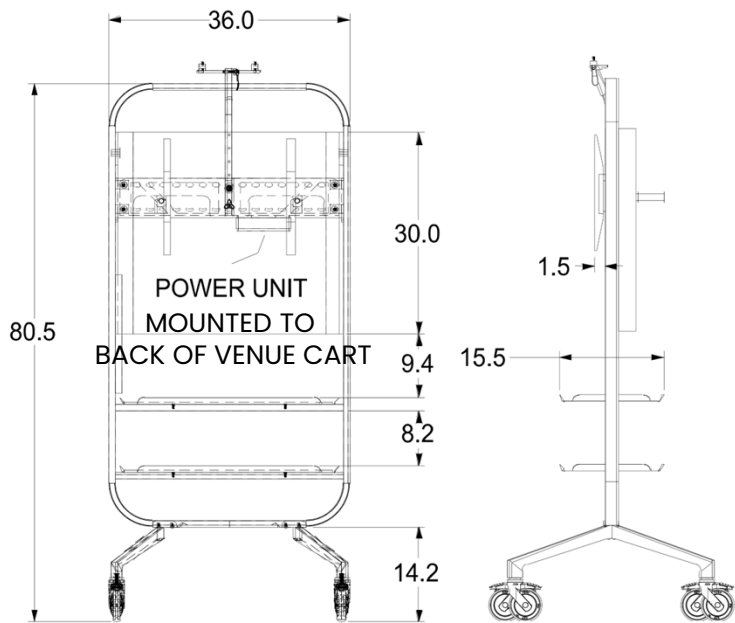
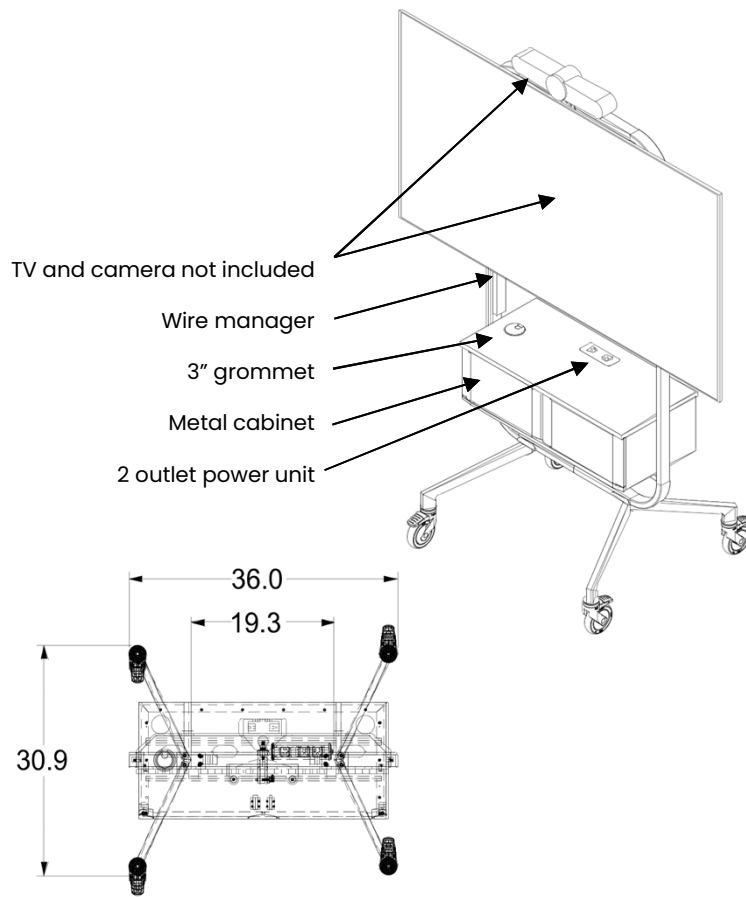
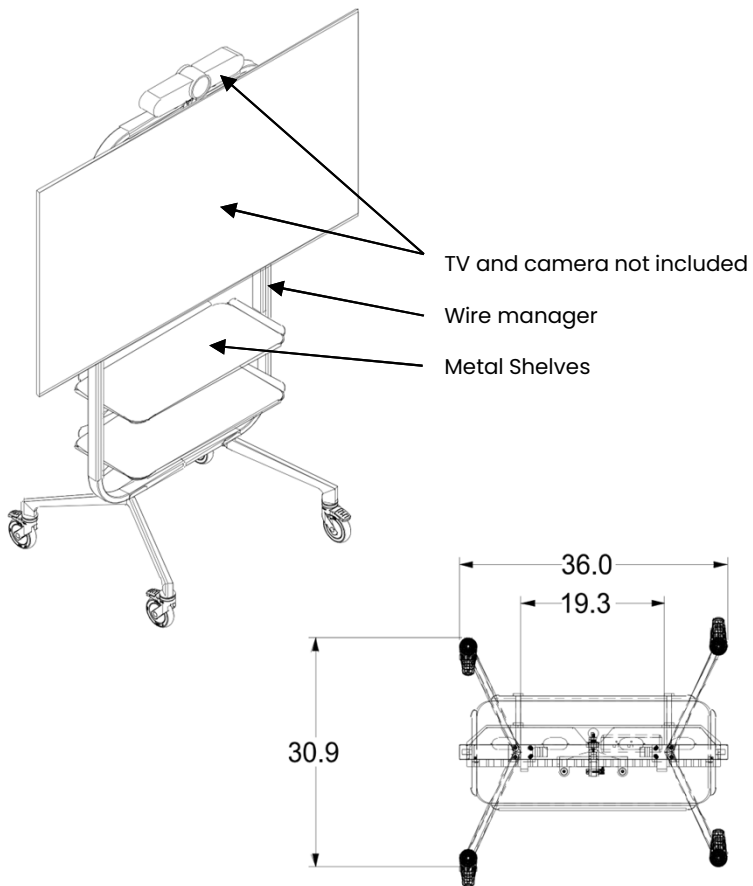


Camera Mount Features:

The Venue Cart includes a versatile, adjustable camera mount designed to accommodate a range of AV devices, including the Logitech Rally Bar, known for its larger size and weight. The mount can be easily adjusted to suit different meeting formats — position it above the TV for standing presentations or below the TV for seated discussions to ensure ideal camera angles and clear visibility.

For added stability, the mount is equipped with a durable tightening lever that securely locks your AV equipment in place, minimizing movement and vibrations during use. This thoughtful design ensures a professional and uninterrupted video conferencing experience.





Model Code	Description	Size	List Price
------------	-------------	------	------------

GRVESS	2 Shelves	36" x 31" x 80.5"H	\$9,650
--------	-----------	--------------------	---------

- Model Includes
- Tuck Power (2 Outlets; USB-A; USB-C)
 - 15" long wire manager
 - PET Back Cover
 - Frame Includes: Frame, feet on casters, TV mount; adjustable camera mount; bracket to secure the power unit, and built-in horizontal wire tray.

GRVELL	2 Long Buckets	36" x 31" x 80.5"H	\$11,260
--------	----------------	--------------------	----------

- Model Includes
- Tuck Power (2 Outlets; USB-A; USB-C)
 - 15" long wire manager
 - PET Back Cover
 - Frame Includes: Frame, feet on casters, TV mount; adjustable camera mount; bracket to secure the power unit, and built-in horizontal wire tray.

GRVELS	Bucket/Shelf	36" x 31" x 80.5"H	\$10,450
--------	--------------	--------------------	----------

- Model Includes
- Tuck Power (2 Outlets; USB-A; USB-C)
 - 15" long wire manager
 - PET Back Cover
 - Frame Includes: Frame, feet on casters, TV mount; adjustable camera mount; bracket to secure the power unit, and built-in horizontal wire tray.
 - 97 bs. per unit with PET w/o TV

GRVEC	Cabinet	36" x 31" x 80.5"H	\$12,690
-------	---------	--------------------	----------

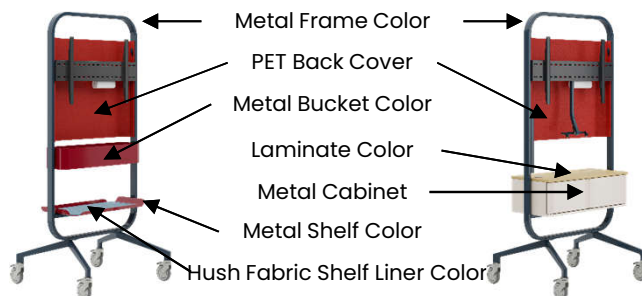
- Model Includes
- Tuck Power (2 Outlets; USB-A; USB-C)
 - Cove Power (2 Outlets; USB-A; USB-C)
 - 3" grommet
 - 15" long wire manager
 - PET Back Cover
 - Frame Includes: Frame, feet on casters, TV mount; adjustable camera mount; bracket to secure the power unit, and built-in horizontal wire tray.
 - 101 bs. per unit with PET w/o TV

To Order, Specify:

1. List Model Code
2. Finishes

Shelf & Bucket Models

- Metal Frame Color:
 PET:
 Metal Long Bucket Color:
 Metal Shelf Color:
 Hush Fabric Shelf Liner Color:
 Wire manager: match frame color



Cabinet Model

- Metal Frame Color:
 Laminate Color:
 PVC Edge Color:
 Metal Cabinet Color:
 PET:
 Grommet Color: Black or Silver
 Cove Power Unit Color: Black or Silver
 Wire manager: match frame color

LIST ACCESSORIES AS SEPARATE LINE ITEMS

Model Code	Description	List Price
GRAC2	Two-sided whiteboard Specify PET Finish	\$170
GRAC3	PET supply cup Specify PET Finish	\$190
GRAC4	Stackable PET bin Specify PET Finish	\$570
GR.16Jungle	Live Maintenance-Free Plant	\$1,120
GR.32Jungle	Live Maintenance-Free Plant	\$2,240
GR.16Moss	Live Maintenance-Free Plant	\$880
GR.32.Moss	Live Maintenance-Free Plant	\$1,670

NOTE:

- Planter is not intended to hold water
- Please note that COM (Customer's Own Material) is not available for the Hush fabric.