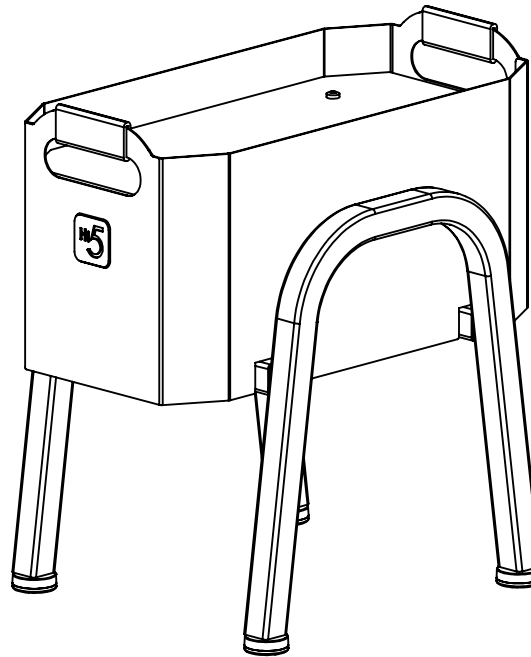


\\hi5dcfs1\common\Hi5 Engineering\Hi5 Engineering OLD\_ARCHIVED FILES\ARCHIVED GATHER\GRAT - ATMOSPHERE\CUSTOMER DRAWINGS\GRAT16.L

ITEM NO.	PART NUMBER	DESCRIPTION	QTY.
1	GRAT.P.8x16.XX	Plants	1
2	GRHUSH.H.3x3.XX	Velcro material wrap	2
3	GRAT16.L-F.XX+	Planter base	1
4	GRAT-P.XX-L.XX+	Wide planter	1



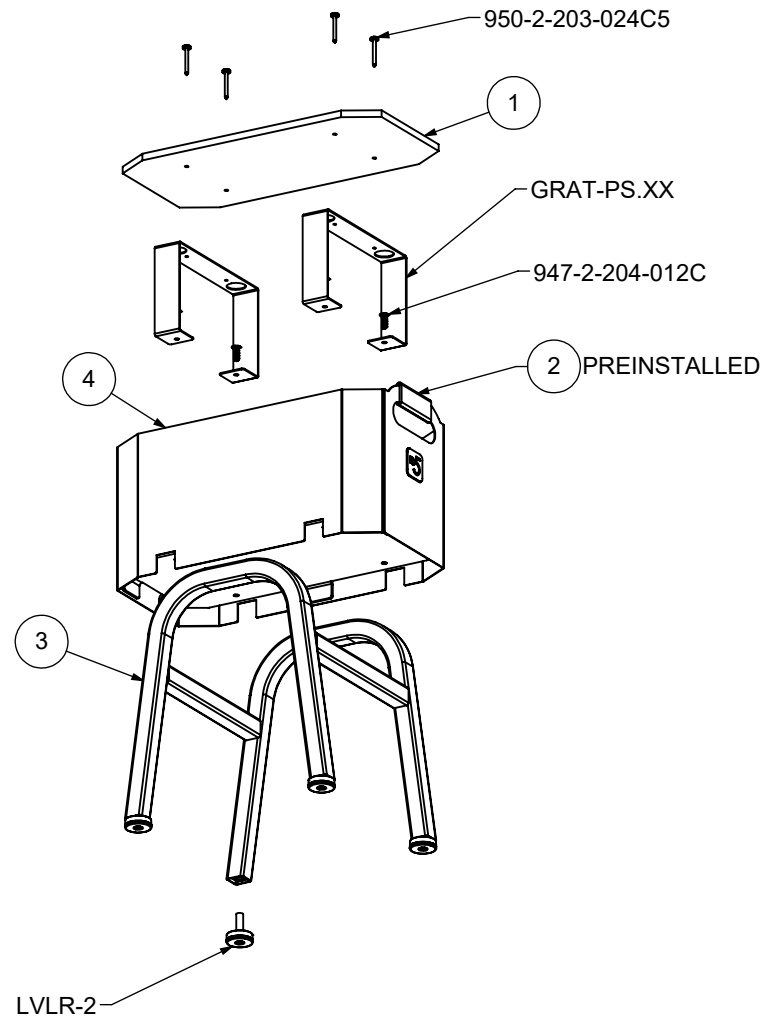
# Gather Collection

## Atmosphere - Botanical Stands

Model Code:  
GRAT16.L

<b>Hi5 Furniture, Inc.</b>			
<b>PROPRIETARY AND CONFIDENTIAL</b>	NOMINAL DIMENSIONS ± 1.00"		
<small>THIS DRAWING IS THE PROPERTY OF HI5 FURNITURE, INC. THE DRAWING NOR THE ITEMS THEREON ARE TO BE REPRODUCED, REDISTRIBUTED OR USED IN ANY MANNER NOT AUTHORIZED IN WRITING BY AN OFFICER OR AGENT THEREOF.</small>	Date Created: 8/1/2024		Drawn By: Bryan
	Revision: A		Scale: 1:6
Sheet 1 of 3			

CUSTOMER APPROVAL & ASSEMBLY DRAWING

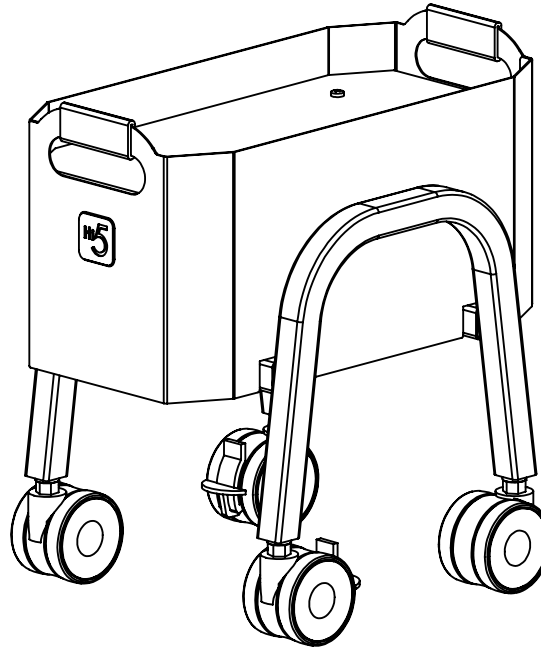


# Gather Collection Atmosphere - Botanical Stands

Model Code:  
GRAT16.L

<b>Hi5 Furniture, Inc.</b>		
<b>PROPRIETARY AND CONFIDENTIAL</b>	NOMINAL DIMENSIONS ± 1.00"	
THIS DRAWING IS THE PROPERTY OF HI5 FURNITURE, INC. THE DRAWING NOR THE ITEMS THEREON ARE TO BE REPRODUCED, REDISTRIBUTED OR USED IN ANY MANNER NOT AUTHORIZED IN WRITING BY AN OFFICER OR AGENT THEREOF.	Date Created: 8/1/2024 Drawn By: Bryan Revision: A Scale: 1:10	
Sheet 2 of 3		

ITEM NO.	PART NUMBER	DESCRIPTION	QTY.
1	GRAT.P.8x16.XX	Plants	1
2	GRHUSH.H.3x3.XX	Velcro material wrap	2
3	GRAT16-F.XX+	Planter base	1
4	GRAT-P.XX-L.XX+	Wide planter	1



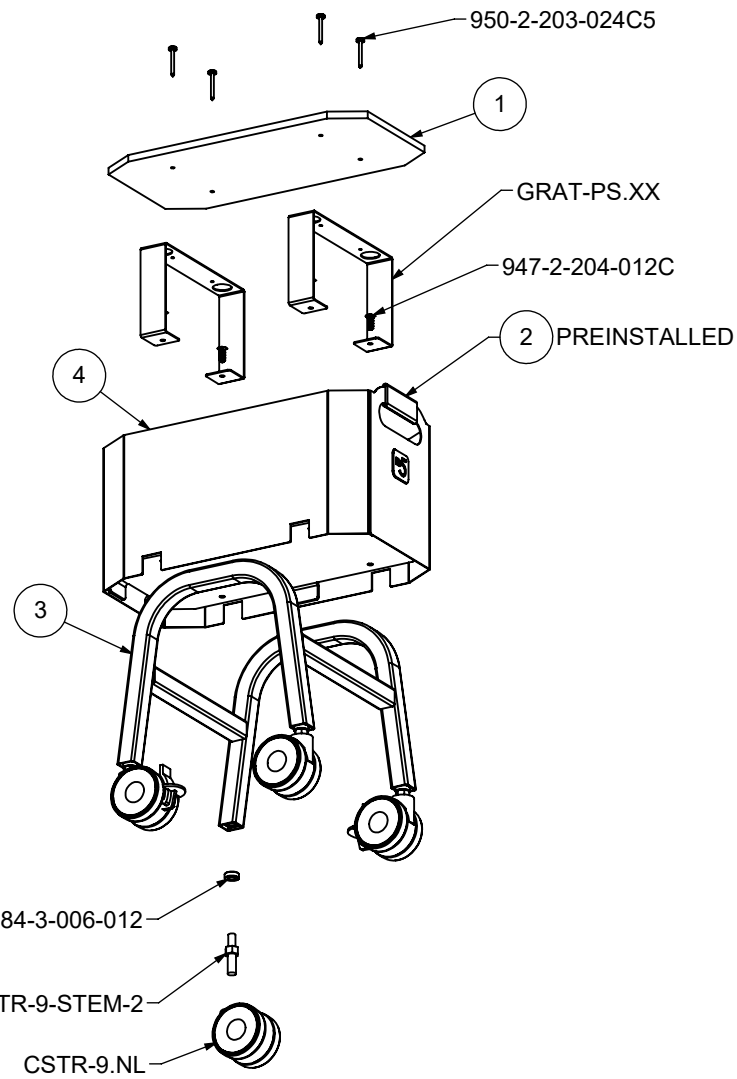
# Gather Collection Atmosphere - Botanical Stands

Model Code:  
**GRAT16**

<b>Hi5 Furniture, Inc.</b>						
<b>PROPRIETARY AND CONFIDENTIAL</b>	NOMINAL DIMENSIONS ± 1.00"					
THIS DRAWING IS THE PROPERTY OF HI5 FURNITURE, INC. THE DRAWING NOR THE ITEMS THEREON ARE TO BE REPRODUCED, REDISTRIBUTED OR USED IN ANY MANNER NOT AUTHORIZED IN WRITING BY AN OFFICER OR AGENT THEREOF.	<table border="1"> <tr> <td>Date Created: 8/1/2024</td> <td>Drawn By: Bryan</td> </tr> <tr> <td>Revision: A</td> <td>Scale: 1:6</td> </tr> </table>		Date Created: 8/1/2024	Drawn By: Bryan	Revision: A	Scale: 1:6
Date Created: 8/1/2024	Drawn By: Bryan					
Revision: A	Scale: 1:6					
Sheet 1 of 3						

\\hi5dcfs1\common\Hi5\_Engineering\COLLECTIONS\GATHER\GRAT - Atmosphere\CUSTOMER DRAWINGS\GRAT16

CUSTOMER APPROVAL & ASSEMBLY DRAWING

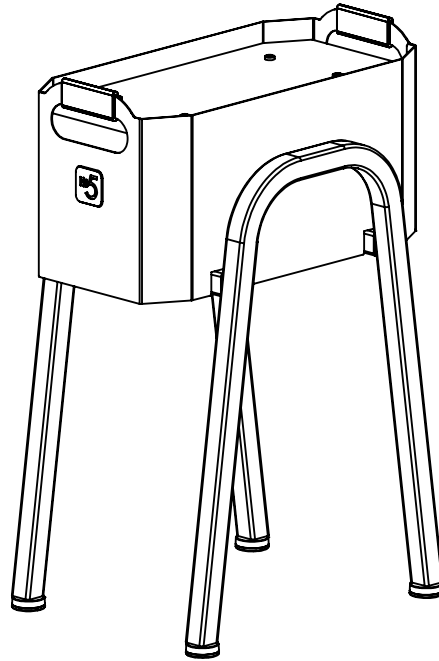


# Gather Collection Atmosphere - Botanical Stands

Model Code:  
**GRAT16**

<b>Hi5 Furniture, Inc.</b>			
<b>PROPRIETARY AND CONFIDENTIAL</b>			
<small>NOMINAL DIMENSIONS ± 1.00"</small>			
<small>THIS DRAWING IS THE PROPERTY OF HIS FURNITURE, INC. THE DRAWING NOR THE ITEMS THEREON ARE TO BE REPRODUCED, REDISTRIBUTED OR USED IN ANY MANNER NOT AUTHORIZED IN WRITING BY AN OFFICER OR AGENT THEREOF.</small>			
Date Created:	8/1/2024	Drawn By:	Bryan
Revision:	A	Scale:	1:10
Sheet 2 of 3			

ITEM NO.	PART NUMBER	DESCRIPTION	QTY.
1	GRAT.P.8x16.XX	Plants	1
2	GRHUSH.H.3x3.XX	Velcro material wrap	2
3	GRAT23.L-F.XX+	Planter base	1
4	GRAT-P.XX-L.XX+	Wide planter	1



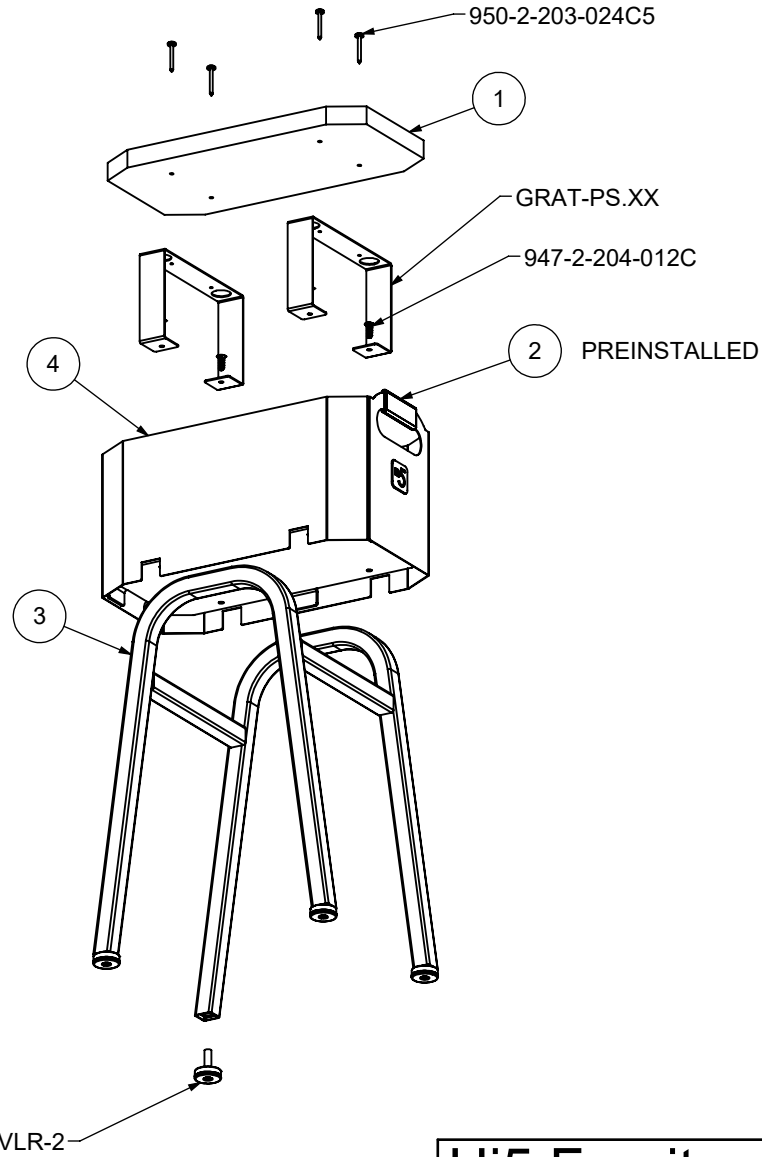
# Gather Collection

## Atmosphere - Botanical Stands

Model Code:  
GRAT23.L

<b>Hi5 Furniture, Inc.</b>		
<b>PROPRIETARY AND CONFIDENTIAL</b>	NOMINAL DIMENSIONS ± 1.00"	
THIS DRAWING IS THE PROPERTY OF HIS FURNITURE, INC. THE DRAWING NOR THE ITEMS THEREON ARE TO BE REPRODUCED, REDISTRIBUTED OR USED IN ANY MANNER NOT AUTHORIZED IN WRITING BY AN OFFICER OR AGENT THEREOF.	Date Created: 8/1/2024 Drawn By: Bryan Revision: A Scale: 1:8	
Sheet 1 of 3		

Y:\Hi5 Engineering\COLLECTIONS\GATHER\GRAT - Atmosphere\Customer Drawings\GRAT23.L



# Gather Collection

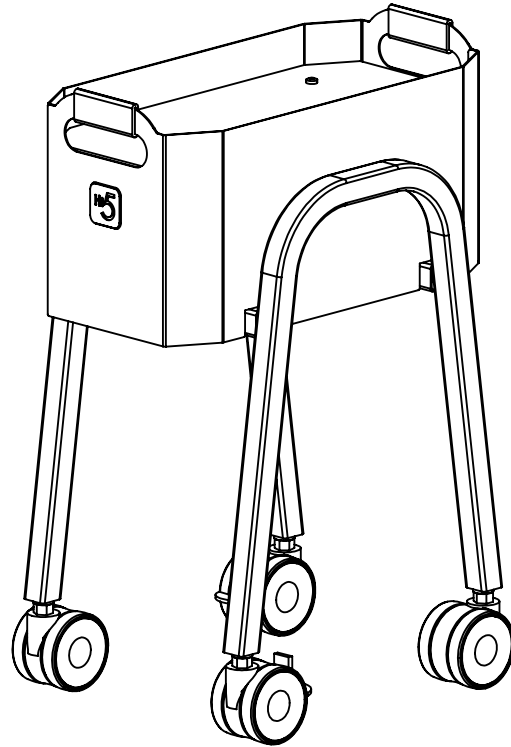
## Atmosphere - Botanical Stands

Model Code:  
GRAT23.L

<b>Hi5 Furniture, Inc.</b>		
<b>PROPRIETARY AND CONFIDENTIAL</b>	NOMINAL DIMENSIONS ± 1.00"	
THIS DRAWING IS THE PROPERTY OF HI5 FURNITURE, INC. THE DRAWING NOR THE ITEMS THEREON ARE TO BE REPRODUCED, REDISTRIBUTED OR USED IN ANY MANNER NOT AUTHORIZED IN WRITING BY AN OFFICER OR AGENT THEREOF.	Date Created: 8/1/2024 Drawn By: Bryan Revision: A Scale: 1:10	
Sheet 2 of 3		

CUSTOMER APPROVAL & ASSEMBLY DRAWING

ITEM NO.	PART NUMBER	DESCRIPTION	QTY.
1	GRAT.P.8x16.XX	Plants	1
2	GRHUSH.H.3x3.XX	Velcro material wrap	2
3	GRAT23-F.XX+	Planter base	1
4	GRAT-P.XX-L.XX+	Wide planter	1



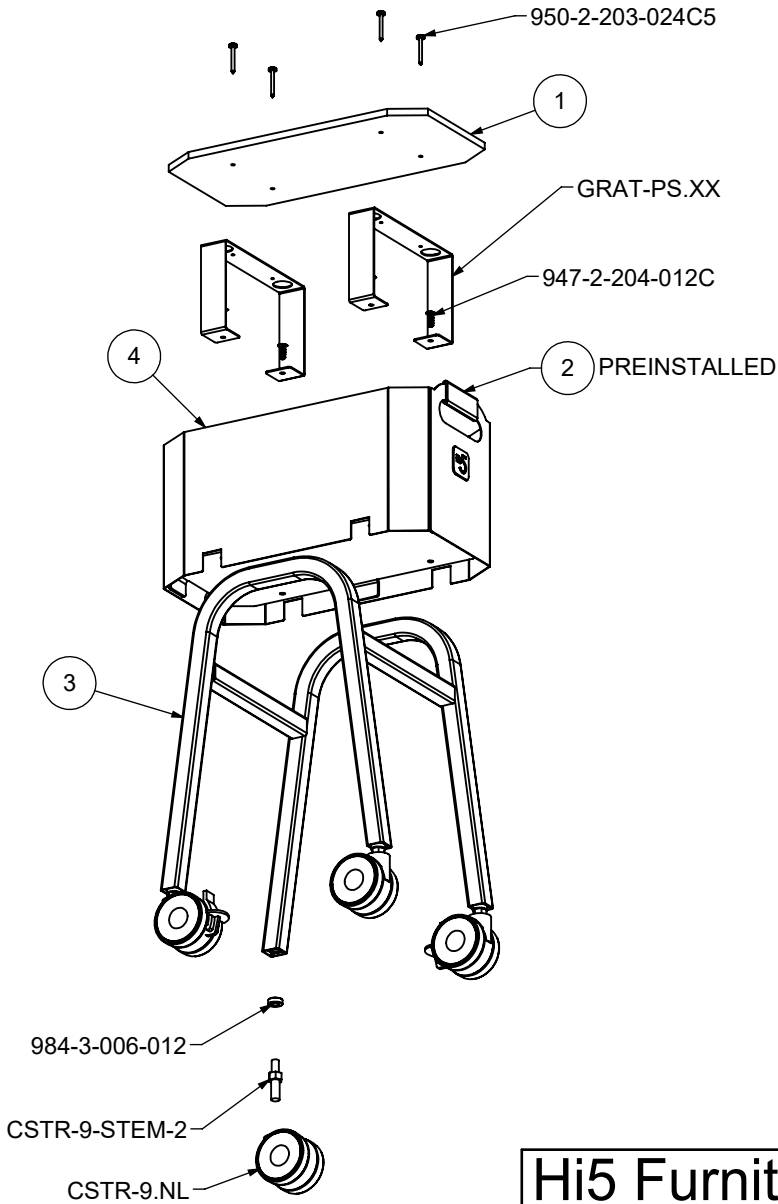
# Gather Collection Atmosphere - Botanical Stands

Model Code:  
**GRAT23**

<b>Hi5 Furniture, Inc.</b>		
<b>PROPRIETARY AND CONFIDENTIAL</b>		
<small>NOMINAL DIMENSIONS ± 1.00"</small> <small>THIS DRAWING IS THE PROPERTY OF HIS FURNITURE, INC. THE DRAWING NOR THE ITEMS THEREON ARE TO BE REPRODUCED, REDISTRIBUTED OR USED IN ANY MANNER NOT AUTHORIZED IN WRITING BY AN OFFICER OR AGENT THEREOF.</small>		
<small>Date Created:</small> 7/28/2024	<small>Drawn By:</small> Bryan	
<small>Revision:</small> A	<small>Scale:</small> 1:7	<small>Sheet</small> 1 of 3

\\hi5dcfs1\common\Hi5\_Engineering\COLLECTIONS\GATHER\GRAT - Atmosphere\CUSTOMER DRAWINGS\GRAT23

CUSTOMER APPROVAL & ASSEMBLY DRAWING



# Gather Collection

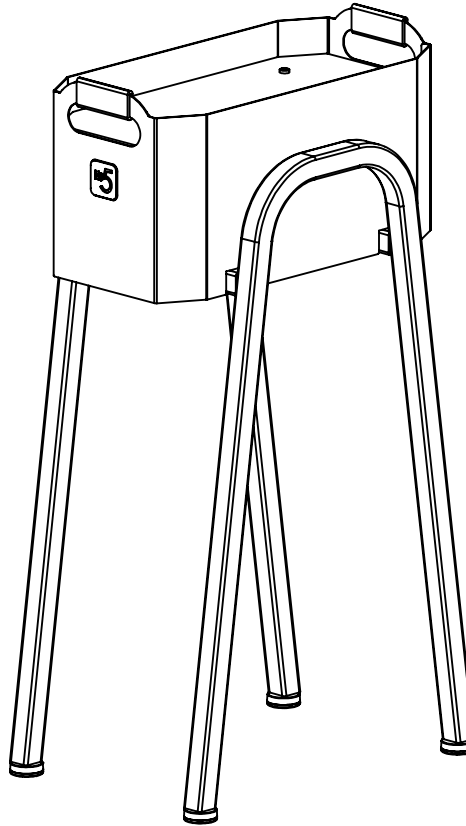
## Atmosphere - Botanical Stands

Model Code:  
**GRAT23**

<b>Hi5 Furniture, Inc.</b>		
<b>PROPRIETARY AND CONFIDENTIAL</b>		
<small>NOMINAL DIMENSIONS ± 1.00"</small> Date Created: 7/28/2024      Drawn By: Bryan Revision: A      Scale: 1:10		
<small>THIS DRAWING IS THE PROPERTY OF HIS FURNITURE, INC. THE DRAWING NOR THE ITEMS THEREON ARE TO BE REPRODUCED, REDISTRIBUTED OR USED IN ANY MANNER NOT AUTHORIZED IN WRITING BY AN OFFICER OR AGENT THEREOF.</small>		
Sheet 2 of 3		



ITEM NO.	PART NUMBER	DESCRIPTION	QTY.
1	GRAT.P.8x16.XX	Plants	1
2	GRHUSH.H.3x3.XX	Velcro material wrap	2
3	GRAT30.L-F.XX+	Planter base	1
4	GRAT-P.XX-L.XX+	Wide planter	1



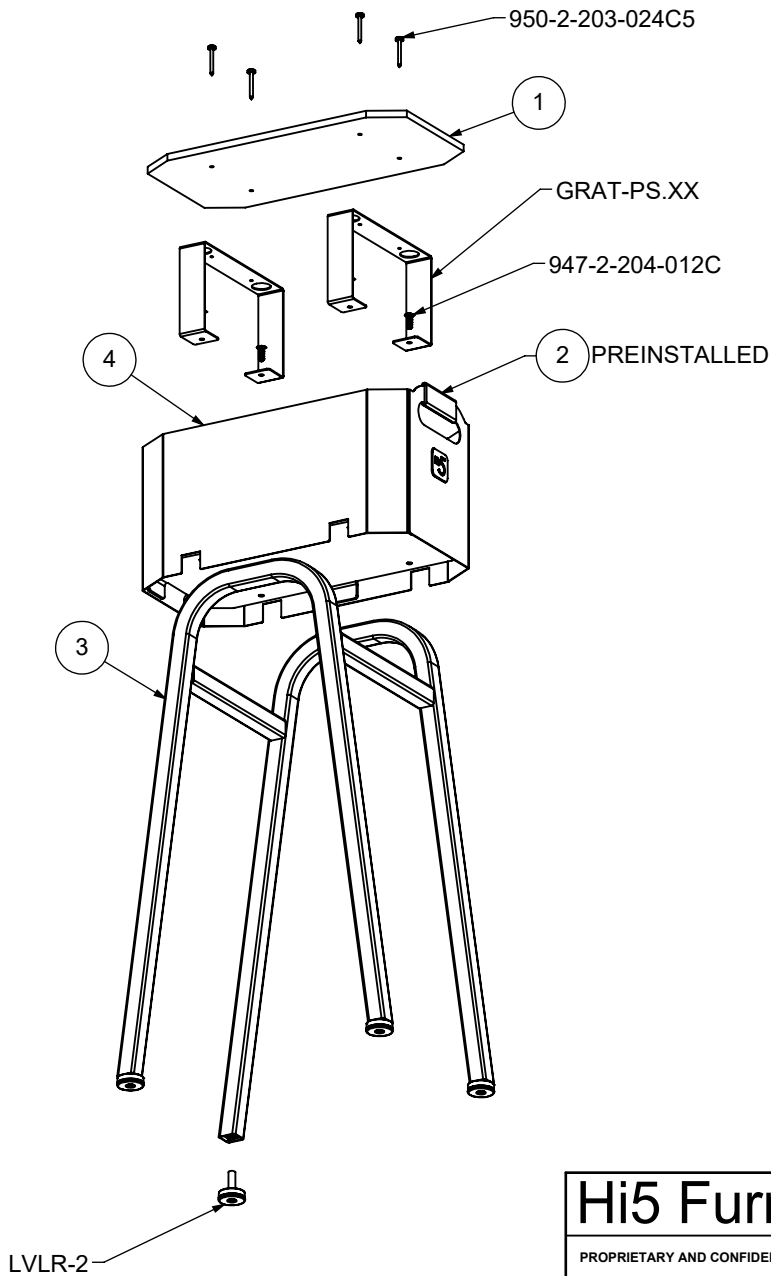
# Gather Collection Atmosphere - Botanical Stands

Model Code:  
GRAT30.L

<b>Hi5 Furniture, Inc.</b>						
<b>PROPRIETARY AND CONFIDENTIAL</b>	NOMINAL DIMENSIONS ± 1.00"					
THIS DRAWING IS THE PROPERTY OF HIS FURNITURE, INC. THE DRAWING NOR THE ITEMS THEREON ARE TO BE REPRODUCED, REDISTRIBUTED OR USED IN ANY MANNER NOT AUTHORIZED IN WRITING BY AN OFFICER OR AGENT THEREOF.	<table border="1"> <tr> <td>Date Created: 7/17/2024</td> <td>Drawn By: Bryan</td> </tr> <tr> <td>Revision: A</td> <td>Scale: 1:8</td> </tr> </table>		Date Created: 7/17/2024	Drawn By: Bryan	Revision: A	Scale: 1:8
Date Created: 7/17/2024	Drawn By: Bryan					
Revision: A	Scale: 1:8					
Sheet 1 of 3						

\\hi5dcfs1\common\Hi5\_Engineering\COLLECTIONS\GATHER\GRAT - Atmosphere\CUSTOMER DRAWINGS\GRAT30.L

CUSTOMER APPROVAL & ASSEMBLY DRAWING



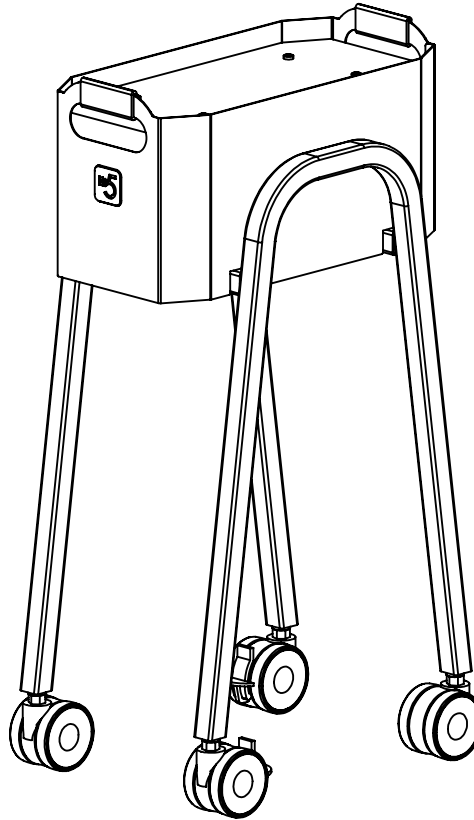
# Gather Collection

## Atmosphere - Botanical Stands

Model Code:  
GRAT30.L

<b>Hi5 Furniture, Inc.</b>		
<b>PROPRIETARY AND CONFIDENTIAL</b>		
NOMINAL DIMENSIONS ± 1.00"		
THIS DRAWING IS THE PROPERTY OF HI5 FURNITURE, INC. THE DRAWING NOR THE ITEMS THEREON ARE TO BE REPRODUCED, REDISTRIBUTED OR USED IN ANY MANNER NOT AUTHORIZED IN WRITING BY AN OFFICER OR AGENT THEREOF.		
Date Created: 7/17/2024	Drawn By: Bryan	
Revision: A	Scale: 1:10	
Sheet 2 of 3		

ITEM NO.	PART NUMBER	DESCRIPTION	QTY.
1	GRAT.P.8x16.XX	Plants	1
2	GRHUSH.H.3x3.XX	Velcro material wrap	2
3	GRAT30-F.XX+	Planter base	1
4	GRAT-P.XX-L.XX+	Wide planter	1



\\hi5dcfs1\common\Hi5\_Engineering\COLLECTIONS\GATHER\GRAT - Atmosphere\GRAT PLANTER\GRAT30

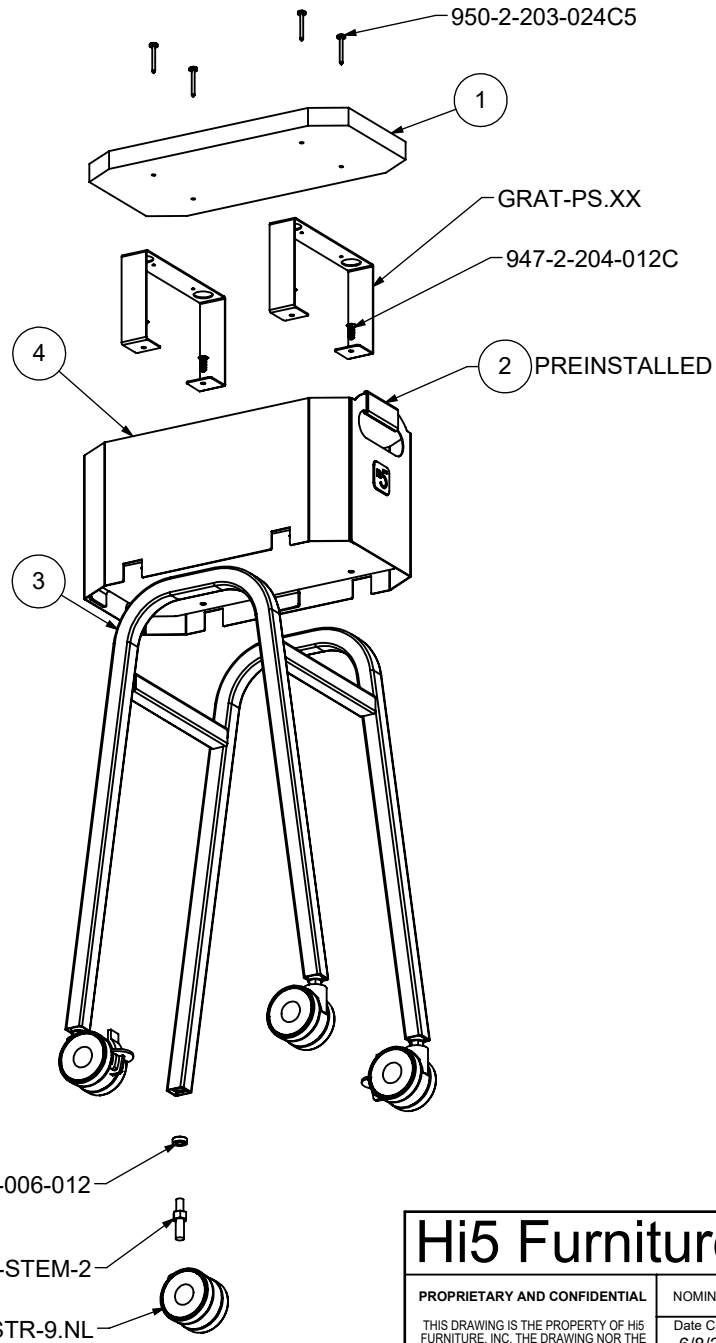
# Gather Collection

## Atmosphere - Botanical Stands

Model Code:  
GRAT30

<b>Hi5 Furniture, Inc.</b>						
<b>PROPRIETARY AND CONFIDENTIAL</b>	NOMINAL DIMENSIONS ± 1.00"					
THIS DRAWING IS THE PROPERTY OF HI5 FURNITURE, INC. THE DRAWING NOR THE ITEMS THEREON ARE TO BE REPRODUCED, REDISTRIBUTED OR USED IN ANY MANNER NOT AUTHORIZED IN WRITING BY AN OFFICER OR AGENT THEREOF.	<table border="1"> <tr> <td>Date Created: 6/8/2024</td> <td>Drawn By: Bryan</td> </tr> <tr> <td>Revision: A</td> <td>Scale: 1:8</td> </tr> </table>		Date Created: 6/8/2024	Drawn By: Bryan	Revision: A	Scale: 1:8
Date Created: 6/8/2024	Drawn By: Bryan					
Revision: A	Scale: 1:8					
Sheet 1 of 3						

CUSTOMER APPROVAL & ASSEMBLY DRAWING

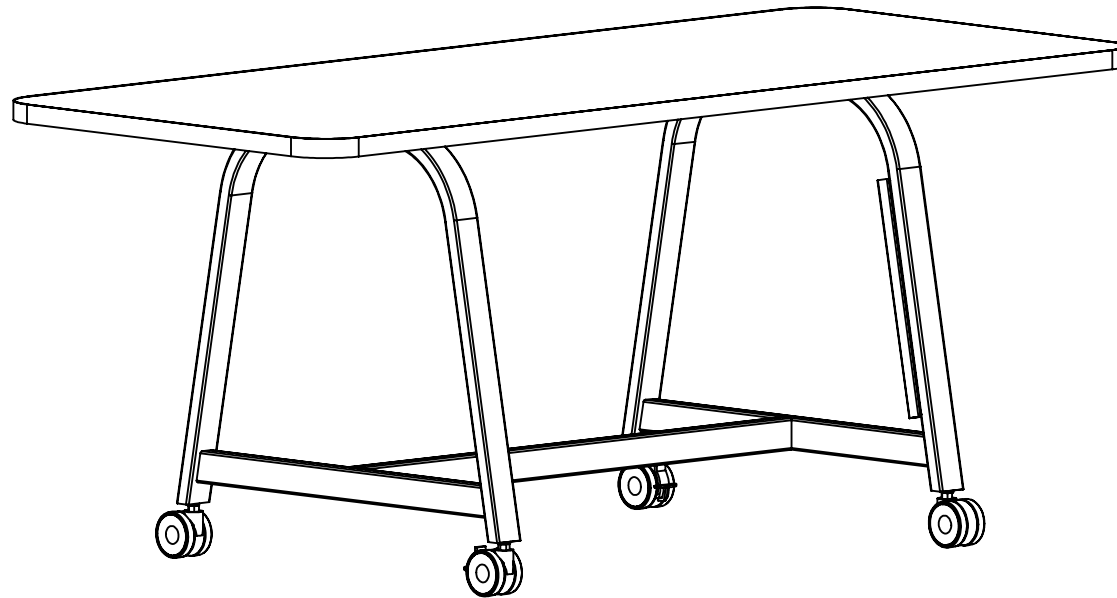


# Gather Collection Atmosphere - Botanical Stands

Model Code:  
**GRAT30**

<b>Hi5 Furniture, Inc.</b>		
<b>PROPRIETARY AND CONFIDENTIAL</b>	NOMINAL DIMENSIONS ± 1.00"	
THIS DRAWING IS THE PROPERTY OF HIS FURNITURE, INC. THE DRAWING NOR THE ITEMS THEREON ARE TO BE REPRODUCED, REDISTRIBUTED OR USED IN ANY MANNER NOT AUTHORIZED IN WRITING BY AN OFFICER OR AGENT THEREOF.	Date Created: 6/8/2024 Drawn By: Bryan Revision: A Scale: 1:10	
Sheet 2 of 3		

ITEM NO.	PART NUMBER	DESCRIPTION	QTY.
1	L3.3072.GRCO	Table Top, 29.75" wide x 71.50" long x 1.25" thick one piece HPL rectangle with 2mm PVC edges with 3" radius corners.	1
2	GRCO723029.XX+	Gather, Convene Base, 29.00" x 28.90" high	2
3	GRCO723029.F.XX+	Gather, Convene Footrail, 26.33" x 39.50"	1
4	WMAG.15.XX+	Wire manager, 1" x 2" x 15"	1



\\H5DCFS\1Common\Hi5 Engineering\COLLECTIONS\GATHER\GRCO - Convene\GRCO TABLES\GRCO723029.L3-WMAG

## Gather Collection Convene - table

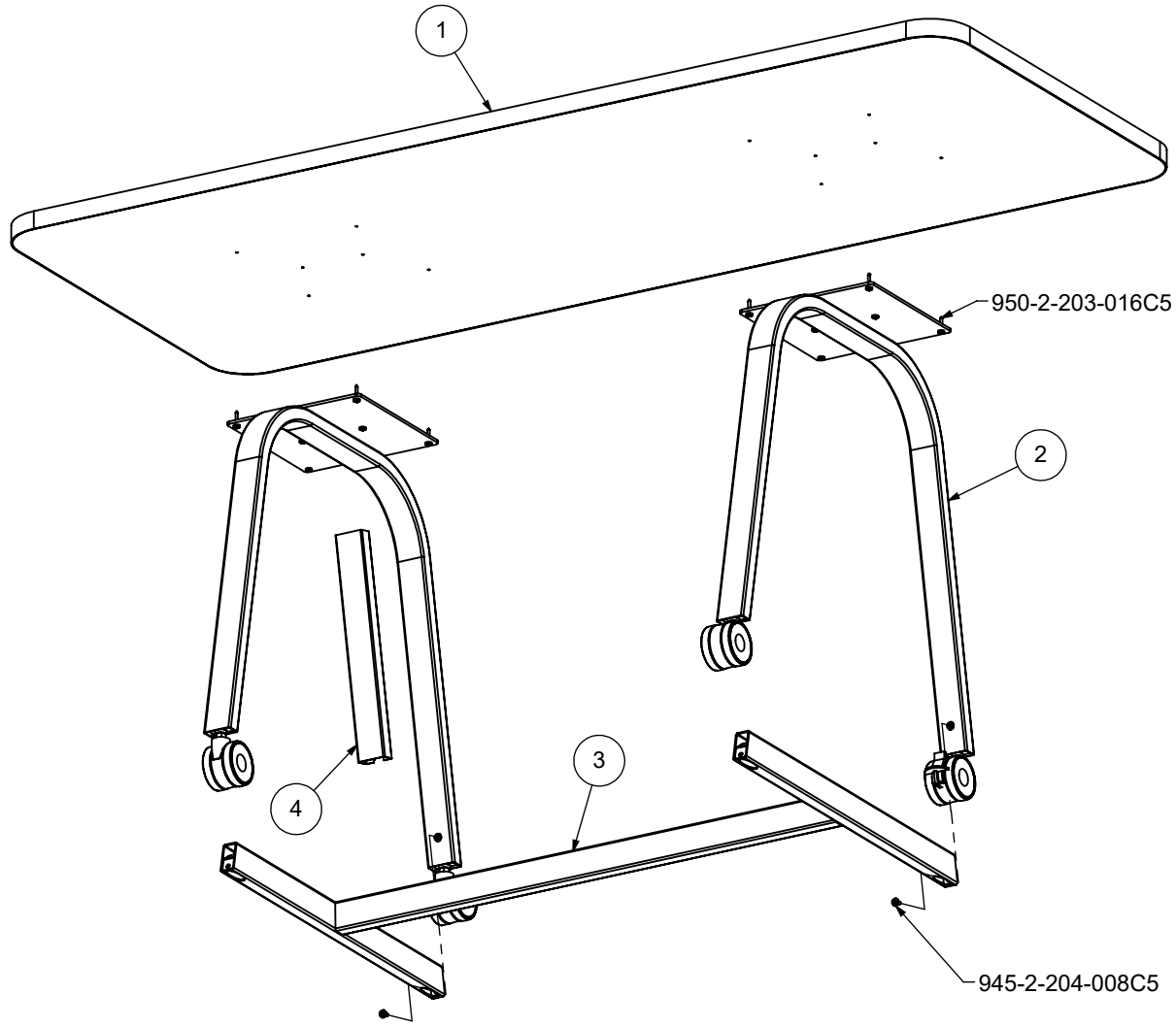
Model Code:

GRCO723029.L3-WMAG

<b>Hi5 Furniture, Inc.</b>			
<b>PROPRIETARY AND CONFIDENTIAL</b>	NOMINAL DIMENSIONS ± 1.00"		
THIS DRAWING IS THE PROPERTY OF HIS FURNITURE, INC. THE DRAWING NOR THE ITEMS THEREON ARE TO BE REPRODUCED, REDISTRIBUTED OR USED IN ANY MANNER NOT AUTHORIZED IN WRITING BY AN OFFICER OR AGENT THEREOF.	Date Created: 8/14/2024		Drawn By: MCJ
	Revision: A		Scale: 1:12
Sheet 1 of 3			

CUSTOMER APPROVAL & ASSEMBLY DRAWING

\\HISDCFS\1Common\Hi5 Engineering\COLLECTIONS\GATHER\GRCO - Convene\GRCO TABLES\GRCO723029.L3-WMAG



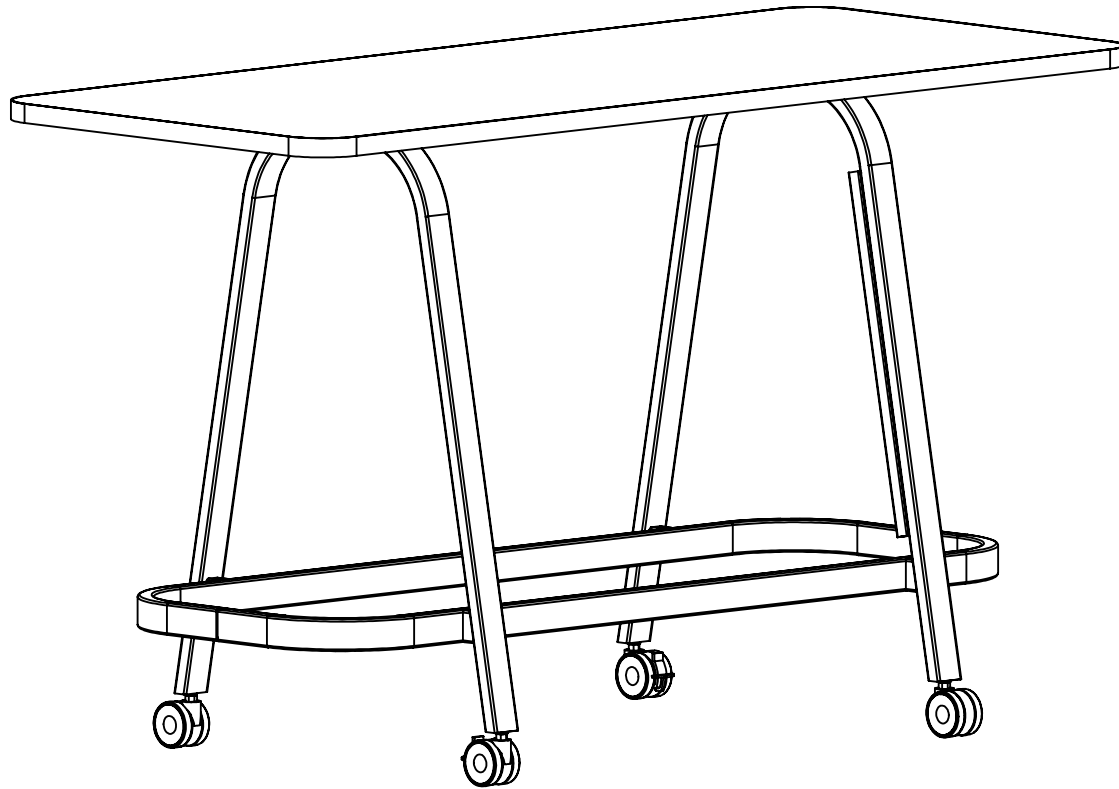
# Gather Collection Convene - table

Model Code:  
GRCO723029.L3-WMAG

<b>Hi5 Furniture, Inc.</b>		
<b>PROPRIETARY AND CONFIDENTIAL</b>		
THIS DRAWING IS THE PROPERTY OF HIS FURNITURE, INC. THE DRAWING NOR THE ITEMS THEREON ARE TO BE REPRODUCED, REDISTRIBUTED OR USED IN ANY MANNER NOT AUTHORIZED IN WRITING BY AN OFFICER OR AGENT THEREOF.		
NOMINAL DIMENSIONS ± 1.00"		
Date Created: 8/14/2024	Drawn By: MCJ	Sheet 2 of 3
Revision: A	Scale: 1:12	

CUSTOMER APPROVAL & ASSEMBLY DRAWING

ITEM NO.	PART NUMBER	DESCRIPTION	QTY.
1	L3.3072.GRCO	Table Top, 29.75" wide x 71.50" long x 1.25" thick one piece HPL rectangle with 2mm PVC edges with 3" radius corners.	1
2	GRCO723042.XX+	Gather, Convene base, 29.00" x 40.90"	2
3	GRCO723042.F.XX+	Gather, Convene footrail 22" x 61"	1
4	WMAG.23.XX+	Wire manager, 1" x 2" x 23"	1



\\H5DCFS\1\Common\Hi5 Engineering\COLLECTIONS\GATHER\GRCO - Convene\GRCO TABLES\GRCO723042.L3-WMAG

## Gather Collection Convene - table

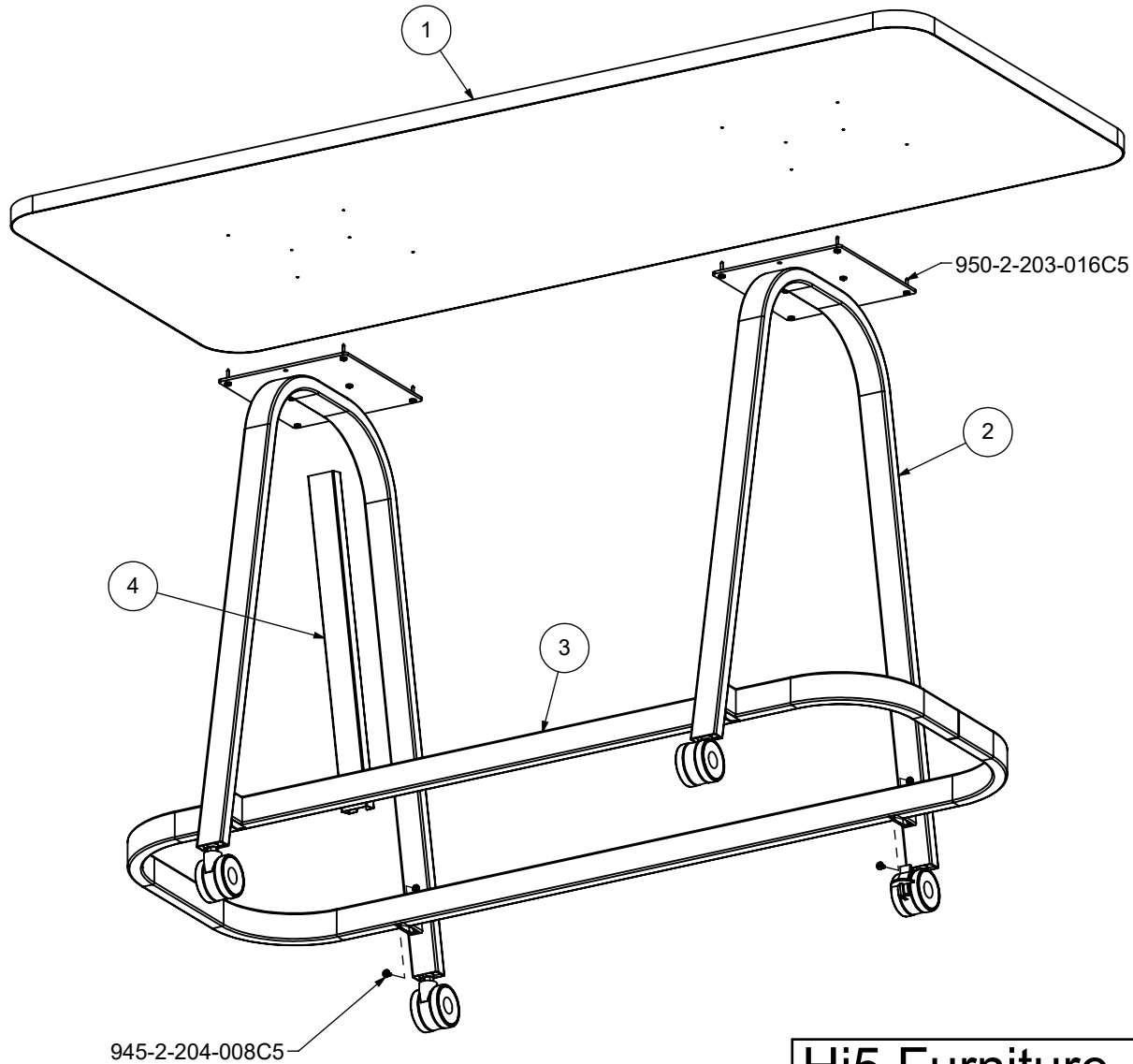
Model Code:

GRCO723042.L3-WMAG

<b>Hi5 Furniture, Inc.</b>						
<b>PROPRIETARY AND CONFIDENTIAL</b>	NOMINAL DIMENSIONS ± 1.00"					
THIS DRAWING IS THE PROPERTY OF HIS FURNITURE, INC. THE DRAWING NOR THE ITEMS THEREON ARE TO BE REPRODUCED, REDISTRIBUTED OR USED IN ANY MANNER NOT AUTHORIZED IN WRITING BY AN OFFICER OR AGENT THEREOF.	<table border="1"> <tr> <td>Date Created: 7/31/2024</td> <td>Drawn By: MCJ</td> </tr> <tr> <td>Revision: A</td> <td>Scale: 1:12</td> </tr> </table>		Date Created: 7/31/2024	Drawn By: MCJ	Revision: A	Scale: 1:12
Date Created: 7/31/2024	Drawn By: MCJ					
Revision: A	Scale: 1:12					
Sheet 1 of 3						

CUSTOMER APPROVAL & ASSEMBLY DRAWING

\\HISDCFS\1Common\Hi5 Engineering\COLLECTIONS\GATHER\GRCO - Convene\GRCO TABLES\GRCO723042.L3-WMAG



# Gather Collection Convene - table

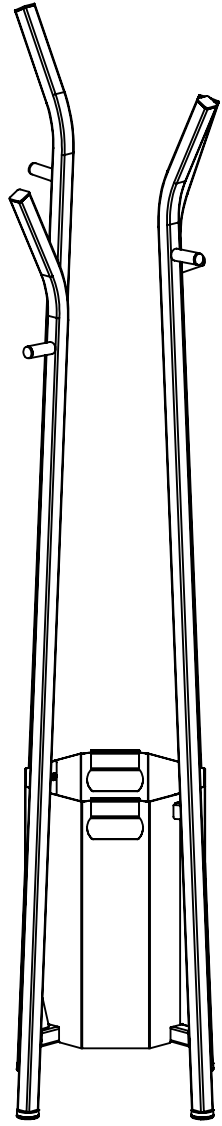
Model Code:  
GRCO723042.L3-WMAG

<b>Hi5 Furniture, Inc.</b>		
<b>PROPRIETARY AND CONFIDENTIAL</b>		
THIS DRAWING IS THE PROPERTY OF HIS FURNITURE, INC. THE DRAWING NOR THE ITEMS THEREON ARE TO BE REPRODUCED, REDISTRIBUTED OR USED IN ANY MANNER NOT AUTHORIZED IN WRITING BY AN OFFICER OR AGENT THEREOF.		
NOMINAL DIMENSIONS ± 1.00"		
Date Created: 7/31/2024	Drawn By: MCJ	
Revision: A	Scale: 1:12	
Sheet 2 of 3		

CUSTOMER APPROVAL & ASSEMBLY DRAWING




ITEM NO.	PART NUMBER	DESCRIPTION	QTY.
1	GRHAP.XX	Bucket floor PET	1
2	GRHUSH.H.3x3.XX	Velcro material wrap	2
3	GRHA-SL.XX+	Coat rack	1
4	GRHA-TL.XX+	Coat rack	1
5	GRHA.XX+	Umbrella bucket	1



# Gather Collection Hang Out - coat rack

### REVISIONS

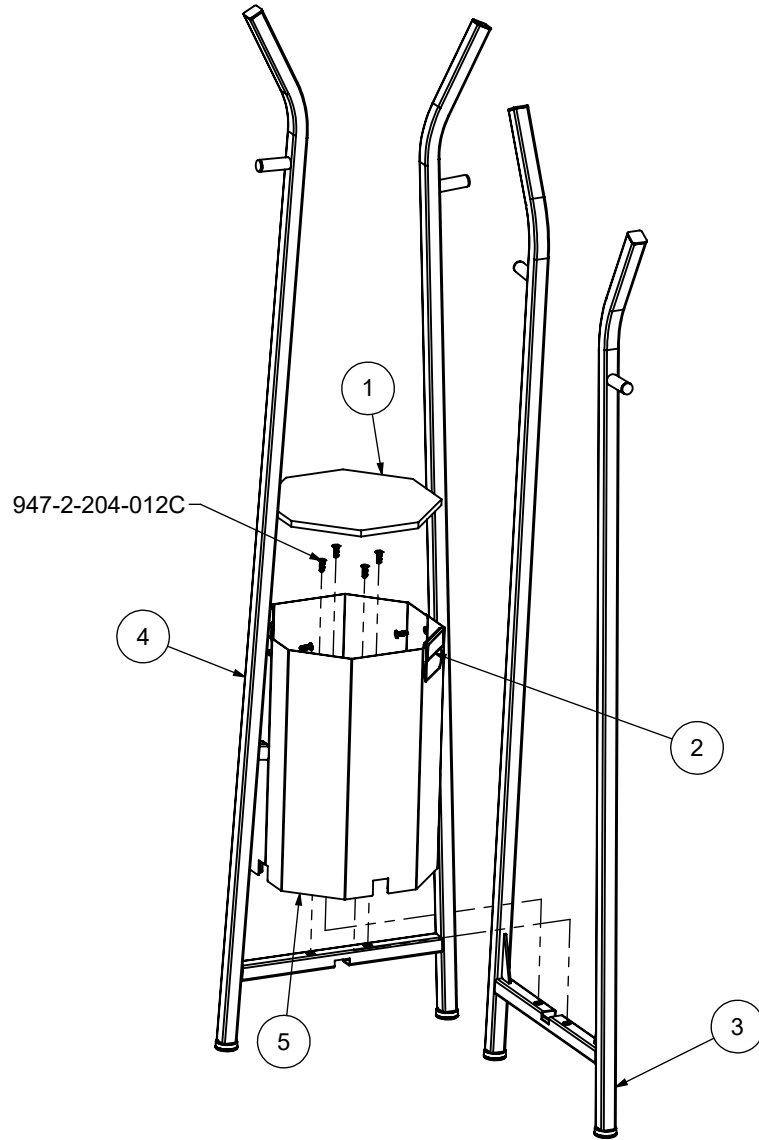
REV.	DESCRIPTION	DATE	APPROVED
B	Saved from CJ-RD-75-CR-LV	8/21/2024	BCS

<b>Hi5 Furniture, Inc.</b>			
<b>PROPRIETARY AND CONFIDENTIAL</b>	NOMINAL DIMENSIONS ± 1.00"		
<small>THIS DRAWING IS THE PROPERTY OF HIS FURNITURE, INC. THE DRAWING NOR THE ITEMS THEREON ARE TO BE REPRODUCED, REDISTRIBUTED OR USED IN ANY MANNER NOT AUTHORIZED IN WRITING BY AN OFFICER OR AGENT THEREOF.</small>	Date Created: 6/10/2024		Drawn By: Bryan
	Revision: B		Scale: 1:12
Sheet 1 of 3			

Y:\Hi5 Engineering\COLLECTIONS\GATHER\GRHA - Hang Out\Customer Drawings\GRHA.L

Model Code:  
**GRHA.L**


CUSTOMER APPROVAL & ASSEMBLY DRAWING



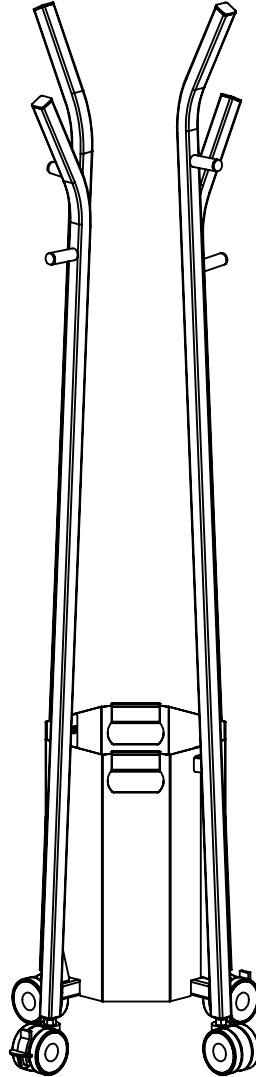
# Gather Collection

## Hang Out - coat rack

Model Code:  
GRHA.L

<b>Hi5 Furniture, Inc.</b>		
<b>PROPRIETARY AND CONFIDENTIAL</b>		
<small>NOMINAL DIMENSIONS ± 1.00"</small> Date Created: 6/10/2024 Drawn By: Bryan Revision: B Scale: 1:12		
<small>THIS DRAWING IS THE PROPERTY OF HIS FURNITURE, INC. THE DRAWING NOR THE ITEMS THEREON ARE TO BE REPRODUCED, REDISTRIBUTED OR USED IN ANY MANNER NOT AUTHORIZED IN WRITING BY AN OFFICER OR AGENT THEREOF.</small>		
Sheet 2 of 3		

ITEM NO.	PART NUMBER	DESCRIPTION	QTY.
1	GRHAP.XX	Bucket floor PET	1
2	GRHUSH.H.3x3.XX	Velcro material wrap	2
3	GRHA-SC.XX+	Coat rack	1
4	GRHA-TC.XX+	Coat rack	1
5	GRHA.XX+	Umbrella bucket	1



# Gather Collection Hang Out - coat rack

### REVISIONS

REV.	DESCRIPTION	DATE	APPROVED
B	Revised post lengths	6/10/2024	BCS
C	Saved from CJ-RD-75-CR. Updated design	8/18/2024	BCS

**Hi5 Furniture, Inc.**

**PROPRIETARY AND CONFIDENTIAL**  
THIS DRAWING IS THE PROPERTY OF HI5 FURNITURE, INC. THE DRAWING NOR THE ITEMS THEREON ARE TO BE REPRODUCED, REDISTRIBUTED OR USED IN ANY MANNER NOT AUTHORIZED IN WRITING BY AN OFFICER OR AGENT THEREOF.

NOMINAL DIMENSIONS ± 1.00"  
Date Created: 6/9/2024  
Drawn By: Bryan  
Revision: C  
Scale: 1:12

Sheet 1 of 3

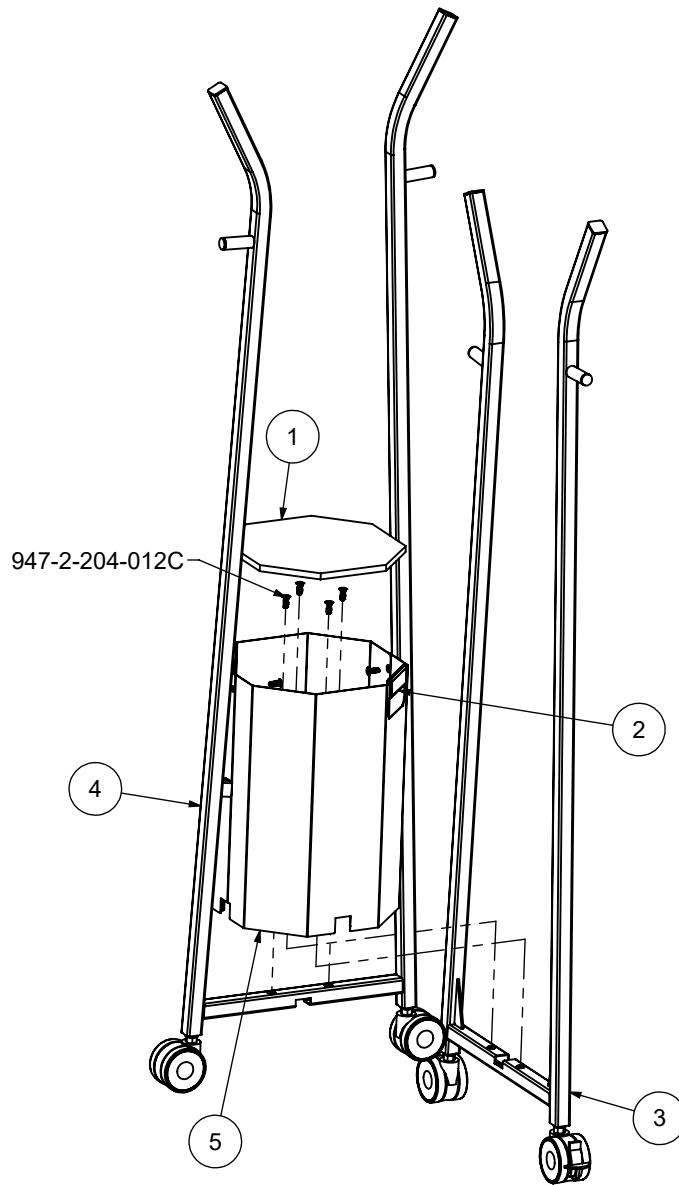


Y:\Hi5 Engineering\COLLECTIONS\GATHER\GRHA - Hang Out\Customer Drawings\GRHA

CUSTOMER APPROVAL & ASSEMBLY DRAWING


Model Code:

**GRHA**

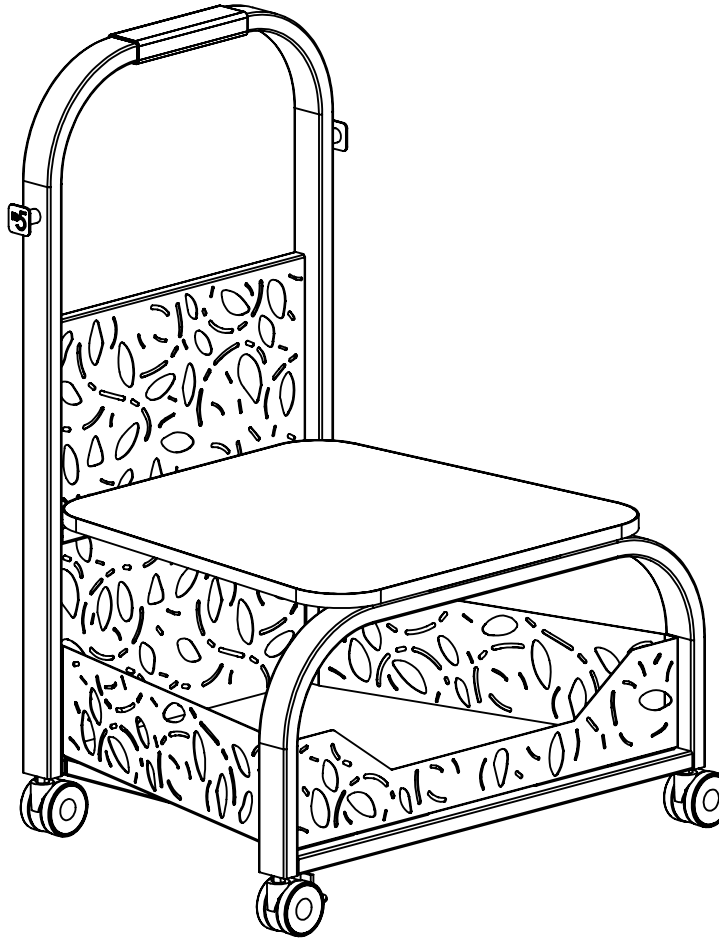


# Gather Collection Hang Out - coat rack

Model Code:  
GRHA

<b>Hi5 Furniture, Inc.</b>			
<b>PROPRIETARY AND CONFIDENTIAL</b>			
<small>NOMINAL DIMENSIONS ± 1.00"</small>			
<small>THIS DRAWING IS THE PROPERTY OF HIS FURNITURE, INC. THE DRAWING NOR THE ITEMS THEREON ARE TO BE REPRODUCED, REDISTRIBUTED OR USED IN ANY MANNER NOT AUTHORIZED IN WRITING BY AN OFFICER OR AGENT THEREOF.</small>			
Date Created:	6/9/2024	Drawn By:	Bryan
Revision:	C	Scale:	1:12
Sheet 2 of 3			

ITEM NO.	PART NUMBER	DESCRIPTION	QTY.
1	L73.GRH	Table Top, 23.75" x 23.75" x 0.75" thick one piece HPL custom shape with 2mm PVC edges.	1
2	GRHUSH.H.7x8.XX	Velcro material wrap, 7" x 8"	1
3	GRHO-B.XX	Home Base bottom frame, 18.75" x 20.27"	1
4	GRHO2-T.XX+	Home Base formed panel, 6.94" x 22.31" x 28.75"	1
5	GRHO2-F-F.XX-P.XX+	Home Base front frame, 6.00" x 17.01" x 31.00"	1
6	GRHO2-R-F.XX-P.XX+	Home Base rear frame, 41.85" x 23.44"	1



## Gather Collection Home Base - personal caddy

REVISIONS			
REV.	DESCRIPTION	DATE	APPROVED
B	GRHO-B.XX was GRHO-B.XX+.	1/9/2025	MOR

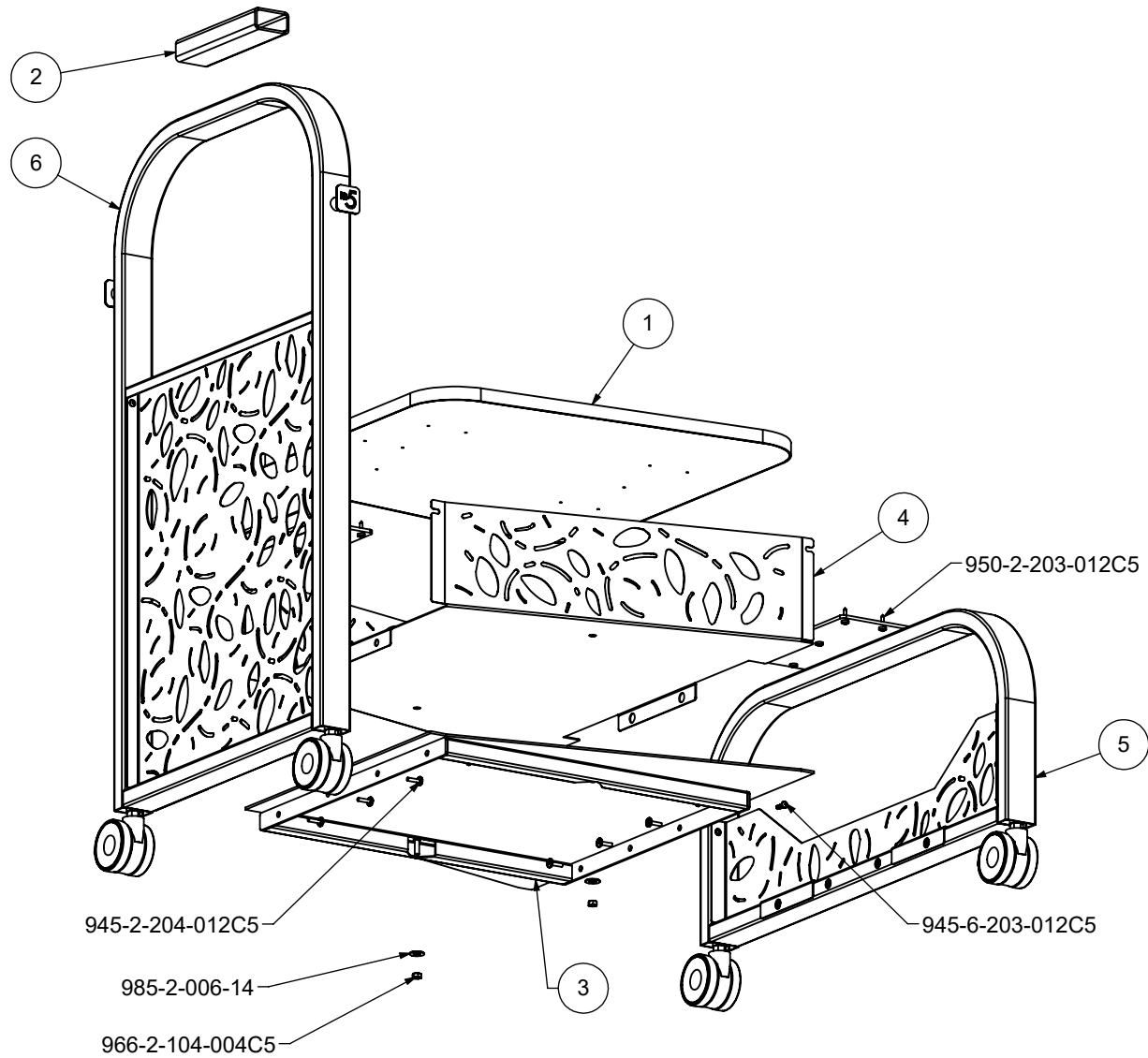
<b>Hi5 Furniture, Inc.</b>			
<b>PROPRIETARY AND CONFIDENTIAL</b>			
<small>THIS DRAWING IS THE PROPERTY OF HIS FURNITURE, INC. THE DRAWING NOR THE ITEMS THEREON ARE TO BE REPRODUCED, REDISTRIBUTED OR USED IN ANY MANNER NOT AUTHORIZED IN WRITING BY AN OFFICER OR AGENT THEREOF.</small>			
<small>NOMINAL DIMENSIONS ± 1.00"</small>			
Date Created:	8/19/2024	Drawn By:	MCJ
Revision:	B	Scale:	1:10
Sheet 1 of 3			

Model Code:

**GRHO2**

Y:\Hi5 Engineering\COLLECTIONS\GATHER\GRHO - Home Base\CUSTOMER DRAWINGS\GRHO2

CUSTOMER APPROVAL & ASSEMBLY DRAWING

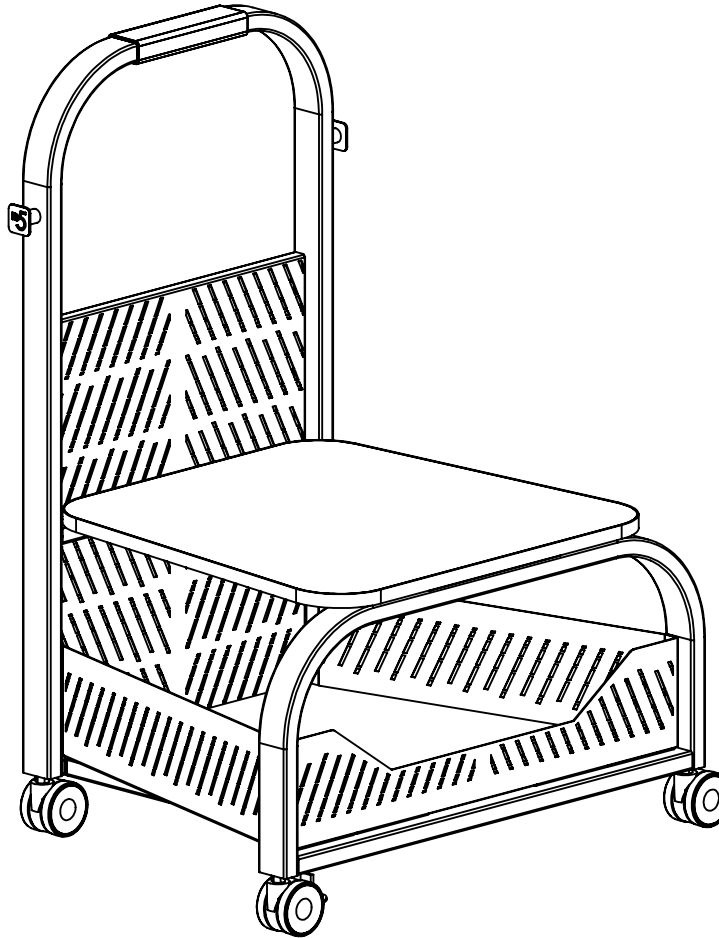


# Gather Collection Home Base - personal caddy

Model Code:  
GRHO2

<b>Hi5 Furniture, Inc.</b>		
<b>PROPRIETARY AND CONFIDENTIAL</b>	NOMINAL DIMENSIONS ± 1.00"	
THIS DRAWING IS THE PROPERTY OF HIS FURNITURE, INC. THE DRAWING NOR THE ITEMS THEREON ARE TO BE REPRODUCED, REDISTRIBUTED OR USED IN ANY MANNER NOT AUTHORIZED IN WRITING BY AN OFFICER OR AGENT THEREOF.	Date Created: 8/19/2024 Drawn By: MCJ Revision: B Scale: 1:10	
	Sheet 2 of 3	

ITEM NO.	PART NUMBER	DESCRIPTION	QTY.
1	L73.GRH	Table Top, 23.75" x 23.75" x 0.75" thick one piece HPL custom shape with 2mm PVC edges.	1
2	GRHUSH.H.7x8.XX	Velcro material wrap, 7" x 8"	1
3	GRHO-B.XX	Home Base bottom frame, 18.75" x 20.27"	1
4	GRHO3-T.XX+	Home Base formed panel	1
5	GRHO3-F-F.XX-P.XX+	Home Base front frame, 6.00" x 17.01" x 31.00"	1
6	GRHO3-R-F.XX-P.XX+	Home Base rear frame	1



# Gather Collection

## Home Base - personal caddy

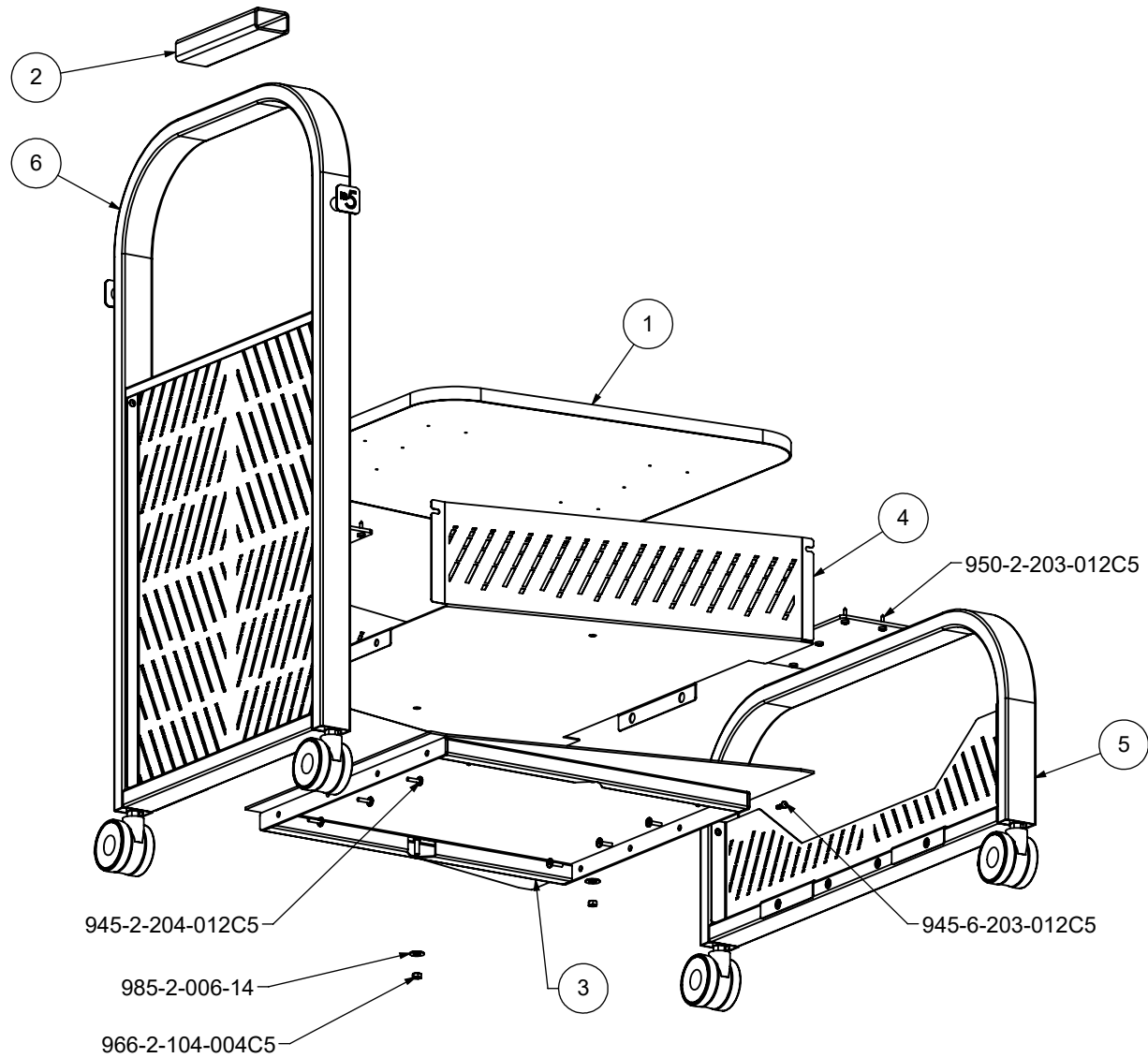
Model Code:  
GRHO3

<b>Hi5 Furniture, Inc.</b>						
<b>PROPRIETARY AND CONFIDENTIAL</b>	NOMINAL DIMENSIONS ± 1.00"					
THIS DRAWING IS THE PROPERTY OF HIS FURNITURE, INC. THE DRAWING NOR THE ITEMS THEREON ARE TO BE REPRODUCED, REDISTRIBUTED OR USED IN ANY MANNER NOT AUTHORIZED IN WRITING BY AN OFFICER OR AGENT THEREOF.	<table border="1"> <tr> <td>Date Created: 1/20/2025</td> <td>Drawn By: MCJ</td> </tr> <tr> <td>Revision: A</td> <td>Scale: 1:10</td> </tr> </table>		Date Created: 1/20/2025	Drawn By: MCJ	Revision: A	Scale: 1:10
Date Created: 1/20/2025	Drawn By: MCJ					
Revision: A	Scale: 1:10					
Sheet 1 of 3						

\\hi5dcfs1\common\Hi5\_Engineering\COLLECTIONS\GATHER\GRHO - Home Base\CUSTOMER DRAWINGS\GRHO3

CUSTOMER APPROVAL & ASSEMBLY DRAWING

\\hi5dcfs1\common\Hi5\_Engineering\COLLECTIONS\GATHER\GRHO - Home Base\CUSTOMER DRAWINGS\GRHO3



# Gather Collection Home Base - personal caddy

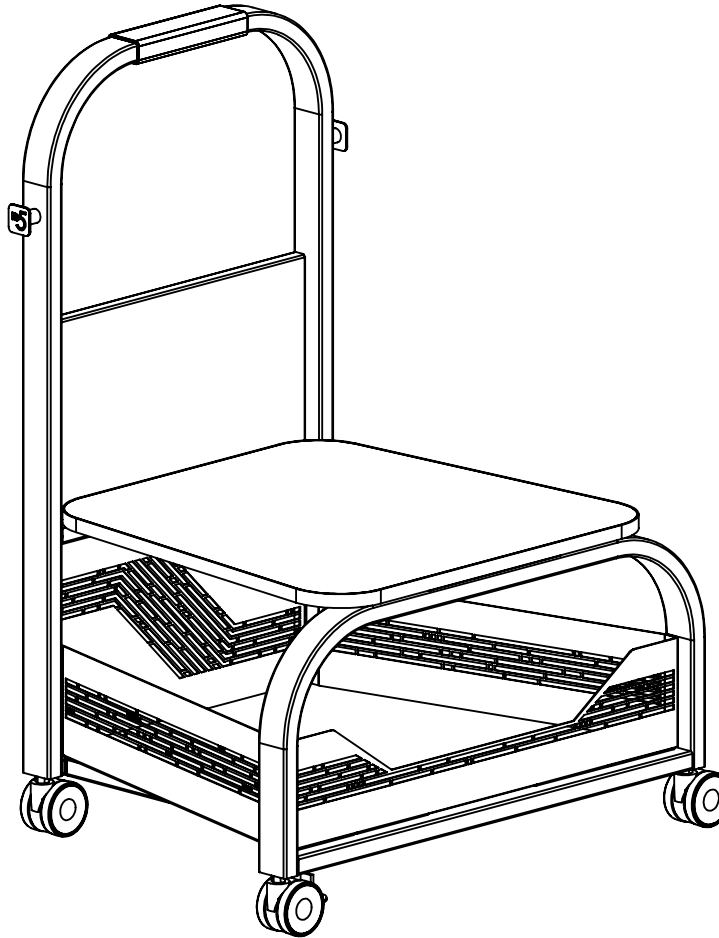
Model Code:  
GRHO3

<b>Hi5 Furniture, Inc.</b>			
<b>PROPRIETARY AND CONFIDENTIAL</b>			
<small>THIS DRAWING IS THE PROPERTY OF HIS FURNITURE, INC. THE DRAWING NOR THE ITEMS THEREON ARE TO BE REPRODUCED, REDISTRIBUTED OR USED IN ANY MANNER NOT AUTHORIZED IN WRITING BY AN OFFICER OR AGENT THEREOF.</small>			
<small>NOMINAL DIMENSIONS ± 1.00"</small>			
Date Created:	1/20/2025	Drawn By:	MCJ
Revision:	A	Scale:	1:10
Sheet 2 of 3			

CUSTOMER APPROVAL & ASSEMBLY DRAWING



ITEM NO.	PART NUMBER	DESCRIPTION	QTY.
1	L73.GRH	Table Top, 23.75" x 23.75" x 0.75" thick one piece HPL custom shape with 2mm PVC edges.	1
2	GRHUSH.H.7x8.XX	Velcro material wrap, 7" x 8"	1
3	GRHO-B.XX	Home Base bottom frame, 18.75" x 20.27"	1
4	GRHO4-T.XX+	Home Base formed panel	1
5	GRHO4-F-F.XX-P.XX+	Home Base front frame, 6.00" x 17.01" x 31.00"	1
6	GRHO4-R-F.XX-P.XX+	Home Base rear frame	1



# Gather Collection Home Base - personal caddy

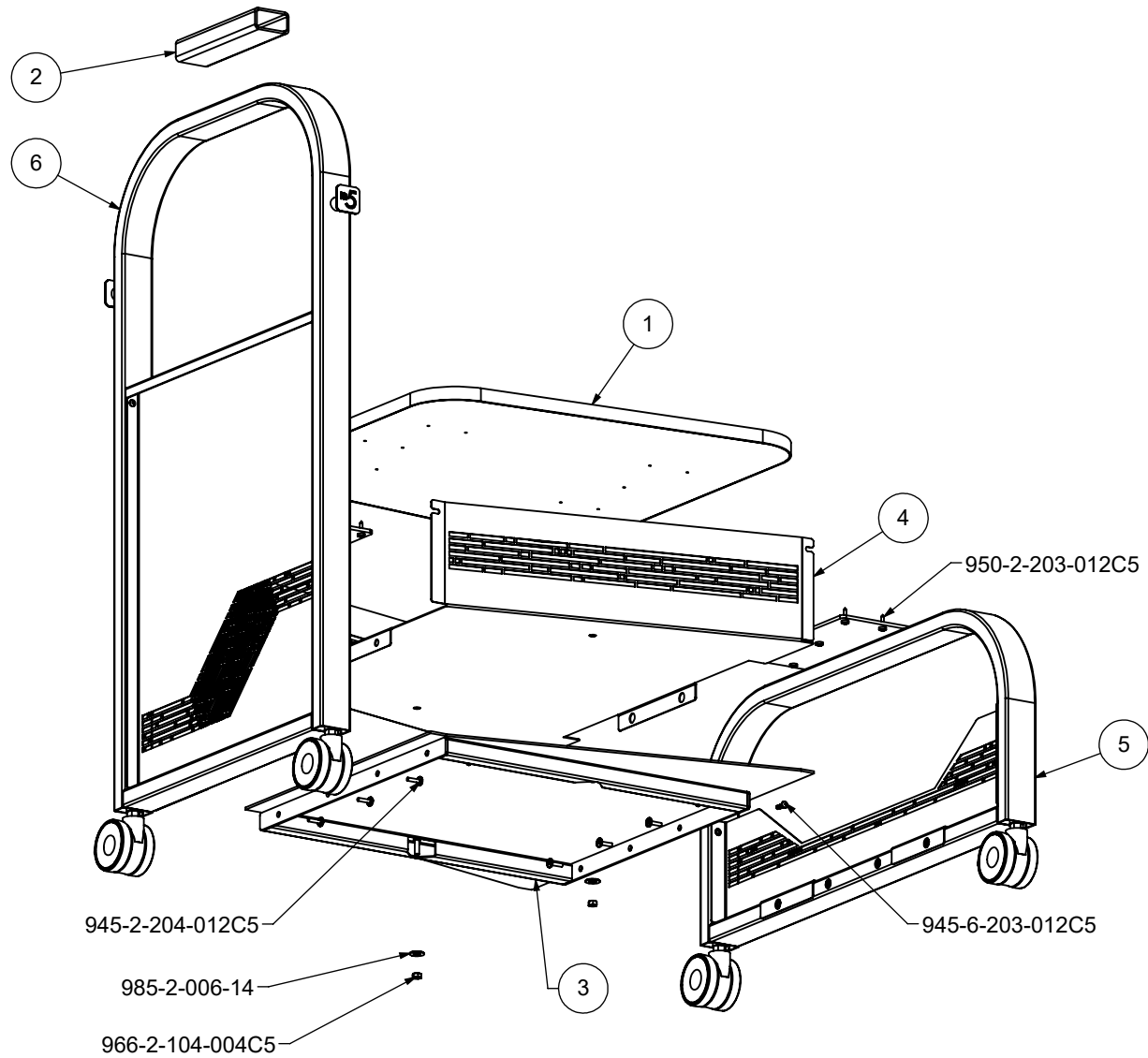
Model Code:  
GRHO4

<b>Hi5 Furniture, Inc.</b>						
<b>PROPRIETARY AND CONFIDENTIAL</b>	NOMINAL DIMENSIONS ± 1.00"					
THIS DRAWING IS THE PROPERTY OF HIS FURNITURE, INC. THE DRAWING NOR THE ITEMS THEREON ARE TO BE REPRODUCED, REDISTRIBUTED OR USED IN ANY MANNER NOT AUTHORIZED IN WRITING BY AN OFFICER OR AGENT THEREOF.	<table border="1"> <tr> <td>Date Created: 1/22/2025</td> <td>Drawn By: MCJ</td> </tr> <tr> <td>Revision: A</td> <td>Scale: 1:10</td> </tr> </table>		Date Created: 1/22/2025	Drawn By: MCJ	Revision: A	Scale: 1:10
Date Created: 1/22/2025	Drawn By: MCJ					
Revision: A	Scale: 1:10					
Sheet 1 of 3						

\\hi5dcfs1\common\Hi5\_Engineering\COLLECTIONS\GATHER\GRHO - Home Base\CUSTOMER DRAWINGS\GRHO4

CUSTOMER APPROVAL & ASSEMBLY DRAWING

\\hi5dcfs1\common\Hi5\_Engineering\COLLECTIONS\GATHER\GRHO - Home Base\CUSTOMER DRAWINGS\GRHO4



# Gather Collection Home Base - personal caddy

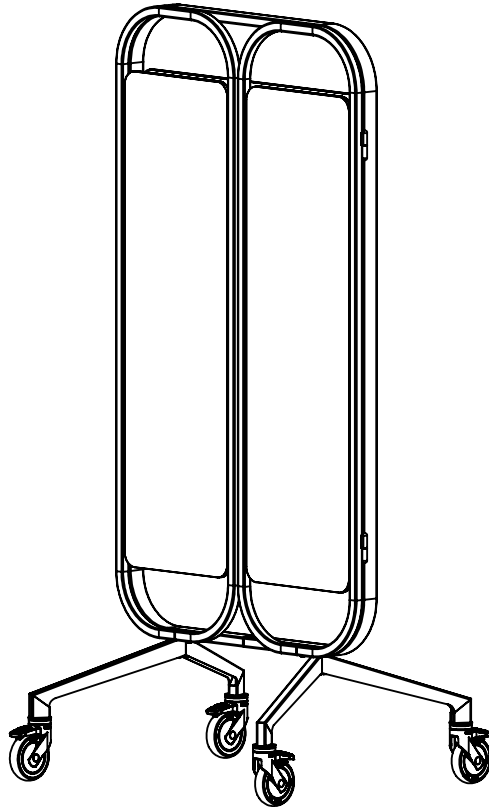
Model Code:  
GRHO4

<b>Hi5 Furniture, Inc.</b>		
<b>PROPRIETARY AND CONFIDENTIAL</b>	NOMINAL DIMENSIONS ± 1.00"	
THIS DRAWING IS THE PROPERTY OF HIS FURNITURE, INC. THE DRAWING NOR THE ITEMS THEREON ARE TO BE REPRODUCED, REDISTRIBUTED OR USED IN ANY MANNER NOT AUTHORIZED IN WRITING BY AN OFFICER OR AGENT THEREOF.	Date Created: 1/22/2025 Drawn By: MCJ Revision: A Scale: 1:10	
	Sheet 2 of 3	

CUSTOMER APPROVAL & ASSEMBLY DRAWING

\\hi5dcfs1\common\Hi5\_Engineering\COLLECTIONS\GATHER\GRIL - Illustrate\Customer Drawings\GRILW

ITEM NO.	PART NUMBER	DESCRIPTION	QTY.
1	GRILWP-A.XX+	White board frame, PET exterior face, 37.0" x 66.25"	1
2	GRILWP-B.XX+	White board frame, PET exterior face, 18.25" x 66.25"	1
3	GRILWP-C.XX+	White board frame, PET exterior face, 18.25" x 66.25"	1
4	GR-FOOT.XX+	Frame Foot, 15.0" high x 30.6" spread	2
5	GRILP-A.XX	PET full panel cover	1
6	GRILP-B.XX	PET bi-fold panel cover	2



## Gather Collection Illustrate - expandable whiteboard

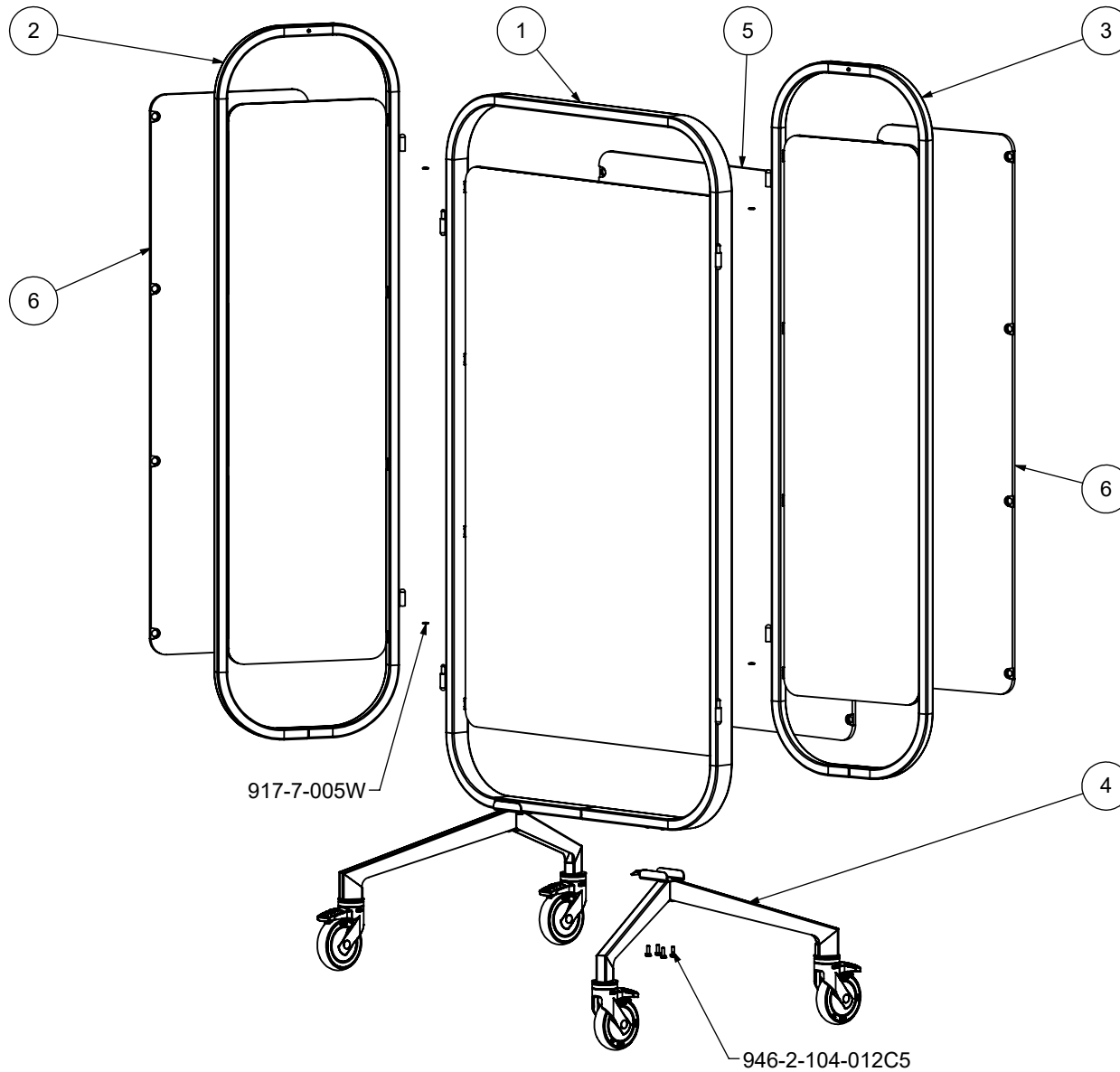
REVISIONS			
REV.	DESCRIPTION	DATE	APPROVED
A	Part Number was GRILWP. Multiple minor changes.	12/26/2024	MOR

<b>Hi5 Furniture, Inc.</b>			
<b>PROPRIETARY AND CONFIDENTIAL</b>	NOMINAL DIMENSIONS ± 1.00"		
<small>THIS DRAWING IS THE PROPERTY OF HIS FURNITURE, INC. THE DRAWING NOR THE ITEMS THEREON ARE TO BE REPRODUCED, REDISTRIBUTED OR USED IN ANY MANNER NOT AUTHORIZED IN WRITING BY AN OFFICER OR AGENT THEREOF.</small>	Date Created: 1/9/2025		Drawn By: MOR
	Revision: A		Scale: 1:20
		Sheet 1 of 3	

Model Code:  
**GRILW**

CUSTOMER APPROVAL & ASSEMBLY DRAWING

\\hi5dcfs1\common\Hi5\_Engineering\COLLECTIONS\GATHER\GRIL - Illustrate\Customer Drawings\GRILW



# Gather Collection

## Illustrate - expandable whiteboard

Model Code:  
**GRILW**

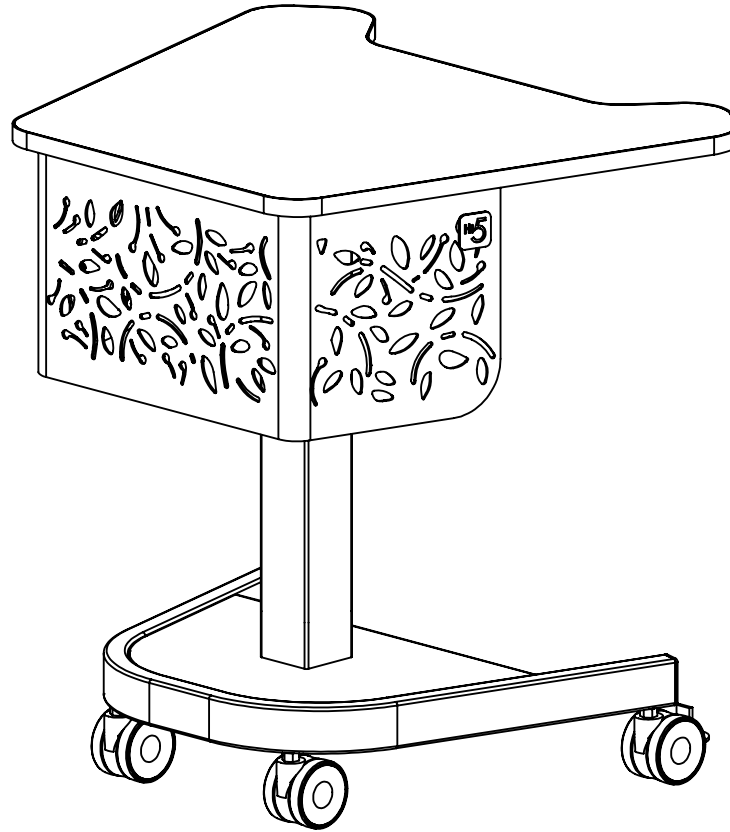
<b>Hi5 Furniture, Inc.</b>	
<b>PROPRIETARY AND CONFIDENTIAL</b>	
THIS DRAWING IS THE PROPERTY OF HIS FURNITURE, INC. THE DRAWING NOR THE ITEMS THEREON ARE TO BE REPRODUCED, REDISTRIBUTED OR USED IN ANY MANNER NOT AUTHORIZED IN WRITING BY AN OFFICER OR AGENT THEREOF.	
NOMINAL DIMENSIONS ± 1.00"	
Date Created: 1/9/2025	Drawn By: MOR
Revision: A	Scale: 1:16
Sheet 2 of 3	



CUSTOMER APPROVAL & ASSEMBLY DRAWING

\\hi5dcfs1\common\Hi5\_Engineering\COLLECTIONS\GATHER\GRIN - In The Round\CUSTOMER DRAWINGS\GRIN2

ITEM NO.	PART NUMBER	DESCRIPTION	QTY.
1	L73.GRIN	Table Top, 23.25" wide x 27.75" long x .75" thick one piece HPL custom shape with 2mm PVC edges.	1
2	950-2-201-010C5	#8 x 5/8" Sheet Metal Screw, standard point zinc plated steel, Pan head, Phillips Drive, Drive #2, Drill Size #21	2
3	GRIN-Base.F-XX.P-XX+	In The Round base.	1
4	GRIN-Mount.XX+	In The Round mount plate	1
5	GRIN2.O-XX.I-XX+	Formed modesty panel	1
6	HAPC.26LBS.XX	Pneumatic height adjustable column from 22.25 to 35.64". 15 to 37 lbs.	1



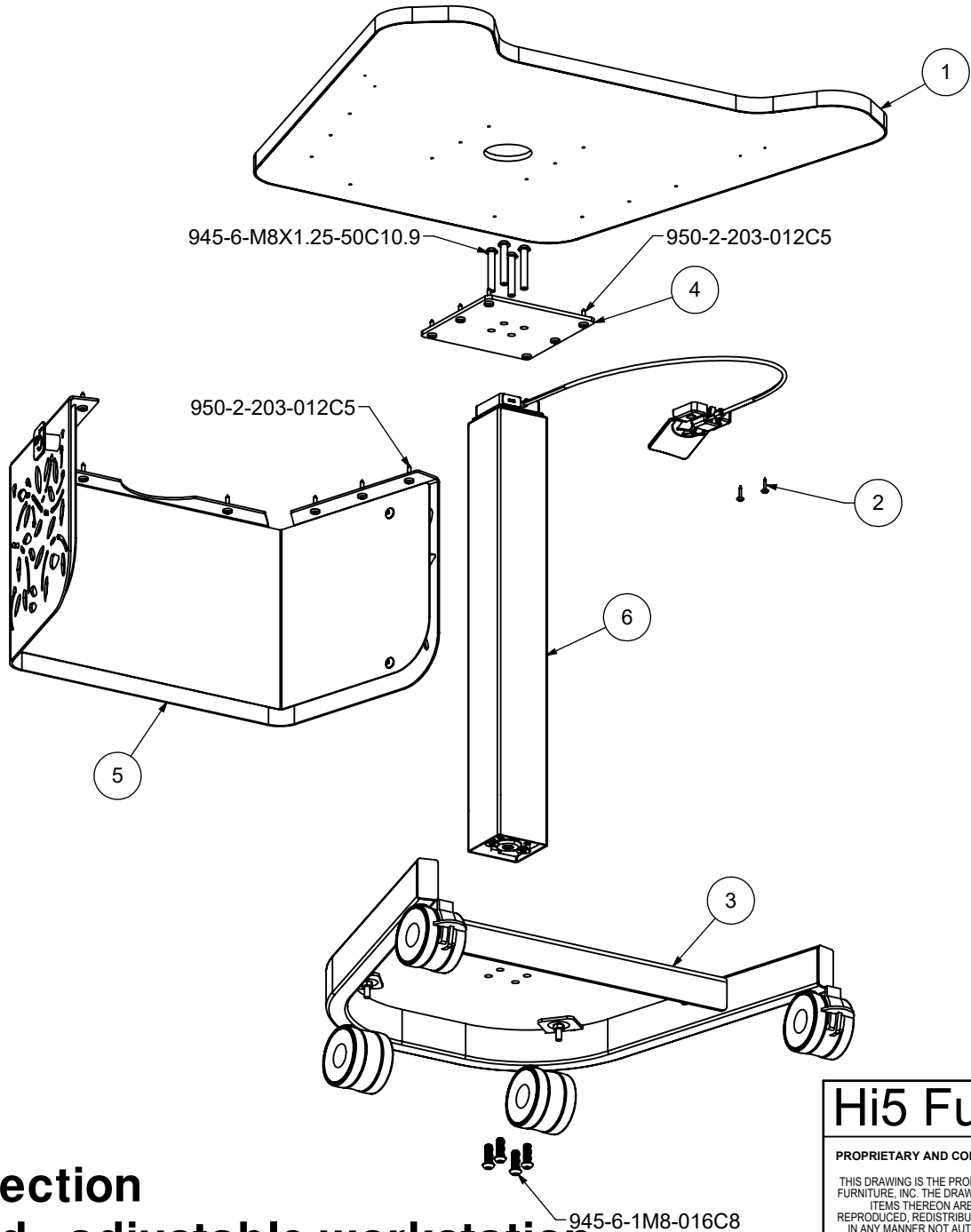
## Gather Collection In the Round - adjustable workstation

Model Code:

GRIN2

<b>Hi5 Furniture, Inc.</b>						
<b>PROPRIETARY AND CONFIDENTIAL</b>	NOMINAL DIMENSIONS ± 1.00"					
THIS DRAWING IS THE PROPERTY OF HIS FURNITURE, INC. THE DRAWING NOR THE ITEMS THEREON ARE TO BE REPRODUCED, REDISTRIBUTED OR USED IN ANY MANNER NOT AUTHORIZED IN WRITING BY AN OFFICER OR AGENT THEREOF.	<table border="1"> <tr> <td>Date Created: 1/20/2025</td> <td>Drawn By: MCJ</td> </tr> <tr> <td>Revision: A</td> <td>Scale: 1:8</td> </tr> </table>		Date Created: 1/20/2025	Drawn By: MCJ	Revision: A	Scale: 1:8
Date Created: 1/20/2025	Drawn By: MCJ					
Revision: A	Scale: 1:8					
Sheet 1 of 3						

CUSTOMER APPROVAL & ASSEMBLY DRAWING



# Gather Collection

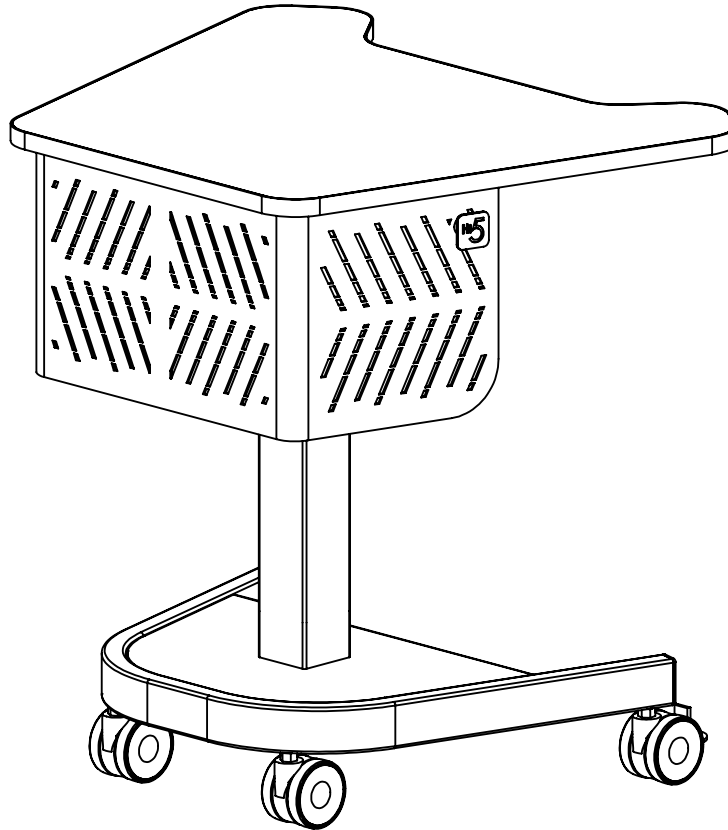
## In the Round - adjustable workstation

Model Code:  
GRIN2

<b>Hi5 Furniture, Inc.</b>	
<b>PROPRIETARY AND CONFIDENTIAL</b>	
THIS DRAWING IS THE PROPERTY OF HIS FURNITURE, INC. THE DRAWING NOR THE ITEMS THEREON ARE TO BE REPRODUCED, REDISTRIBUTED OR USED IN ANY MANNER NOT AUTHORIZED IN WRITING BY AN OFFICER OR AGENT THEREOF.	
NOMINAL DIMENSIONS ± 1.00"	
Date Created: 1/20/2025	Drawn By: MCJ
Revision: A	Scale: 1:8
Sheet 2 of 3	



ITEM NO.	PART NUMBER	DESCRIPTION	QTY.
1	L73.GRIN	Table Top, 23.25" wide x 27.75" long x .75" thick one piece HPL custom shape with 2mm PVC edges.	1
2	950-2-201-010C5	#8 x 5/8" Sheet Metal Screw, standard point zinc plated steel, Pan head, Phillips Drive, Drive #2, Drill Size #21	2
3	GRIN-Base.F-XX.P-XX+	In The Round base.	1
4	GRIN-Mount.XX+	In The Round mount plate	1
5	GRIN3.O-XX.I-XX+	Formed modesty panel.	1
6	HAPC.26LBS.XX	Pneumatic height adjustable column from 22.25 to 35.64". 15 to 37 lbs.	1



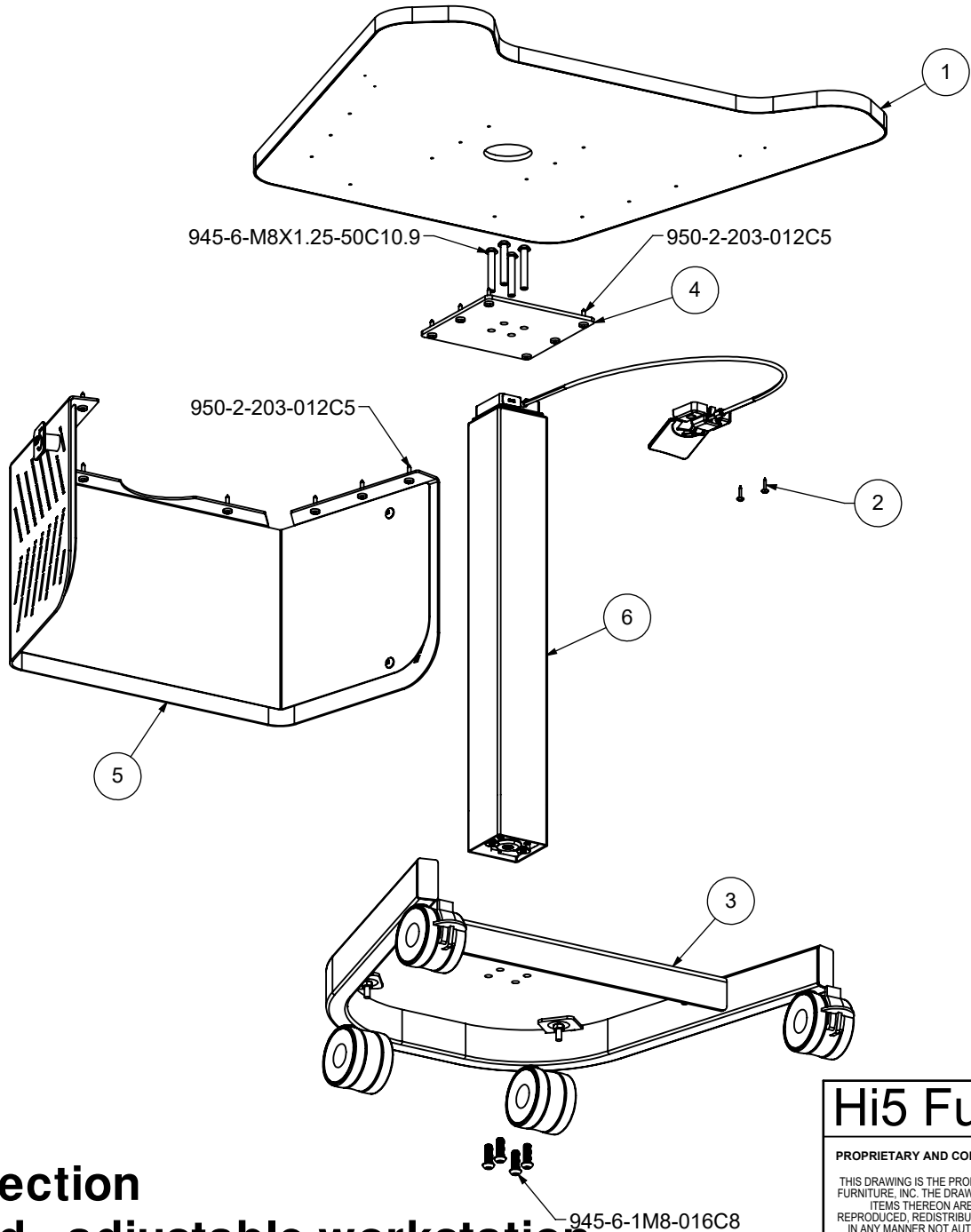
CUSTOMER APPROVAL & ASSEMBLY DRAWING

\\hi5dcfs1\common\hi5 Engineering\COLLECTIONS\GATHER\GRIN - In The Round\GRIN TABLES\GRIN3

# Gather Collection In the Round - adjustable workstation

Model Code:  
**GRIN3**

<b>Hi5 Furniture, Inc.</b>		
<b>PROPRIETARY AND CONFIDENTIAL</b>	NOMINAL DIMENSIONS ± 1.00"	
THIS DRAWING IS THE PROPERTY OF HIS FURNITURE, INC. THE DRAWING NOR THE ITEMS THEREON ARE TO BE REPRODUCED, REDISTRIBUTED OR USED IN ANY MANNER NOT AUTHORIZED IN WRITING BY AN OFFICER OR AGENT THEREOF.	Date Created: 9/9/2024 Drawn By: Bryan Revision: A Scale: 1:8	
	Sheet 1 of 3	



# Gather Collection

## In the Round - adjustable workstation

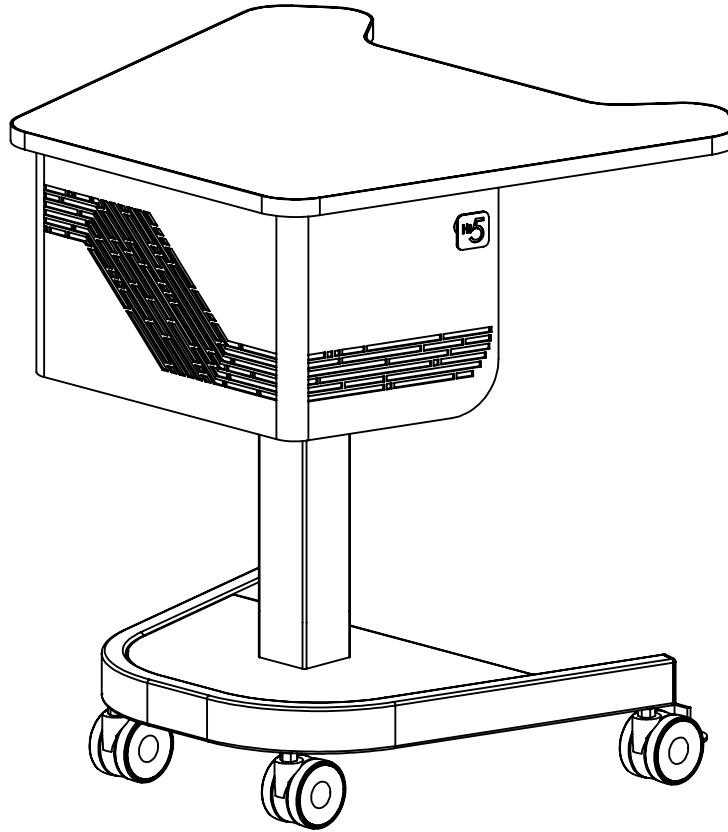
Model Code:  
**GRIN3**

<b>Hi5 Furniture, Inc.</b>	
<b>PROPRIETARY AND CONFIDENTIAL</b>	
THIS DRAWING IS THE PROPERTY OF HIS FURNITURE, INC. THE DRAWING NOR THE ITEMS THEREON ARE TO BE REPRODUCED, REDISTRIBUTED OR USED IN ANY MANNER NOT AUTHORIZED IN WRITING BY AN OFFICER OR AGENT THEREOF.	
NOMINAL DIMENSIONS ± 1.00"	
Date Created: 9/9/2024	Drawn By: Bryan
Revision: A	Scale: 1:8
Sheet 2 of 3	





ITEM NO.	PART NUMBER	DESCRIPTION	QTY.
1	L73.GRIN	Table Top, 23.25" wide x 27.75" long x .75" thick one piece HPL custom shape with 2mm PVC edges.	1
2	950-2-201-010C5	#8 x 5/8" Sheet Metal Screw, standard point zinc plated steel, Pan head, Phillips Drive, Drive #2, Drill Size #21	2
3	GRIN-Base.F-XX.P-XX+	In The Round base.	1
4	GRIN-Mount.XX+	In The Round mount plate	1
5	GRIN4.O-XX.I-XX+	Formed modesty panel	1
6	HAPC.26LBS.XX	Pneumatic height adjustable column from 22.25 to 35.64". 15 to 37 lbs.	1



# Gather Collection

## In the Round - adjustable workstation

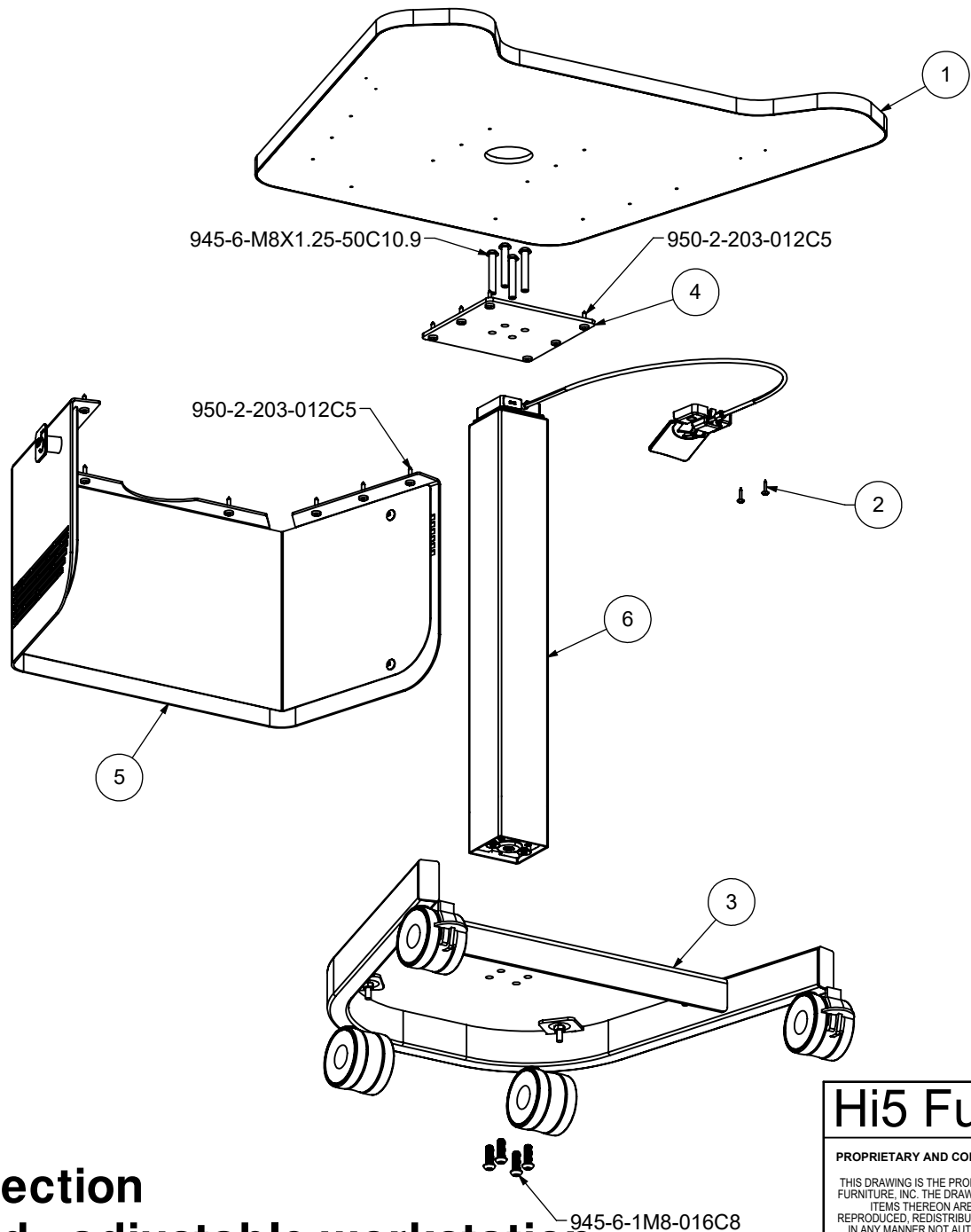
Model Code:

GRIN4

<b>Hi5 Furniture, Inc.</b>										
<b>PROPRIETARY AND CONFIDENTIAL</b>	NOMINAL DIMENSIONS ± 1.00"									
THIS DRAWING IS THE PROPERTY OF HIS FURNITURE, INC. THE DRAWING NOR THE ITEMS THEREON ARE TO BE REPRODUCED, REDISTRIBUTED OR USED IN ANY MANNER NOT AUTHORIZED IN WRITING BY AN OFFICER OR AGENT THEREOF.	<table border="1"> <tr> <td>Date Created:</td> <td>Drawn By:</td> </tr> <tr> <td>1/21/2025</td> <td>MCJ</td> </tr> <tr> <td>Revision:</td> <td>Scale:</td> </tr> <tr> <td>A</td> <td>1:8</td> </tr> </table>		Date Created:	Drawn By:	1/21/2025	MCJ	Revision:	Scale:	A	1:8
Date Created:	Drawn By:									
1/21/2025	MCJ									
Revision:	Scale:									
A	1:8									
Sheet 1 of 3										

\\hi5dcfs1\common\Hi5 Engineering\COLLECTIONS\GATHER\GRIN - In The Round\CUSTOMER DRAWINGS\GRIN4

CUSTOMER APPROVAL & ASSEMBLY DRAWING



# Gather Collection

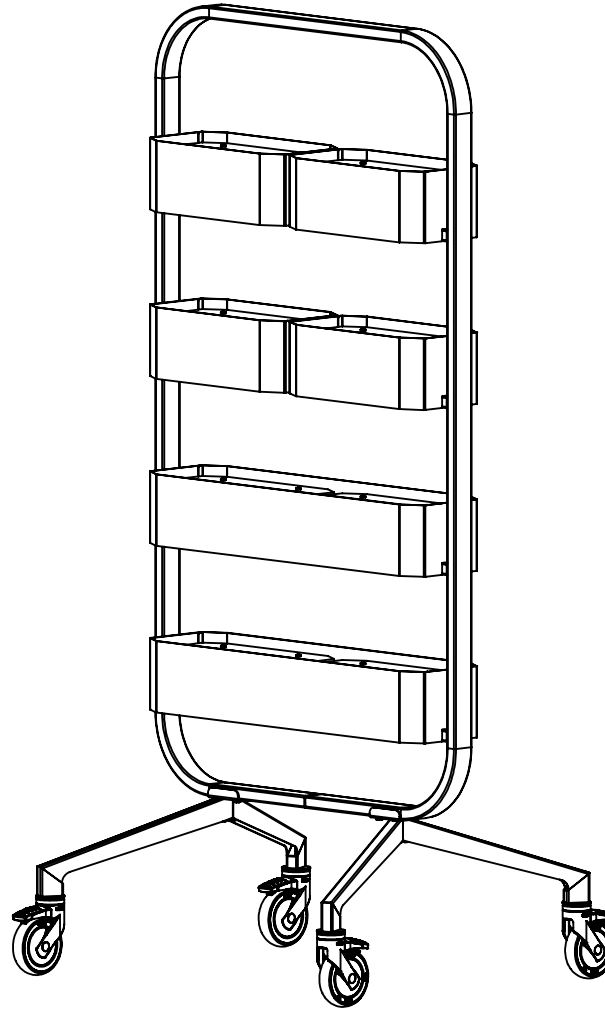
## In the Round - adjustable workstation

Model Code:  
**GRIN4**

<b>Hi5 Furniture, Inc.</b>	
<b>PROPRIETARY AND CONFIDENTIAL</b>	
THIS DRAWING IS THE PROPERTY OF HIS FURNITURE, INC. THE DRAWING NOR THE ITEMS THEREON ARE TO BE REPRODUCED, REDISTRIBUTED OR USED IN ANY MANNER NOT AUTHORIZED IN WRITING BY AN OFFICER OR AGENT THEREOF.	
NOMINAL DIMENSIONS ± 1.00"	
Date Created: 1/21/2025	Drawn By: MCJ
Revision: A	Scale: 1:8
Sheet 2 of 3	



ITEM NO.	PART NUMBER	DESCRIPTION	QTY.
1	GRAT.P.8x16.XX	Plants	8
2	GRPEP0.XX+	Divider frame, four supports, 36.0" x 66.25"	1
3	GR-FOOT.XX+	Frame Foot, 15.0" high x 30.6" spread	2
4	GRPE-H.XX+	Small planter	4
5	GRPE-L.XX+	Large planter	2



CUSTOMER APPROVAL & ASSEMBLY DRAWING

Y:\Hi5 Engineering\COLLECTIONS\GATHER\GRPE - Perimeter\Customer Drawings\GRPEHLL

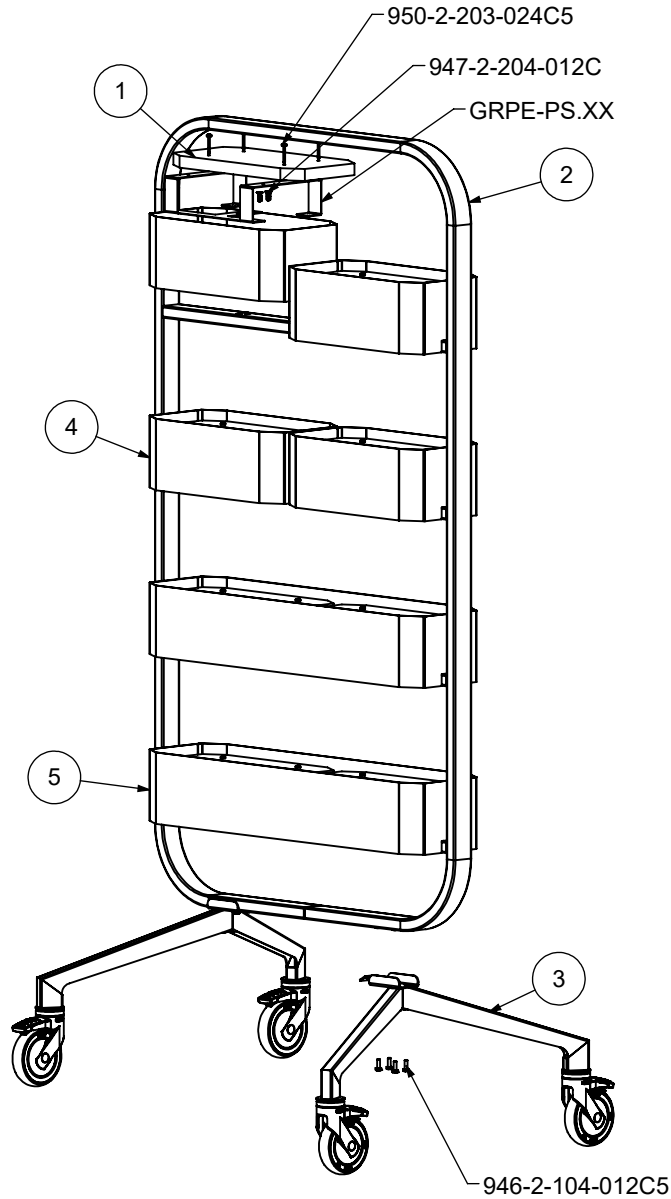
# Gather Collection

## Perimeter - mobile task wall

Model Code:  
GRPEHLL

<b>Hi5 Furniture, Inc.</b>						
<b>PROPRIETARY AND CONFIDENTIAL</b>	NOMINAL DIMENSIONS ± 1.00"					
THIS DRAWING IS THE PROPERTY OF HIS FURNITURE, INC. THE DRAWING NOR THE ITEMS THEREON ARE TO BE REPRODUCED, REDISTRIBUTED OR USED IN ANY MANNER NOT AUTHORIZED IN WRITING BY AN OFFICER OR AGENT THEREOF.	<table border="1"> <tr> <td>Date Created: 8/10/2024</td> <td>Drawn By: Bryan</td> </tr> <tr> <td>Revision: A</td> <td>Scale: 1:16</td> </tr> </table>		Date Created: 8/10/2024	Drawn By: Bryan	Revision: A	Scale: 1:16
Date Created: 8/10/2024	Drawn By: Bryan					
Revision: A	Scale: 1:16					
Sheet 1 of 3						


Y:\Hi5 Engineering\COLLECTIONS\GATHER\GRPE - Perimeter\Customer Drawings\GRPEHLL



# Gather Collection

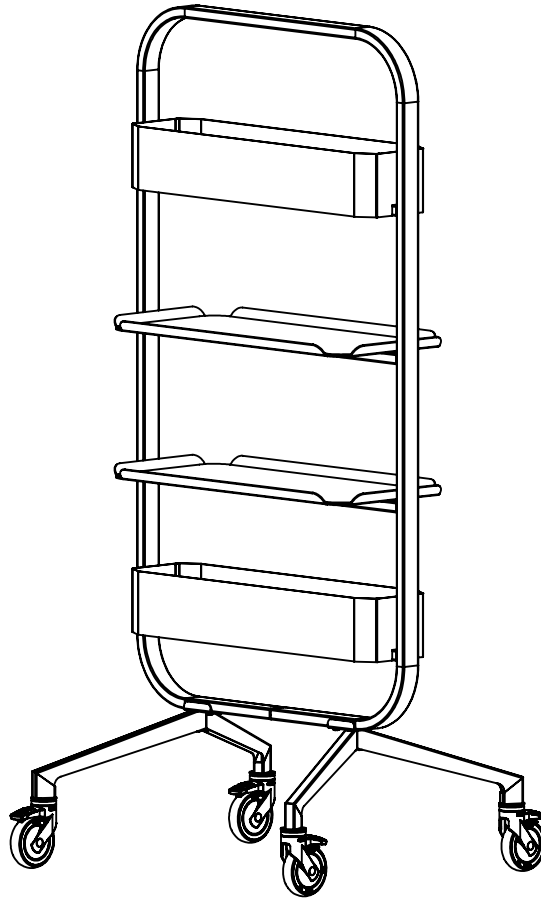
## Perimeter - mobile task wall

Model Code:  
 GRPEHLL

<b>Hi5 Furniture, Inc.</b>			
<b>PROPRIETARY AND CONFIDENTIAL</b>	NOMINAL DIMENSIONS ± 1.00"		
<small>THIS DRAWING IS THE PROPERTY OF HIS FURNITURE, INC. THE DRAWING NOR THE ITEMS THEREON ARE TO BE REPRODUCED, REDISTRIBUTED OR USED IN ANY MANNER NOT AUTHORIZED IN WRITING BY AN OFFICER OR AGENT THEREOF.</small>	Date Created: 8/10/2024		Drawn By: Bryan
	Revision: A		Scale: 1:16
Sheet 2 of 3			

CUSTOMER APPROVAL & ASSEMBLY DRAWING

ITEM NO.	PART NUMBER	DESCRIPTION	QTY.
1	GRPEP0.XX+	Divider frame, four supports, 36.0" x 66.25"	1
2	GR-FOOT.XX+	Frame Foot, 15.0" high x 30.6" spread	2
3	GRPE-Shelf.XX+	Shelf, 15.5" x 33.0"	2
4	GRPE-L.XX+	Large planter	2
5	GRHUSH.PRS.15x29.XX	Shelf cover.	1
6	GRAT.P.8x16.XX	Plants	4



## Gather Collection Perimeter - mobile task

REVISIONS			
REV.	DESCRIPTION	DATE	APPROVED
B	Multiple minor changes.	12/26/2024	MOR

<b>Hi5 Furniture, Inc.</b>		
<b>PROPRIETARY AND CONFIDENTIAL</b>		
<small>NOMINAL DIMENSIONS ± 1.00"</small> <small>THIS DRAWING IS THE PROPERTY OF HIS FURNITURE, INC. THE DRAWING NOR THE ITEMS THEREON ARE TO BE REPRODUCED, REDISTRIBUTED OR USED IN ANY MANNER NOT AUTHORIZED IN WRITING BY AN OFFICER OR AGENT THEREOF.</small>		
<small>Date Created:</small> 8/10/2024	<small>Drawn By:</small> Bryan	
<small>Revision:</small> B	<small>Scale:</small> 1:18	<small>Sheet 1 of 3</small>

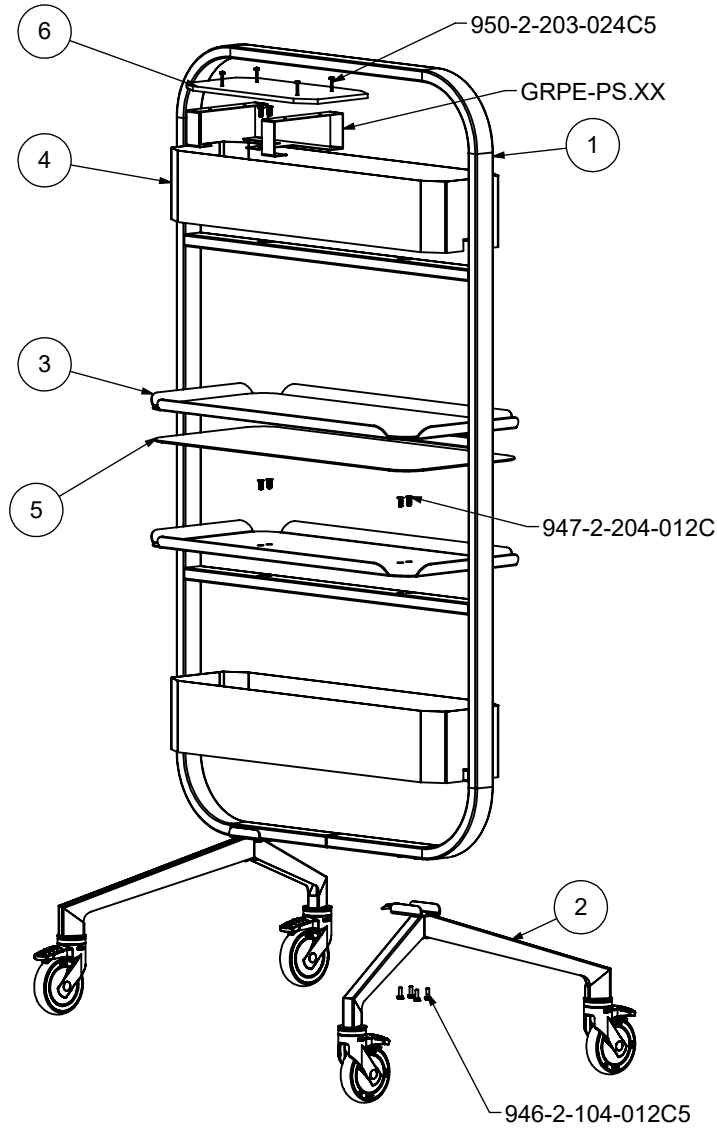
Model Code:

GRPELSSL

\\hi5dcfs1\common\Hi5\_Engineering\COLLECTIONS\GATHER\GRPE - Perimeter\_ Customer Drawings\GRPELSSL

CUSTOMER APPROVAL & ASSEMBLY DRAWING


\\hi5dcfs1\common\hi5\_Engineering\COLLECTIONS\GATHER\GRPE - Perimeter\_Customer Drawings\GRPELSSL



# Gather Collection

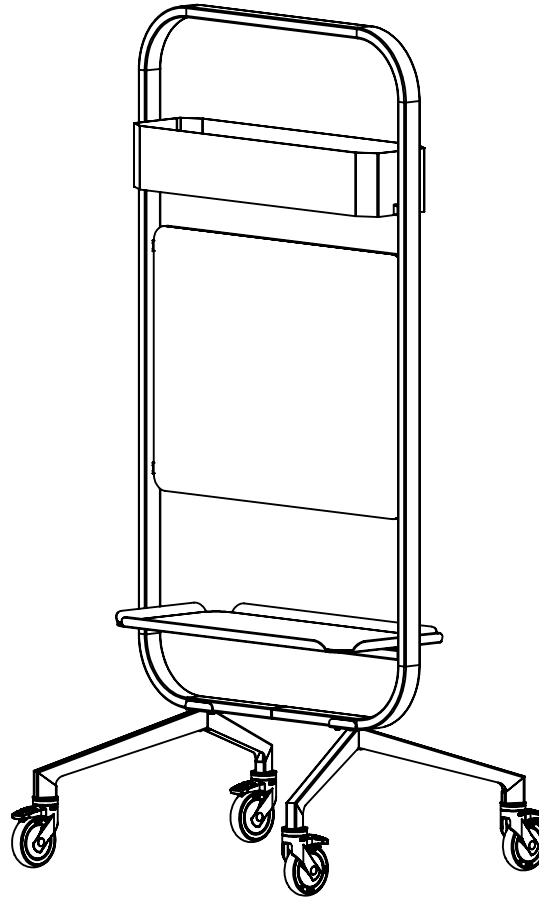
## Perimeter - mobile task wall

Model Code:  
GRPELSSL

<b>Hi5 Furniture, Inc.</b>			
<b>PROPRIETARY AND CONFIDENTIAL</b>	NOMINAL DIMENSIONS ± 1.00"		
<small>THIS DRAWING IS THE PROPERTY OF HIS FURNITURE, INC. THE DRAWING NOR THE ITEMS THEREON ARE TO BE REPRODUCED, REDISTRIBUTED OR USED IN ANY MANNER NOT AUTHORIZED IN WRITING BY AN OFFICER OR AGENT THEREOF.</small>	Date Created: 8/10/2024		Drawn By: Bryan
	Revision: B		Scale: 1:16
Sheet 2 of 3			


CUSTOMER APPROVAL & ASSEMBLY DRAWING

ITEM NO.	PART NUMBER	DESCRIPTION	QTY.
1	GRPEP2-WP.XX+	White board frame, PET exterior face, 36.0" x 66.25"	1
2	GR-FOOT.XX+	Frame Foot, 15.0" high x 30.6" spread	2
3	GRPE-Shelf.XX+	Shelf, 15.5" x 33.0"	1
4	GRPE-L.XX+	Large planter	1
5	GRPEP.XX	PET half panel cover	1
6	GRHUSH.PRS.15x29.XX	Shelf cover.	1
7	GRAT.P.8x16.XX	Plants	2



## Gather Collection Perimeter - mobile task wall

REVISIONS			
REV.	DESCRIPTION	DATE	APPROVED
B	Multiple minor changes.	12/26/2024	MOR

<b>Hi5 Furniture, Inc.</b>			
<b>PROPRIETARY AND CONFIDENTIAL</b>	NOMINAL DIMENSIONS ± 1.00"		
<small>THIS DRAWING IS THE PROPERTY OF HIS FURNITURE, INC. THE DRAWING NOR THE ITEMS THEREON ARE TO BE REPRODUCED, REDISTRIBUTED OR USED IN ANY MANNER NOT AUTHORIZED IN WRITING BY AN OFFICER OR AGENT THEREOF.</small>	Date Created: 8/12/2024		Drawn By: Bryan
	Revision: B		Scale: 1:18
Sheet 1 of 3			

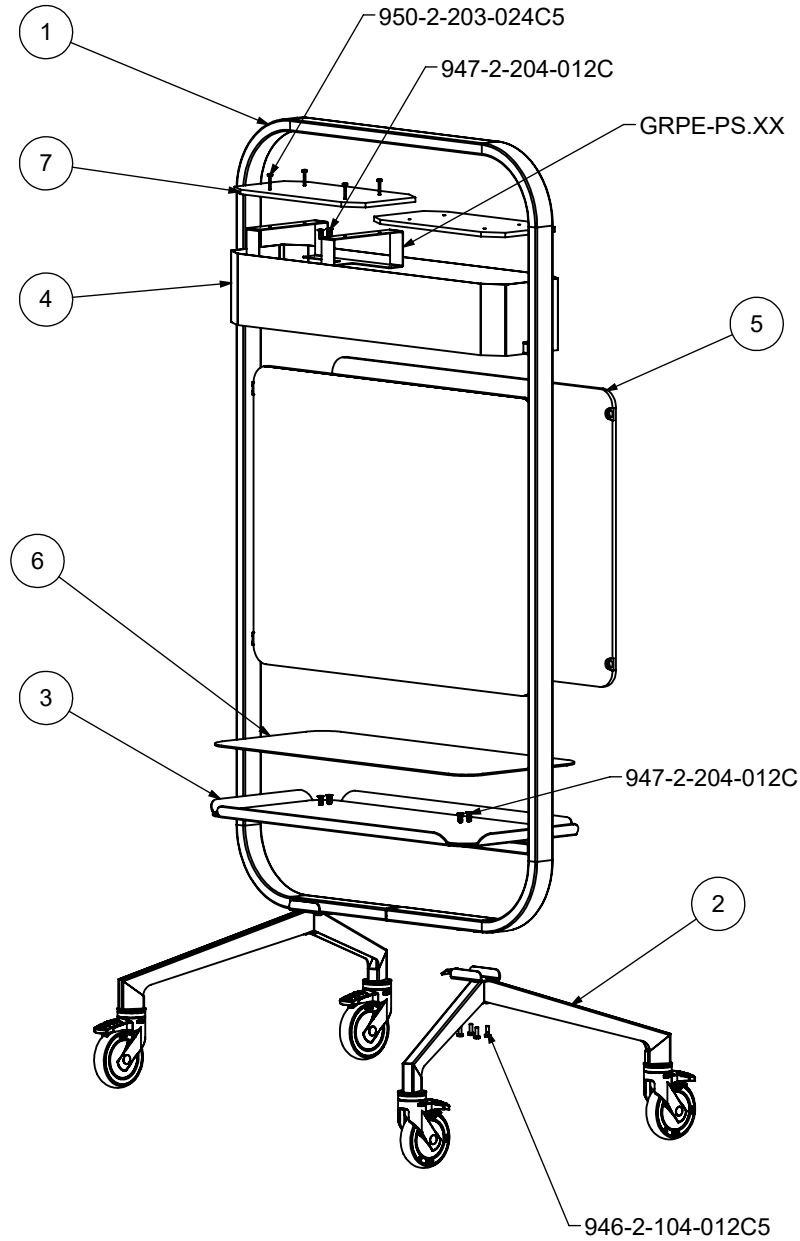
Model Code:

**GRPELWPS**

\\hi5dcfs1\com\hi5\Engineering\COLLECTIONS\GATHER\GRPE - Perimeter\\_Customer Drawings\GRPELWPS

CUSTOMER APPROVAL & ASSEMBLY DRAWING

\\hi5dcfs1\common\hi5\_Engineering\COLLECTIONS\GATHER\GRPE - Perimeter\_ Customer Drawings\GRPELWPS



# Gather Collection

## Perimeter - mobile task wall

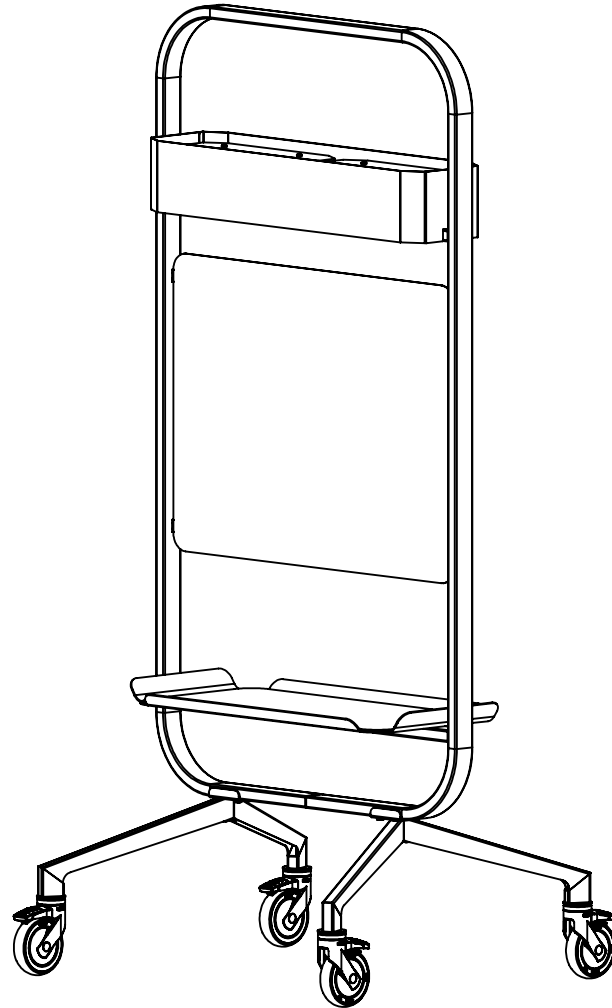
Model Code:  
GRPELWPS

<b>Hi5 Furniture, Inc.</b>						
<b>PROPRIETARY AND CONFIDENTIAL</b>	NOMINAL DIMENSIONS ± 1.00"					
THIS DRAWING IS THE PROPERTY OF HIS FURNITURE, INC. THE DRAWING NOR THE ITEMS THEREON ARE TO BE REPRODUCED, REDISTRIBUTED OR USED IN ANY MANNER NOT AUTHORIZED IN WRITING BY AN OFFICER OR AGENT THEREOF.	<table border="1"> <tr> <td>Date Created: 8/12/2024</td> <td>Drawn By: Bryan</td> </tr> <tr> <td>Revision: B</td> <td>Scale: 1:16</td> </tr> </table>		Date Created: 8/12/2024	Drawn By: Bryan	Revision: B	Scale: 1:16
Date Created: 8/12/2024	Drawn By: Bryan					
Revision: B	Scale: 1:16					
Sheet 2 of 3						

CUSTOMER APPROVAL & ASSEMBLY DRAWING




ITEM NO.	PART NUMBER	DESCRIPTION	QTY.
1	GRHUSH.PRS.15x29.XX	Shelf cover.	1
2	GRAT.P.8x16.XX	Plants	2
3	GRPEP2-WW.XX+	White board frame with white board 37.0" x 66.25"	1
4	GR-FOOT.XX+	Frame Foot, 15.0" high x 30.6" spread	2
5	GRPE-Shelf.XX+	Shelf, 15.5" x 33.0"	1
6	GRPE-L.XX+	Large planter	1



# Gather Collection

## Perimeter - mobile task wall

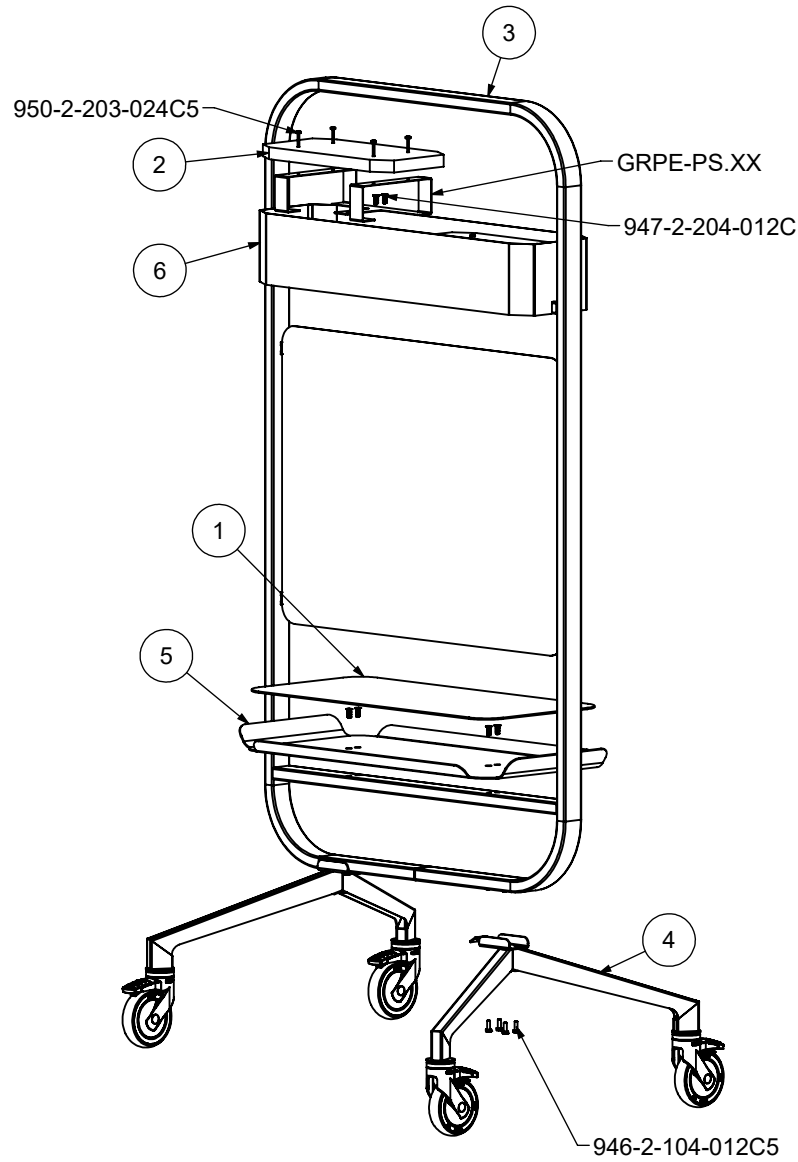
Model Code:  
GRPELWWS

<b>Hi5 Furniture, Inc.</b>						
<b>PROPRIETARY AND CONFIDENTIAL</b>	NOMINAL DIMENSIONS ± 1.00"					
THIS DRAWING IS THE PROPERTY OF HIS FURNITURE, INC. THE DRAWING NOR THE ITEMS THEREON ARE TO BE REPRODUCED, REDISTRIBUTED OR USED IN ANY MANNER NOT AUTHORIZED IN WRITING BY AN OFFICER OR AGENT THEREOF.	<table border="1"> <tr> <td>Date Created: 8/12/2024</td> <td>Drawn By: Bryan</td> </tr> <tr> <td>Revision: A</td> <td>Scale: 1:16</td> </tr> </table>		Date Created: 8/12/2024	Drawn By: Bryan	Revision: A	Scale: 1:16
Date Created: 8/12/2024	Drawn By: Bryan					
Revision: A	Scale: 1:16					
Sheet 1 of 3						

Y:\Hi5 Engineering\COLLECTIONS\GATHER\GRPE - Perimeter\Customer Drawings\GRPELWWS

CUSTOMER APPROVAL & ASSEMBLY DRAWING


Y:\Hi5 Engineering\COLLECTIONS\GATHER\GRPE - Perimeter\Customer Drawings\GRPELWWS



# Gather Collection

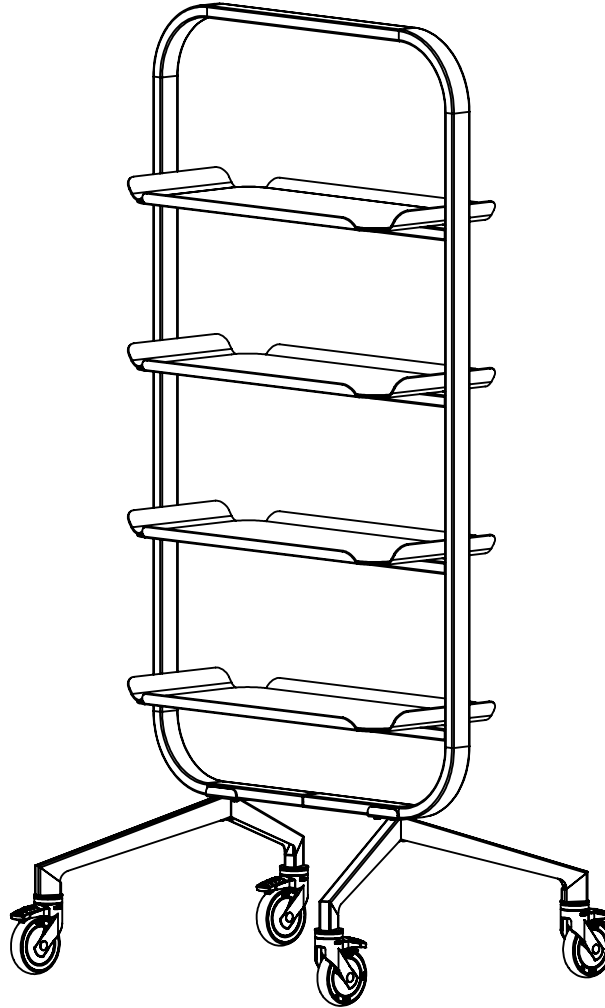
## Perimeter - mobile task wall

Model Code:  
GRPELWWS

<b>Hi5 Furniture, Inc.</b>			
<b>PROPRIETARY AND CONFIDENTIAL</b>	NOMINAL DIMENSIONS ± 1.00"		
<small>THIS DRAWING IS THE PROPERTY OF HIS FURNITURE, INC. THE DRAWING NOR THE ITEMS THEREON ARE TO BE REPRODUCED, REDISTRIBUTED OR USED IN ANY MANNER NOT AUTHORIZED IN WRITING BY AN OFFICER OR AGENT THEREOF.</small>	Date Created: 8/12/2024		Drawn By: Bryan
	Revision: A		Scale: 1:16
Sheet 2 of 3			


CUSTOMER APPROVAL & ASSEMBLY DRAWING

ITEM NO.	PART NUMBER	DESCRIPTION	QTY.
1	GRHUSH.PRS.15x29.XX	Shelf cover.	2
2	GRPEP0.XX+	Divider frame, four supports, 36.0" x 66.25"	1
3	GR-FOOT.XX+	Frame Foot, 15.0" high x 30.6" spread	2
4	GRPE-Shelf.XX+	Shelf, 15.5" x 33.0"	4



## Gather Collection Perimeter - mobile task wall

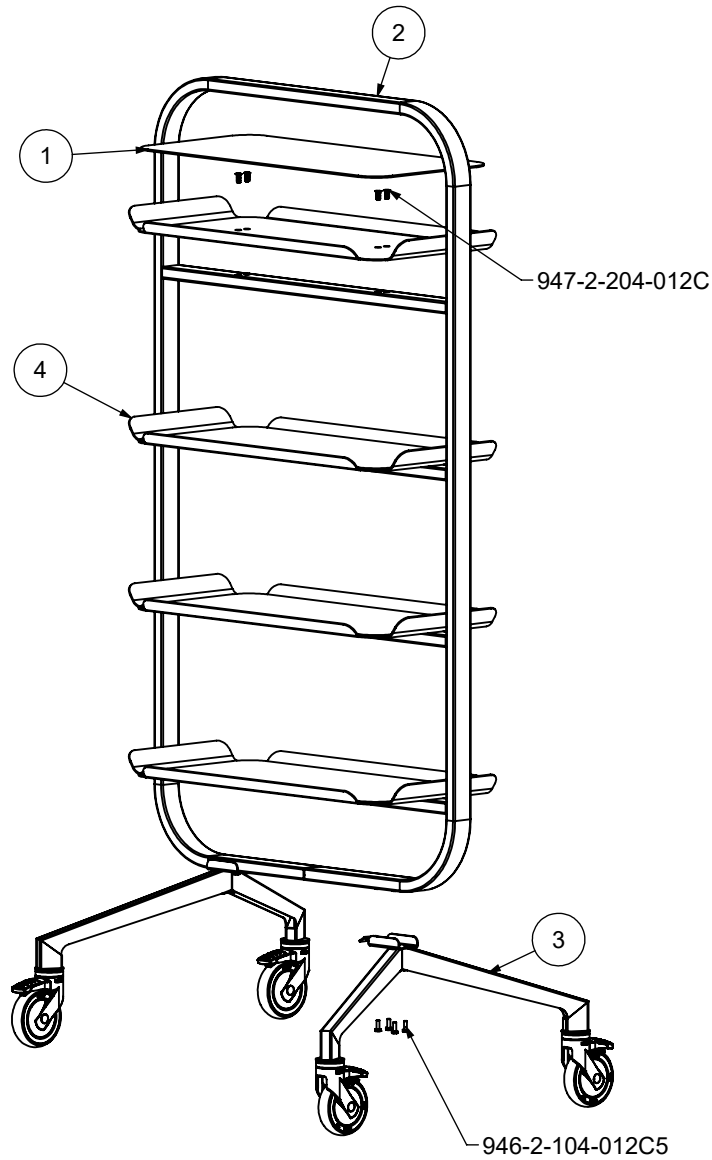
REVISIONS			
REV.	DESCRIPTION	DATE	APPROVED
B	Saved from CJ-RD-75	8/11/2024	BCS

<b>Hi5 Furniture, Inc.</b>		
<b>PROPRIETARY AND CONFIDENTIAL</b>	NOMINAL DIMENSIONS ± 1.00"	
THIS DRAWING IS THE PROPERTY OF HIS FURNITURE, INC. THE DRAWING NOR THE ITEMS THEREON ARE TO BE REPRODUCED, REDISTRIBUTED OR USED IN ANY MANNER NOT AUTHORIZED IN WRITING BY AN OFFICER OR AGENT THEREOF.	Date Created: 4/17/2024 Drawn By: Bryan Revision: B Scale: 1:16	
Sheet 1 of 3		

Model Code:  
**GRPESSSS**

Y:\Hi5 Engineering\COLLECTIONS\GATHER\GRPE - Perimeter\Customer Drawings\GRPESSSS


CUSTOMER APPROVAL & ASSEMBLY DRAWING



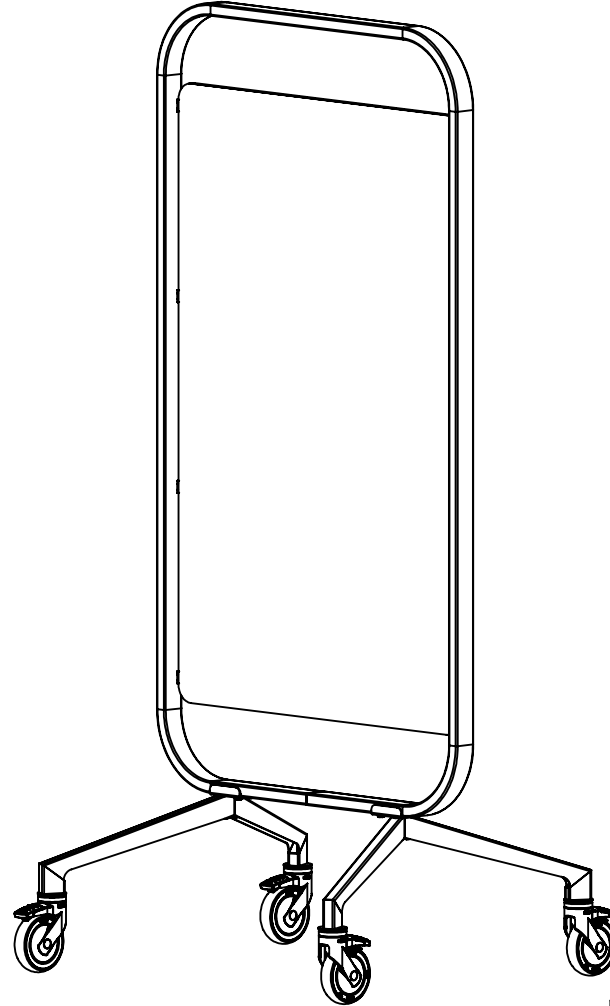
# Gather Collection

## Perimeter - mobile task wall

Model Code:  
GRPESSSS


<b>Hi5 Furniture, Inc.</b>			
<b>PROPRIETARY AND CONFIDENTIAL</b>	NOMINAL DIMENSIONS ± 1.00"		
<small>THIS DRAWING IS THE PROPERTY OF HIS FURNITURE, INC. THE DRAWING NOR THE ITEMS THEREON ARE TO BE REPRODUCED, REDISTRIBUTED OR USED IN ANY MANNER NOT AUTHORIZED IN WRITING BY AN OFFICER OR AGENT THEREOF.</small>	Date Created: 4/17/2024		Drawn By: Bryan
	Revision: B		Scale: 1:16
Sheet 2 of 3			

ITEM NO.	PART NUMBER	DESCRIPTION	QTY.
1	GRPEP3-WP.XX+	White board frame, PET exterior face, 36.0" x 66.25"	1
2	GR-FOOT.XX+	Frame Foot, 15.0" high x 30.6" spread	2
3	GRILP-A.XX	PET full panel cover	1



# Gather Collection Perimeter - mobile task wall

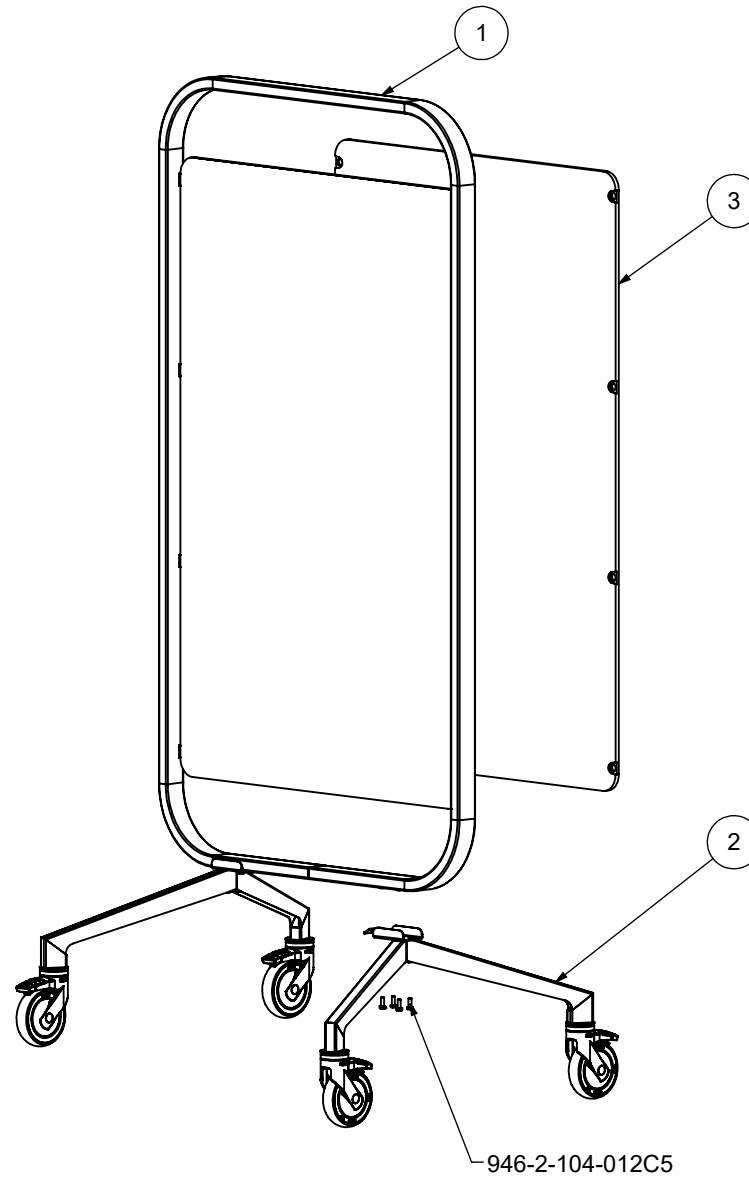
Model Code:  
GRPEW3

<b>Hi5 Furniture, Inc.</b>			
<b>PROPRIETARY AND CONFIDENTIAL</b>	NOMINAL DIMENSIONS ± 1.00"		
<small>THIS DRAWING IS THE PROPERTY OF HIS FURNITURE, INC. THE DRAWING NOR THE ITEMS THEREON ARE TO BE REPRODUCED, REDISTRIBUTED OR USED IN ANY MANNER NOT AUTHORIZED IN WRITING BY AN OFFICER OR AGENT THEREOF.</small>	Date Created: 12/23/2024		Drawn By: MOR
	Revision: A		Scale: 1:16
Sheet 1 of 3			

\\hi5dcfs1\common\hi5\_Engineering\COLLECTIONS\GATHER\GRPE - Perimeter\_ Customer Drawings\GRPEW3

CUSTOMER APPROVAL & ASSEMBLY DRAWING

\\hi5dcfs1\common\Hi5\_Engineering\COLLECTIONS\GATHER\GRPE - Perimeter\_Customer Drawings\GRPEW3



# Gather Collection

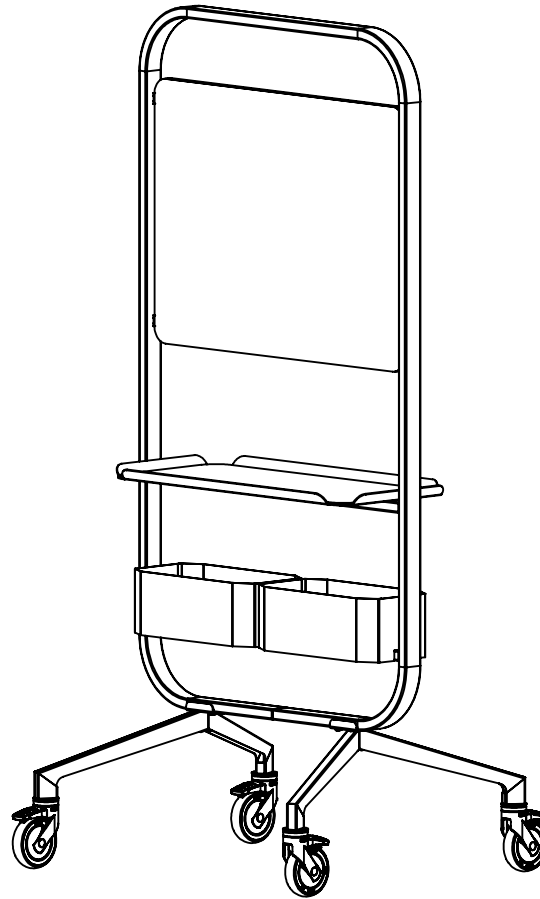
## Perimeter - mobile task wall

Model Code:  
GRPEW3

<b>Hi5 Furniture, Inc.</b>			
<b>PROPRIETARY AND CONFIDENTIAL</b>	NOMINAL DIMENSIONS ± 1.00"		
THIS DRAWING IS THE PROPERTY OF HIS FURNITURE, INC. THE DRAWING NOR THE ITEMS THEREON ARE TO BE REPRODUCED, REDISTRIBUTED OR USED IN ANY MANNER NOT AUTHORIZED IN WRITING BY AN OFFICER OR AGENT THEREOF.	Date Created: 12/23/2024 Revision: A		Drawn By: MOR Scale: 1:16
Sheet 2 of 3			


CUSTOMER APPROVAL & ASSEMBLY DRAWING

ITEM NO.	PART NUMBER	DESCRIPTION	QTY.
1	GRPEP1-WP.XX+	White board frame, PET exterior face, 36.0" x 66.25"	1
2	GR-FOOT.XX+	Frame Foot, 15.0" high x 30.6" spread	2
3	GRPE-Shelf.XX+	Shelf, 15.5" x 33.0"	1
4	GRPE-H.XX+	Small planter	2
5	GRHUSH.PRS.15x29.XX	Shelf cover.	1
6	GRPEP.XX	PET half panel cover	1
7	GRAT.P.8x16.XX	Plants	2



# Gather Collection Perimeter - mobile task wall

REVISIONS			
REV.	DESCRIPTION	DATE	APPROVED
B	Multiple minor changes.	12/26/2024	MOR

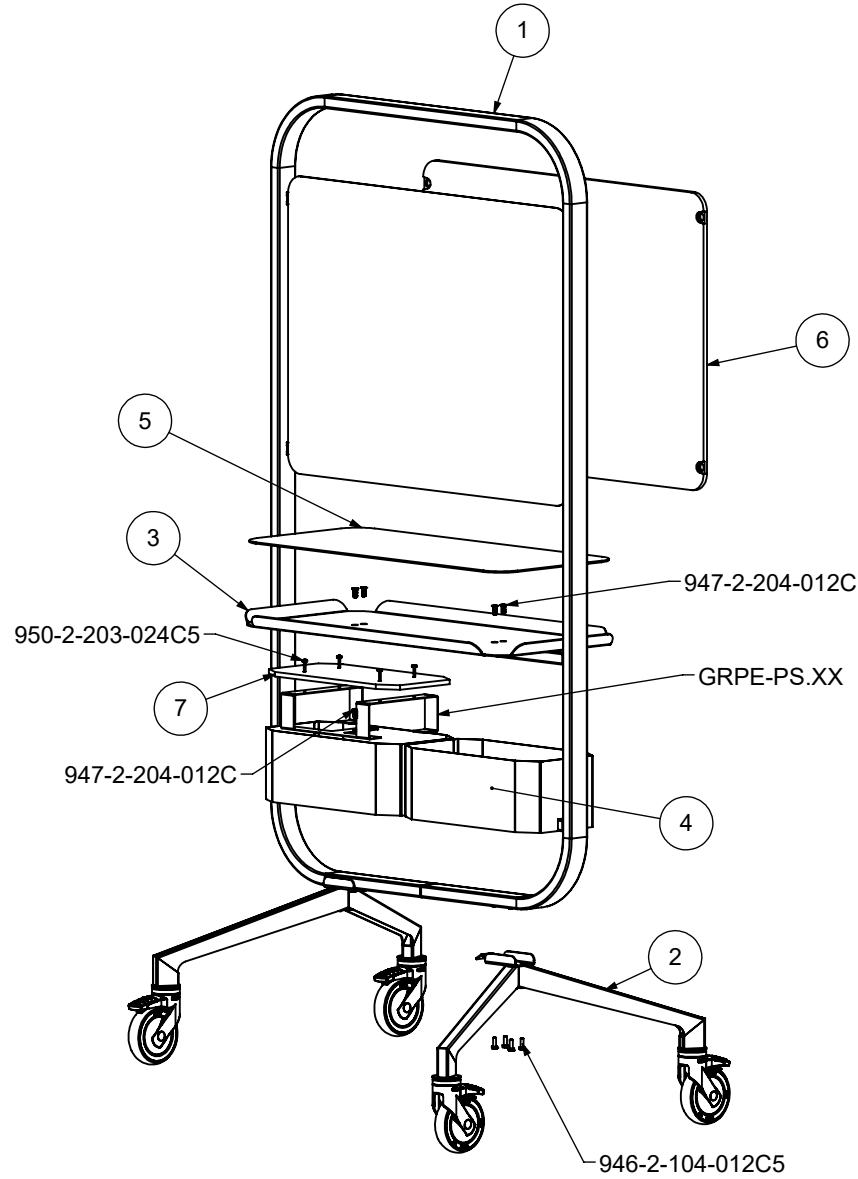
<b>Hi5 Furniture, Inc.</b>			
<b>PROPRIETARY AND CONFIDENTIAL</b>	NOMINAL DIMENSIONS ± 1.00"		
<small>THIS DRAWING IS THE PROPERTY OF HIS FURNITURE, INC. THE DRAWING NOR THE ITEMS THEREON ARE TO BE REPRODUCED, REDISTRIBUTED OR USED IN ANY MANNER NOT AUTHORIZED IN WRITING BY AN OFFICER OR AGENT THEREOF.</small>	Date Created: 11/22/2024		Drawn By: MCJ
	Revision: 12/26/2024		Scale: 1:18
Sheet 1 of 3			

\\hi5dcfs1\com\hi5\Engineering\COLLECTIONS\GATHER\GRPE - Perimeter\_ Customer Drawings\GRPEWPSH

CUSTOMER APPROVAL & ASSEMBLY DRAWING

Model Code:  
**GRPEWPSH**


\\hi5dcfs1\common\hi5\_Engineering\COLLECTIONS\GATHER\GRPE - Perimeter\_ Customer Drawings\GRPEWPSH



# Gather Collection

## Perimeter - mobile task

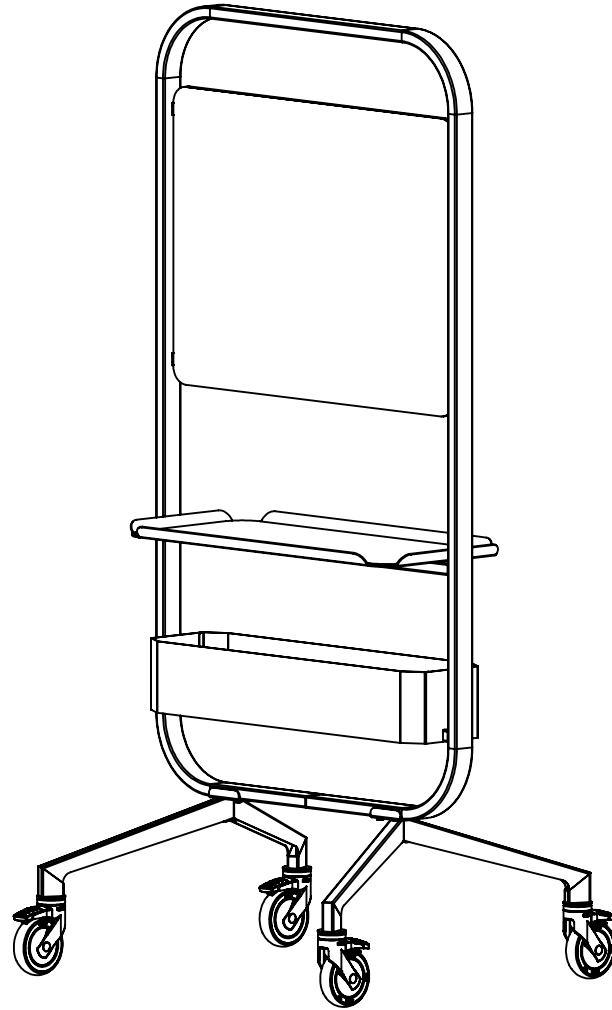
Model Code:  
GRPEWPSH

<b>Hi5 Furniture, Inc.</b>			
<b>PROPRIETARY AND CONFIDENTIAL</b>	NOMINAL DIMENSIONS ± 1.00"		
<small>THIS DRAWING IS THE PROPERTY OF HIS FURNITURE, INC. THE DRAWING NOR THE ITEMS THEREON ARE TO BE REPRODUCED, REDISTRIBUTED OR USED IN ANY MANNER NOT AUTHORIZED IN WRITING BY AN OFFICER OR AGENT THEREOF.</small>	Date Created:		Drawn By:
	Revision:		Scale:
		Sheet 2 of 3	

CUSTOMER APPROVAL & ASSEMBLY DRAWING




ITEM NO.	PART NUMBER	DESCRIPTION	QTY.
1	GRPEP1-WP.XX+	White board frame, PET exterior face, 36.0" x 66.25"	1
2	GR-FOOT.XX+	Frame Foot, 15.0" high x 30.6" spread	2
3	GRPE-L.XX+	Large planter	1
4	GRPE-Shelf.XX+	Shelf, 15.5" x 33.0"	1
5	GRHUSH.PRS.15x29.XX	Shelf cover.	1
6	GRPEP.XX	PET half panel cover	1
7	GRAT.P.8x16.XX	Plants	2



# Gather Collection Perimeter - mobile task wall

REVISIONS			
REV.	DESCRIPTION	DATE	APPROVED
B	Multiple minor changes.	12/26/2024	MOR

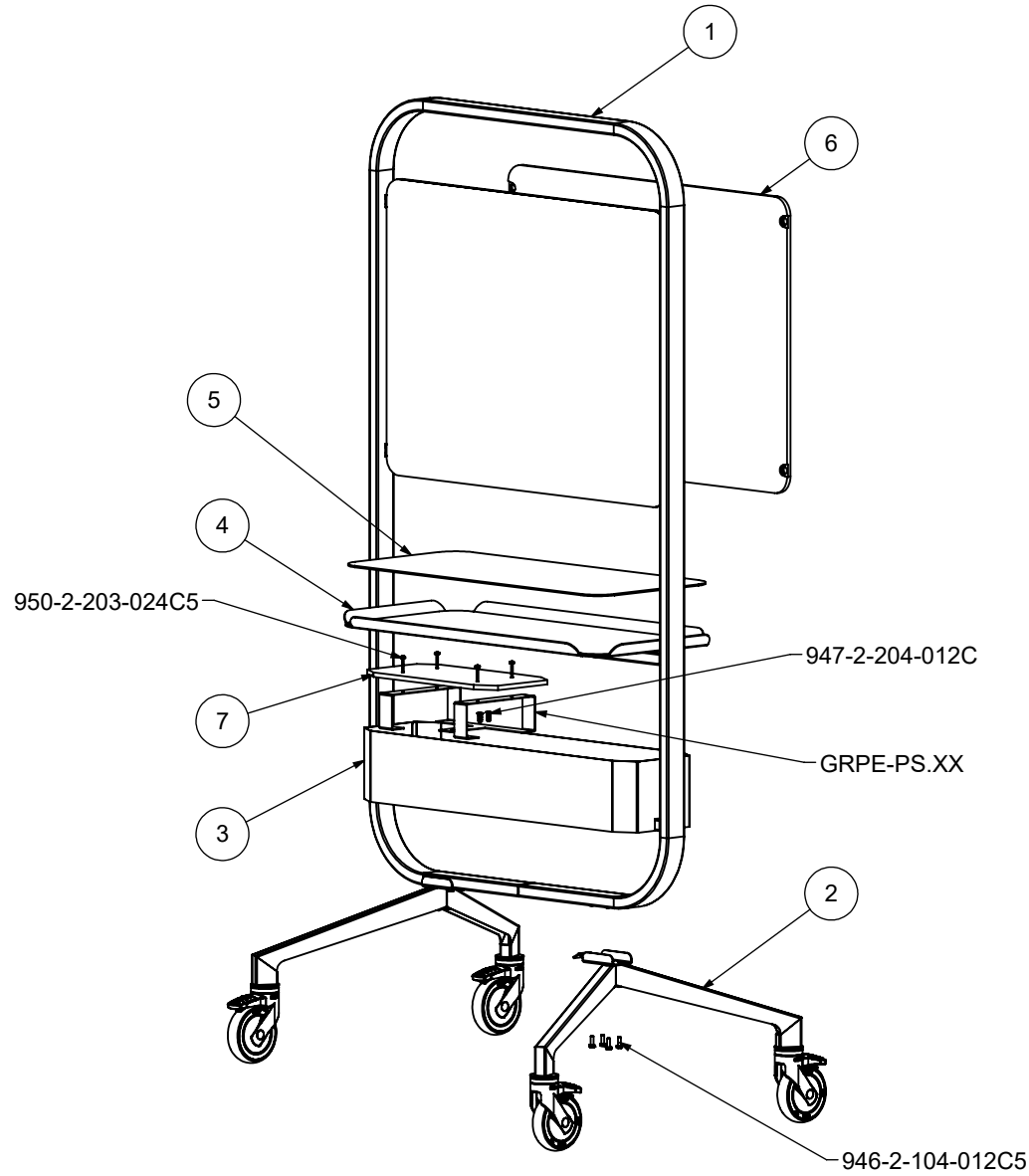
<b>Hi5 Furniture, Inc.</b>		
<b>PROPRIETARY AND CONFIDENTIAL</b>	NOMINAL DIMENSIONS ± 1.00"	
THIS DRAWING IS THE PROPERTY OF HIS FURNITURE, INC. THE DRAWING NOR THE ITEMS THEREON ARE TO BE REPRODUCED, REDISTRIBUTED OR USED IN ANY MANNER NOT AUTHORIZED IN WRITING BY AN OFFICER OR AGENT THEREOF.	Date Created: 8/10/2024 Drawn By: Bryan Revision: B Scale: 1:16	
Sheet 1 of 3		

\\hi5dcfs1\common\Hi5\_Engineering\COLLECTIONS\GATHER\GRPE - Perimeter\_ Customer Drawings\GRPEWPSL

Model Code:  
**GRPEWPSL**

CUSTOMER APPROVAL & ASSEMBLY DRAWING


\\hi5dcfs1\common\hi5 Engineering\COLLECTIONS\GATHER\GRPE - Perimeter Customer Drawings\GRPEWPSL



# Gather Collection

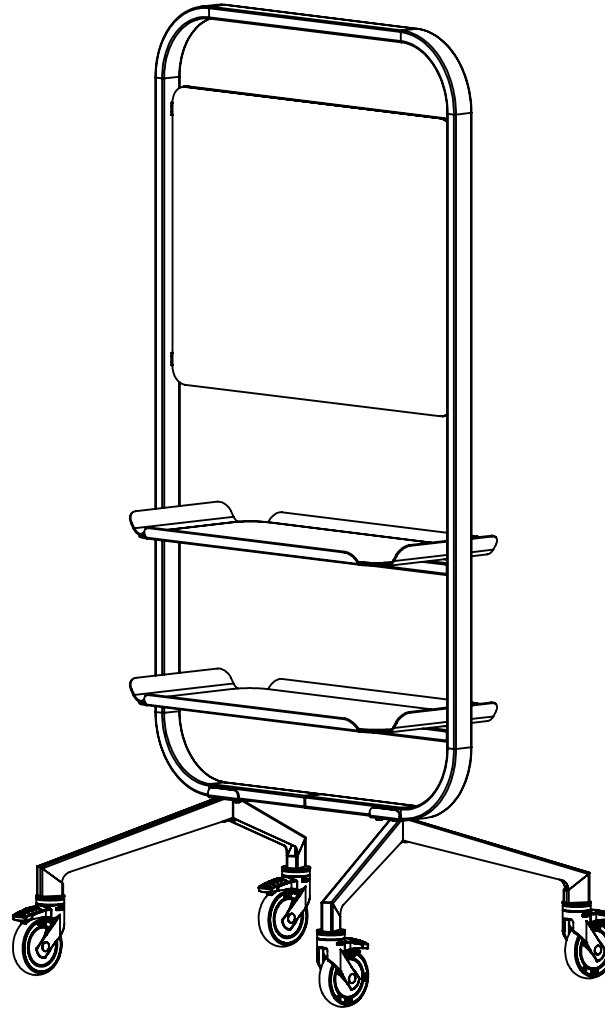
## Perimeter - mobile task wall

Model Code:  
GRPEWPSL

<b>Hi5 Furniture, Inc.</b>						
<b>PROPRIETARY AND CONFIDENTIAL</b>	NOMINAL DIMENSIONS ± 1.00"					
THIS DRAWING IS THE PROPERTY OF HI5 FURNITURE, INC. THE DRAWING NOR THE ITEMS THEREON ARE TO BE REPRODUCED, REDISTRIBUTED OR USED IN ANY MANNER NOT AUTHORIZED IN WRITING BY AN OFFICER OR AGENT THEREOF.	<table border="1"> <tr> <td>Date Created: 8/10/2024</td> <td>Drawn By: Bryan</td> </tr> <tr> <td>Revision: B</td> <td>Scale: 1:16</td> </tr> </table>		Date Created: 8/10/2024	Drawn By: Bryan	Revision: B	Scale: 1:16
Date Created: 8/10/2024	Drawn By: Bryan					
Revision: B	Scale: 1:16					
Sheet 2 of 3						

CUSTOMER APPROVAL & ASSEMBLY DRAWING

ITEM NO.	PART NUMBER	DESCRIPTION	QTY.
1	GRHUSH.PRS.15x29.XX	Shelf cover.	1
2	GRPEP.XX	Felt half panel cover	1
3	GRPEP1-WP.XX+	White board frame, felt exterior face, 37.0" x 66.25"	1
4	GR-FOOT.XX+	Frame Foot, 15.0" high x 30.6" spread	2
5	GRPE-Shelf.XX+	Shelf, 15.5" x 33.0"	2



# Gather Collection

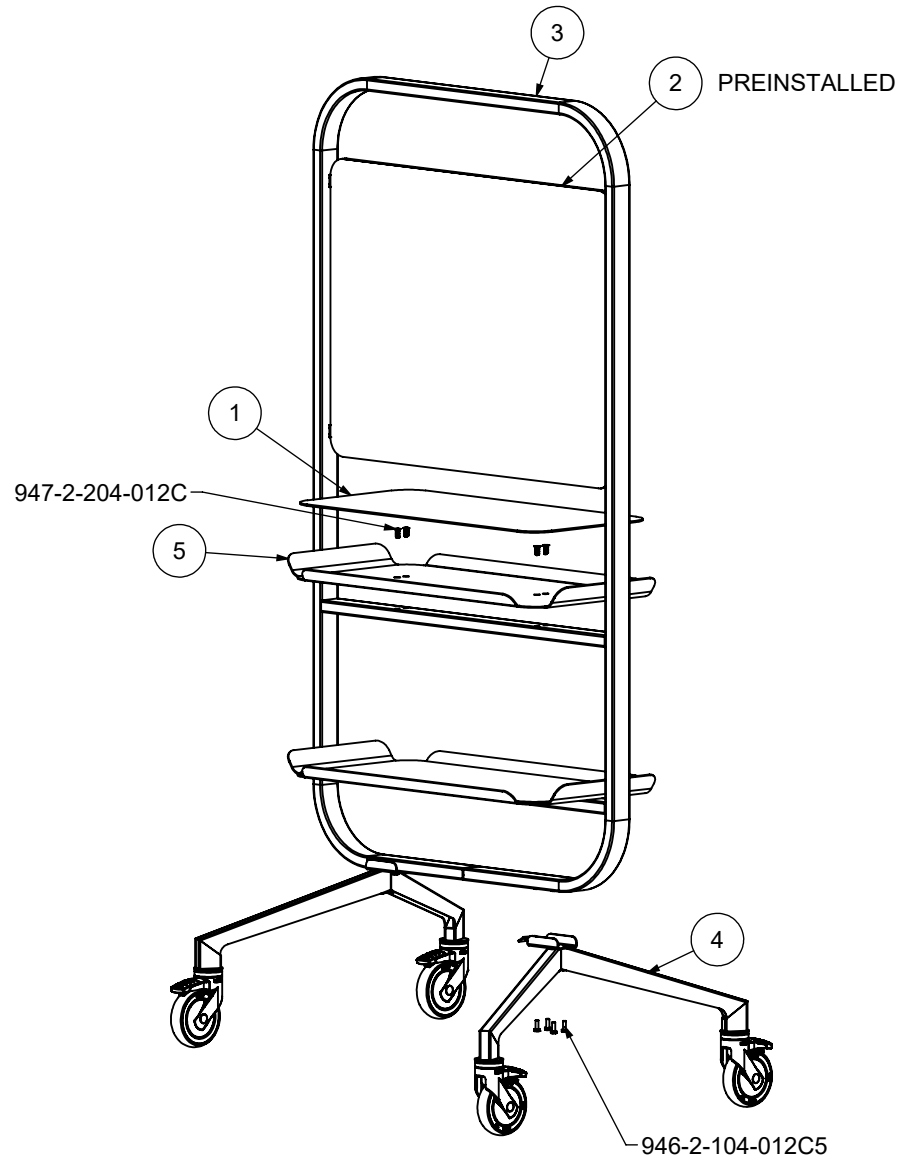
## Perimeter - mobile task wall

Model Code:  
GRPEWPSS

<b>Hi5 Furniture, Inc.</b>						
<b>PROPRIETARY AND CONFIDENTIAL</b>	NOMINAL DIMENSIONS ± 1.00"					
THIS DRAWING IS THE PROPERTY OF HIS FURNITURE, INC. THE DRAWING NOR THE ITEMS THEREON ARE TO BE REPRODUCED, REDISTRIBUTED OR USED IN ANY MANNER NOT AUTHORIZED IN WRITING BY AN OFFICER OR AGENT THEREOF.	<table border="1"> <tr> <td>Date Created: 8/10/2024</td> <td>Drawn By: Bryan</td> </tr> <tr> <td>Revision: A</td> <td>Scale: 1:16</td> </tr> </table>		Date Created: 8/10/2024	Drawn By: Bryan	Revision: A	Scale: 1:16
Date Created: 8/10/2024	Drawn By: Bryan					
Revision: A	Scale: 1:16					
Sheet 1 of 3						

Y:\Hi5 Engineering\COLLECTIONS\GATHER\GRPE - Perimeter\Customer Drawings\GRPEWPSS


CUSTOMER APPROVAL & ASSEMBLY DRAWING



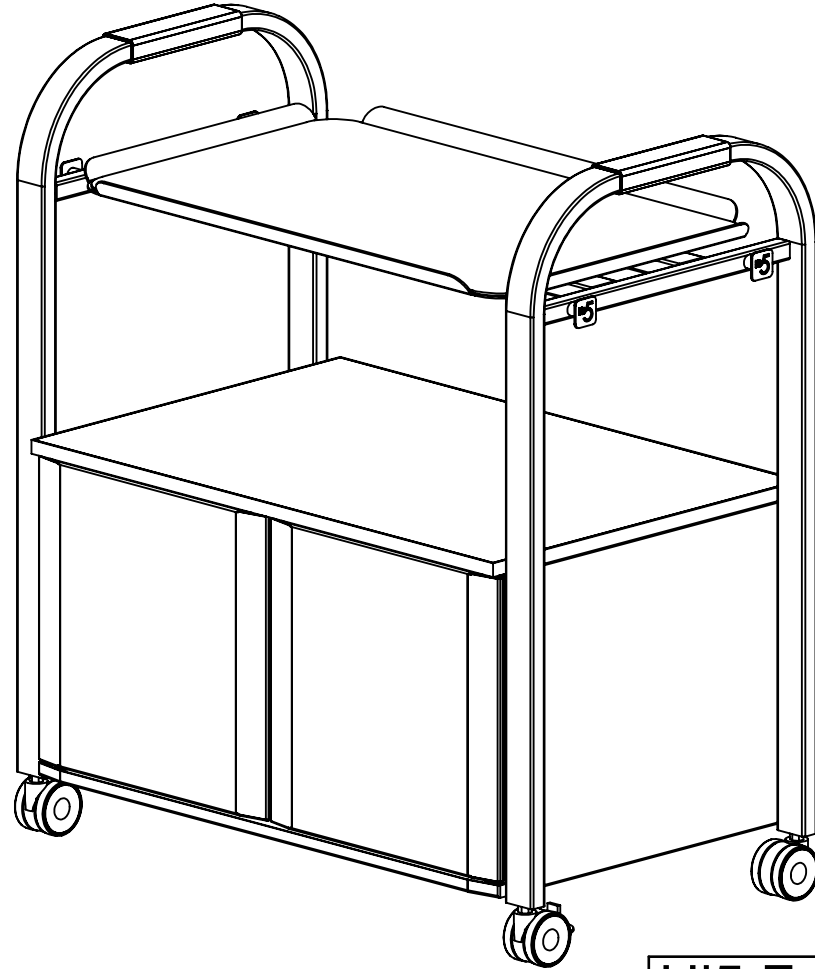
# Gather Collection

## Perimeter - mobile task wall

Model Code:  
GRPEWPSS

<b>Hi5 Furniture, Inc.</b>			
<b>PROPRIETARY AND CONFIDENTIAL</b>			
<small>NOMINAL DIMENSIONS ± 1.00"</small>			
<small>THIS DRAWING IS THE PROPERTY OF HIS FURNITURE, INC. THE DRAWING NOR THE ITEMS THEREON ARE TO BE REPRODUCED, REDISTRIBUTED OR USED IN ANY MANNER NOT AUTHORIZED IN WRITING BY AN OFFICER OR AGENT THEREOF.</small>			
Date Created:	8/10/2024	Drawn By:	Bryan
Revision:	A	Scale:	1:16
Sheet 2 of 3			

ITEM NO.	PART NUMBER	DESCRIPTION	QTY.
1	L73.23x34RE.GRPR	Table Top, 22.75" x 34.0" x 0.75" thick one piece HPL rectangle with 2mm PVC edges.	1
2	GRHUSH.H.7x8.XX	Velcro material wrap, 7" x 8"	2
3	GRHUSH.PRS.19x29.XX	Shelf cover	1
4	GRPRSC-F.XX-L.XX+	Shelf/Cabinet Frame	2
5	GRPR-34.XX+	Cross Tube	2
6	GRPR-SHELF.XX+	Shelf	1
7	GRPRSC-CABINET.XX+	Cabinet	1



# Gather Collection Provision - service cart

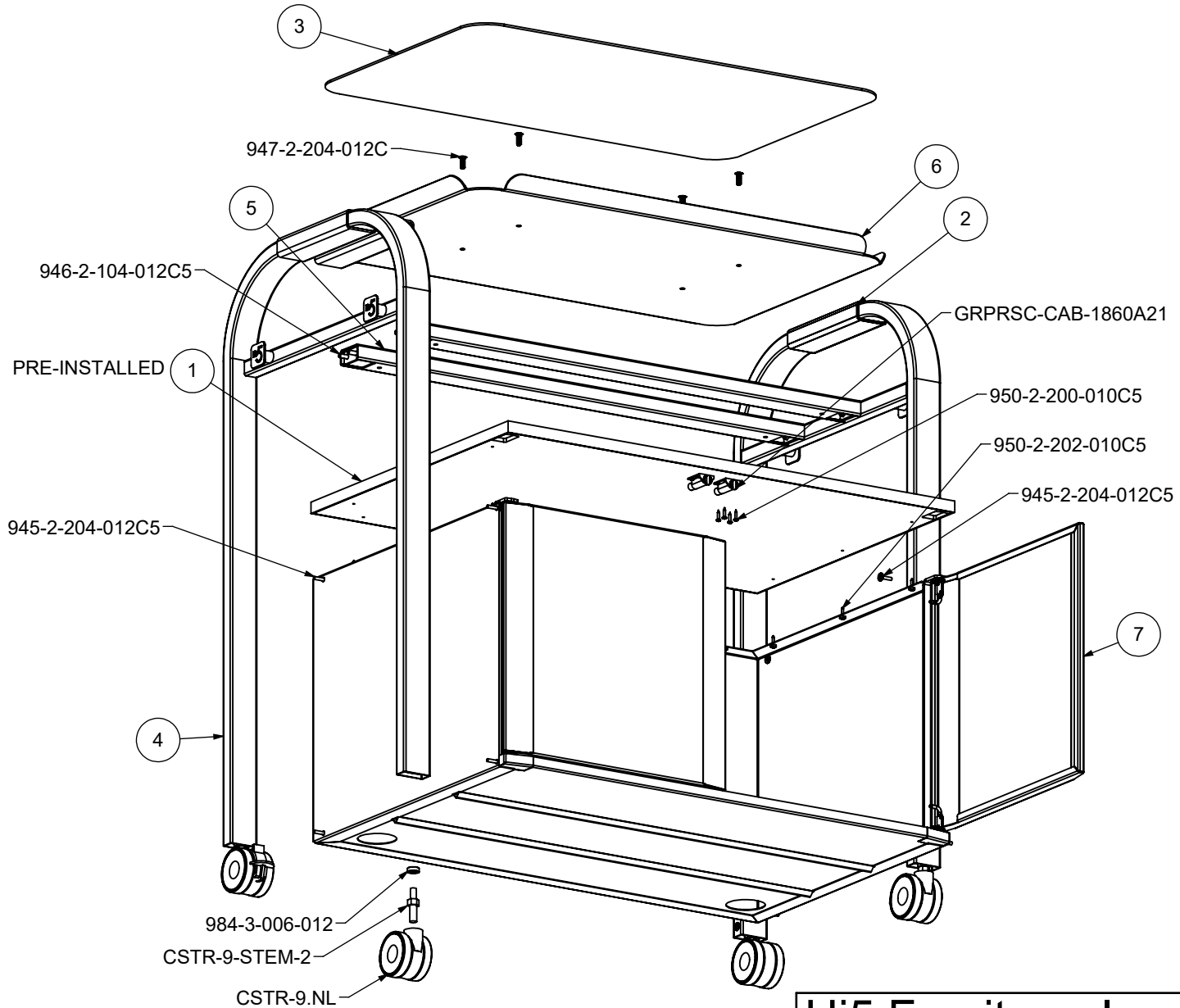
Model Code:  
**GRPRSC**

<b>Hi5 Furniture, Inc.</b>			
<b>PROPRIETARY AND CONFIDENTIAL</b>			
<small>THIS DRAWING IS THE PROPERTY OF HIS FURNITURE, INC. THE DRAWING NOR THE ITEMS THEREON ARE TO BE REPRODUCED, REDISTRIBUTED OR USED IN ANY MANNER NOT AUTHORIZED IN WRITING BY AN OFFICER OR AGENT THEREOF.</small>			
<small>NOMINAL DIMENSIONS ± 1.00"</small>			
Date Created:	9/9/2024	Drawn By:	Bryan
Revision:	A	Scale:	1:10
Sheet 1 of 3			

\\hi5dcfs1\common\Hi5\_Engineering\COLLECTIONS\GATHER\GRPR - Provision\CUSTOMER DRAWINGS\GRPRSC

CUSTOMER APPROVAL & ASSEMBLY DRAWING

\\hi5dcfs1\common\Hi5\_Engineering\COLLECTIONS\GATHER\GRPR - Provision\CUSTOMER DRAWINGS\GRPRSC



# Gather Collection Provision - service cart

Model Code:

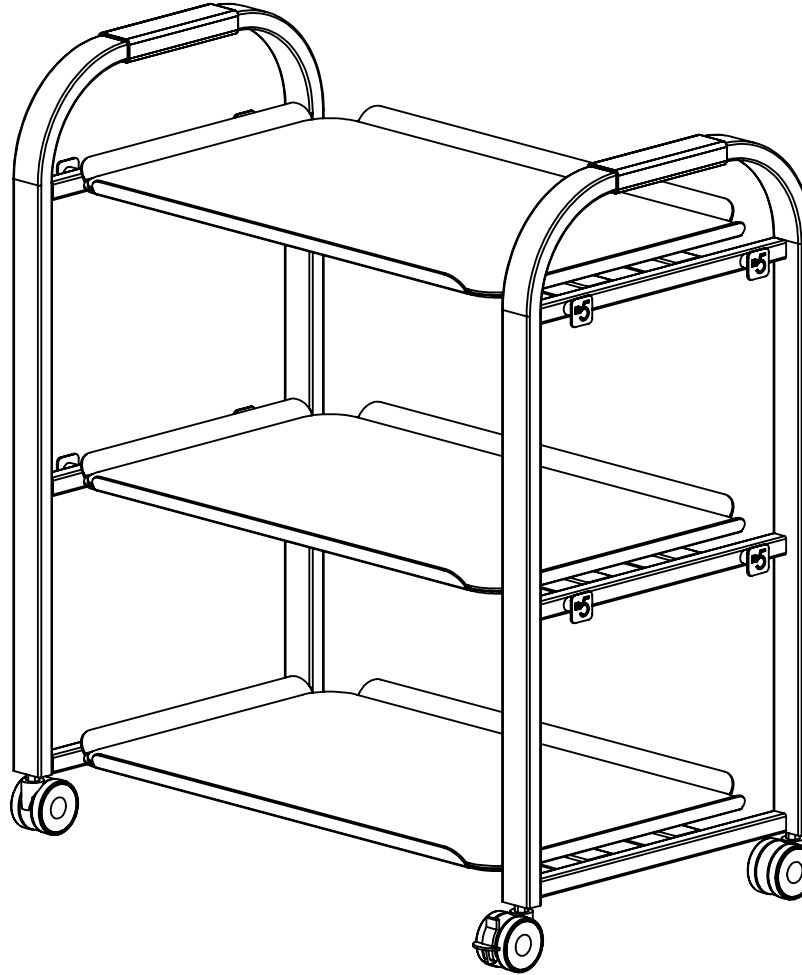
GRPRSC

<b>Hi5 Furniture, Inc.</b>	
<b>PROPRIETARY AND CONFIDENTIAL</b>	
THIS DRAWING IS THE PROPERTY OF HIS FURNITURE, INC. THE DRAWING NOR THE ITEMS THEREON ARE TO BE REPRODUCED, REDISTRIBUTED OR USED IN ANY MANNER NOT AUTHORIZED IN WRITING BY AN OFFICER OR AGENT THEREOF.	
NOMINAL DIMENSIONS ± 1.00"	
Date Created: 9/9/2024	Drawn By: Bryan
Revision: A	Scale: 1:10
Sheet 2 of 3	



CUSTOMER APPROVAL & ASSEMBLY DRAWING

ITEM NO.	PART NUMBER	DESCRIPTION	QTY.
1	GRHUSH.H.7x8.FB	Velcro material wrap	2
2	GRHUSH.PRS.19x29.XX	Shelf cover	3
3	GRPRSSS-F.XX-L.XX+	Shelf Cart End	2
4	GRPR-34.XX+	Cross Tube	6
5	GRPR-SHELF.XX+	Shelf	3



CUSTOMER APPROVAL & ASSEMBLY DRAWING

\\hi5dcfs1\common\Hi5\_Engineering\COLLECTIONS\GATHER\GRPR - Provision\CUSTOMER DRAWINGS\GRPRSSS

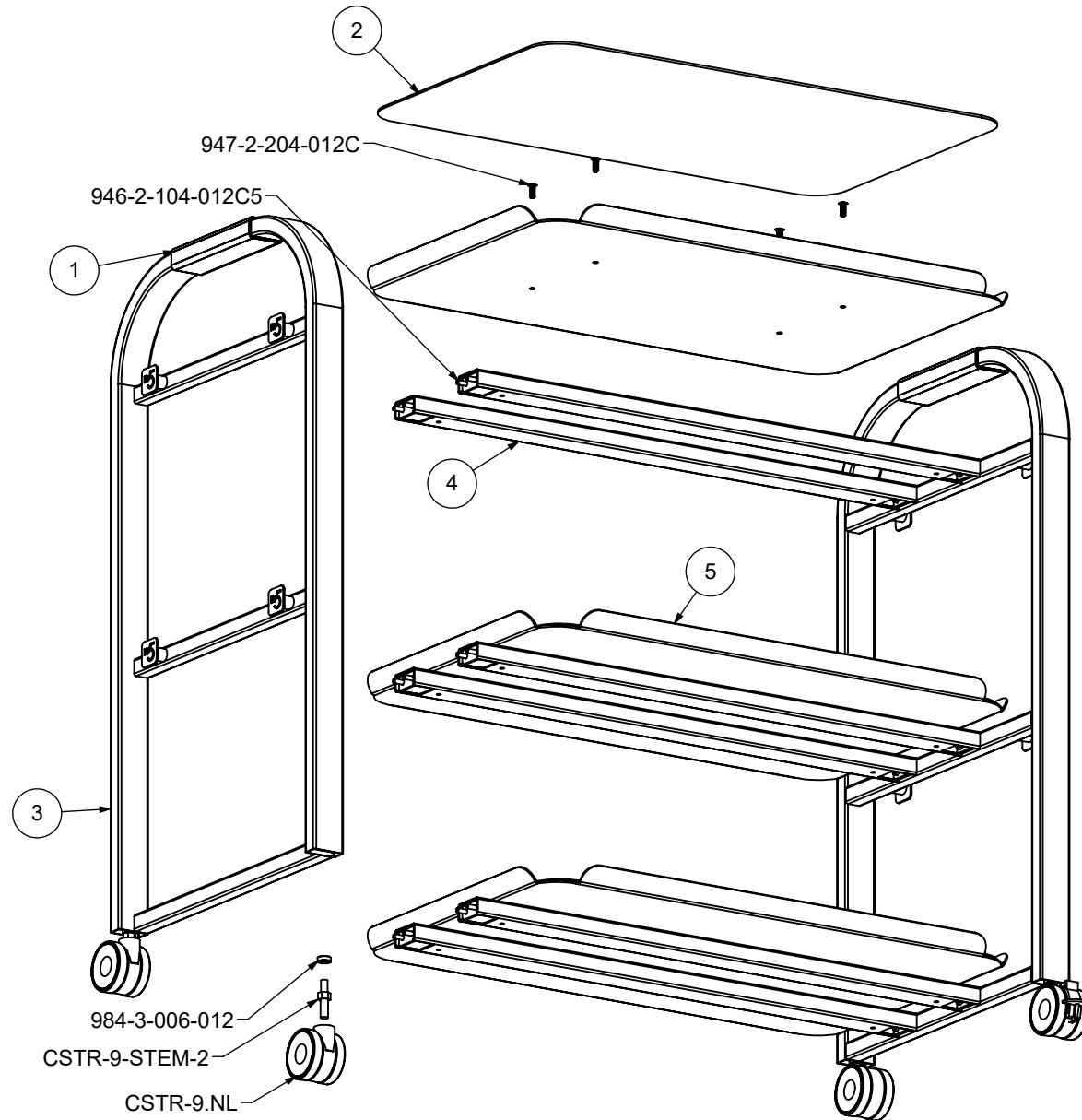
# Gather Collection Provision - service cart

Model Code:

GRPRSSS


<b>Hi5 Furniture, Inc.</b>						
<b>PROPRIETARY AND CONFIDENTIAL</b>	NOMINAL DIMENSIONS ± 1.00"					
THIS DRAWING IS THE PROPERTY OF HIS FURNITURE, INC. THE DRAWING NOR THE ITEMS THEREON ARE TO BE REPRODUCED, REDISTRIBUTED OR USED IN ANY MANNER NOT AUTHORIZED IN WRITING BY AN OFFICER OR AGENT THEREOF.	<table border="1"> <tr> <td>Date Created: 4/4/2024</td> <td>Drawn By: Bryan</td> </tr> <tr> <td>Revision: A</td> <td>Scale: 1:10</td> </tr> </table>		Date Created: 4/4/2024	Drawn By: Bryan	Revision: A	Scale: 1:10
Date Created: 4/4/2024	Drawn By: Bryan					
Revision: A	Scale: 1:10					
Sheet 1 of 3						

\\hi5dcfs1\common\Hi5\_Engineering\COLLECTIONS\GATHER\GRPR - Provision\CUSTOMER DRAWINGS\GRPRSSS



# Gather Collection Provision - service cart

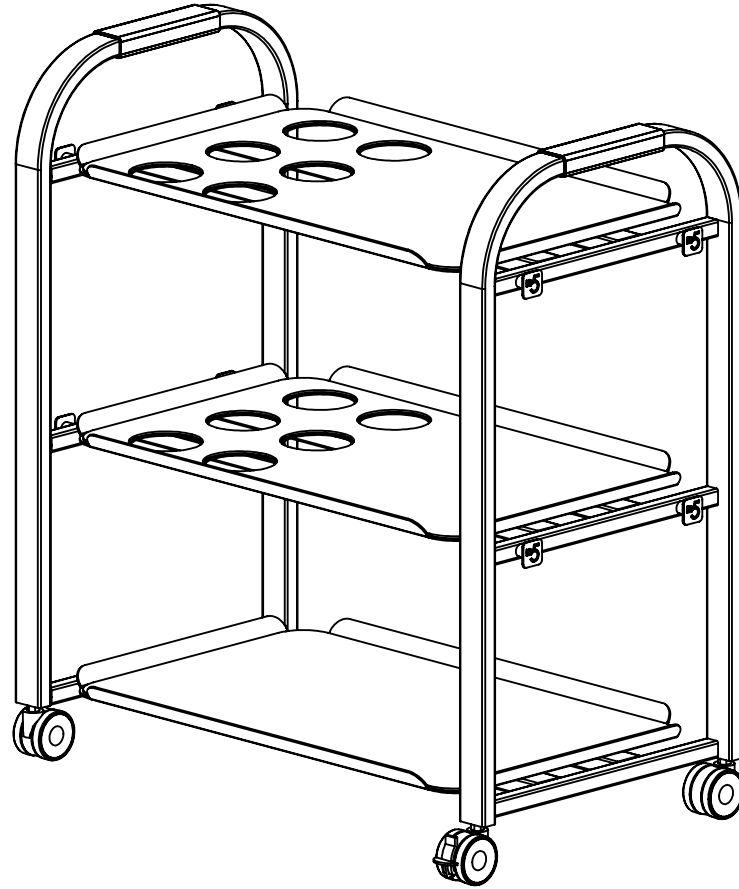
Model Code:  
**GRPRSSS**

<b>Hi5 Furniture, Inc.</b>		
<b>PROPRIETARY AND CONFIDENTIAL</b>		
<small>NOMINAL DIMENSIONS ± 1.00"</small> <small>THIS DRAWING IS THE PROPERTY OF HIS FURNITURE, INC. THE DRAWING NOR THE ITEMS THEREON ARE TO BE REPRODUCED, REDISTRIBUTED OR USED IN ANY MANNER NOT AUTHORIZED IN WRITING BY AN OFFICER OR AGENT THEREOF.</small>		
<small>Date Created:</small> 4/4/2024	<small>Drawn By:</small> Bryan	
<small>Revision:</small> A	<small>Scale:</small> 1:10	<small>Sheet 2 of 3</small>

CUSTOMER APPROVAL & ASSEMBLY DRAWING



ITEM NO.	PART NUMBER	DESCRIPTION	QTY.
1	GRHUSH.H.7x8.XX	Velcro material wrap, 7" x 8"	2
2	GRHUSH.PRS.19x29-C.XX	Shelf cover with cup holes	2
3	GRHUSH.PRS.19x29.XX	Shelf cover	1
4	GRPRSSS-F.XX-L.XX+	Shelf Cart End	2
5	GRPR-34.XX+	Cross Tube	6
6	GRPR-SHELF-C.XX+	Shelf with cup holes	2
7	GRPR-SHELF.XX+	Shelf	1



CUSTOMER APPROVAL & ASSEMBLY DRAWING

\\hi5dcfs1c\common\Hi5\_Engineering\COLLECTIONS\GATHER\GRPR - Provision\CUSTOMER DRAWINGS\GRPRSSS6M2C

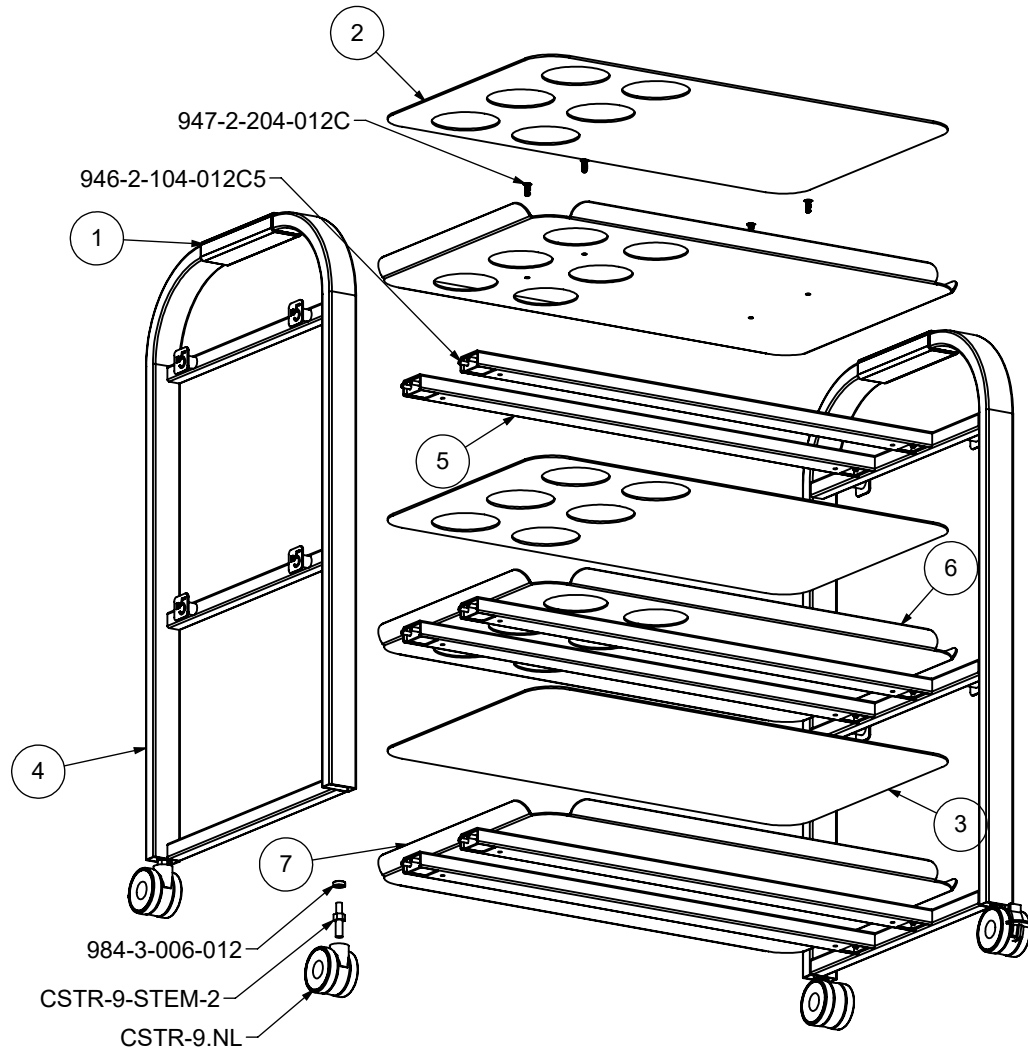
# Gather Collection Provision - service cart

Model Code:

GRPRSSS6M2C

<b>Hi5 Furniture, Inc.</b>			
<b>PROPRIETARY AND CONFIDENTIAL</b>			
<small>THIS DRAWING IS THE PROPERTY OF HIS FURNITURE, INC. THE DRAWING NOR THE ITEMS THEREON ARE TO BE REPRODUCED, REDISTRIBUTED OR USED IN ANY MANNER NOT AUTHORIZED IN WRITING BY AN OFFICER OR AGENT THEREOF.</small>			
<small>NOMINAL DIMENSIONS ± 1.00"</small>			
Date Created:	10/7/2024	Drawn By:	MCJ
Revision:	A	Scale:	1:11
Sheet 1 of 3			

\\hi5dcfs1\common\Hi5\_Engineering\COLLECTIONS\GATHER\GRPR - Provision\CUSTOMER DRAWINGS\GRPRSS6M2C



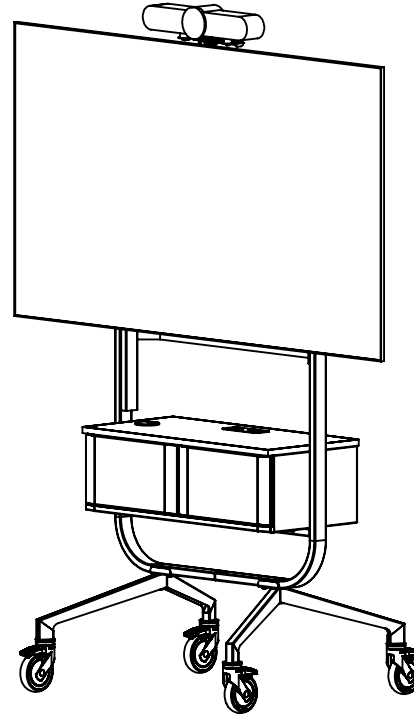
# Gather Collection Provision - service cart

Model Code:  
GRPRSS6M2C

<b>Hi5 Furniture, Inc.</b>		
<b>PROPRIETARY AND CONFIDENTIAL</b>		
<small>NOMINAL DIMENSIONS ± 1.00"</small> <small>THIS DRAWING IS THE PROPERTY OF HI5 FURNITURE, INC. THE DRAWING NOR THE ITEMS THEREON ARE TO BE REPRODUCED, REDISTRIBUTED OR USED IN ANY MANNER NOT AUTHORIZED IN WRITING BY AN OFFICER OR AGENT THEREOF.</small>		
<small>Date Created:</small> 10/7/2024	<small>Drawn By:</small> MCJ	
<small>Revision:</small> A	<small>Scale:</small> 1:12	<small>Sheet</small> 2 of 3

CUSTOMER APPROVAL & ASSEMBLY DRAWING

ITEM NO.	PART NUMBER	DESCRIPTION	QTY.
1	GRVEP.XX	Felt back panel cover	1
2	L73.16x34RE.GRVE	Table Top, 15.75" x 33.375" x 0.75" thick one piece HPL rectangle with 2mm PVC edges.	1
3	WMAG.XX+	Magnetic 1" deep steel wire manager.	1
4	GRVEC.XX+	Media frame, two supports, 36.0" x 66.25"	1
5	GR-FOOT.XX+	Frame Foot, 15.0" high x 30.6" spread	2
6	GRVE-Support.XX+	Media support assembly	1
7	GRVE-CAM.XX+	Meetup support assembly	1
8	GRVE-Cabinet.XX+	Cabinet	1
9	PTUCK.X	Power, Tuck, 2 Power, (1) USB-A and (1) USB-C, 120" Cord	1
10	PCC.X-108	Power, Cove, Non-Linking with a 108" long soft-wired 20/15 AMP corded plug, 2 - outlets, 2 - convenience outlets	1
11	901GX-2.5	Round Grommet, 2.5" diameter with cover.	1
12	WMAGLP	Wire management loop. Pack of 2	1



## Gather Collection Venue - video TV cart

REVISIONS			
REV.	DESCRIPTION	DATE	APPROVED
B	Corrected note on sht 2 and top PN and description; added edge detail	9/16/2024	BCS
C	Updated item 9	10/22/2024	BCS
D	Minor changes throughout.	1/3/2025	MOR

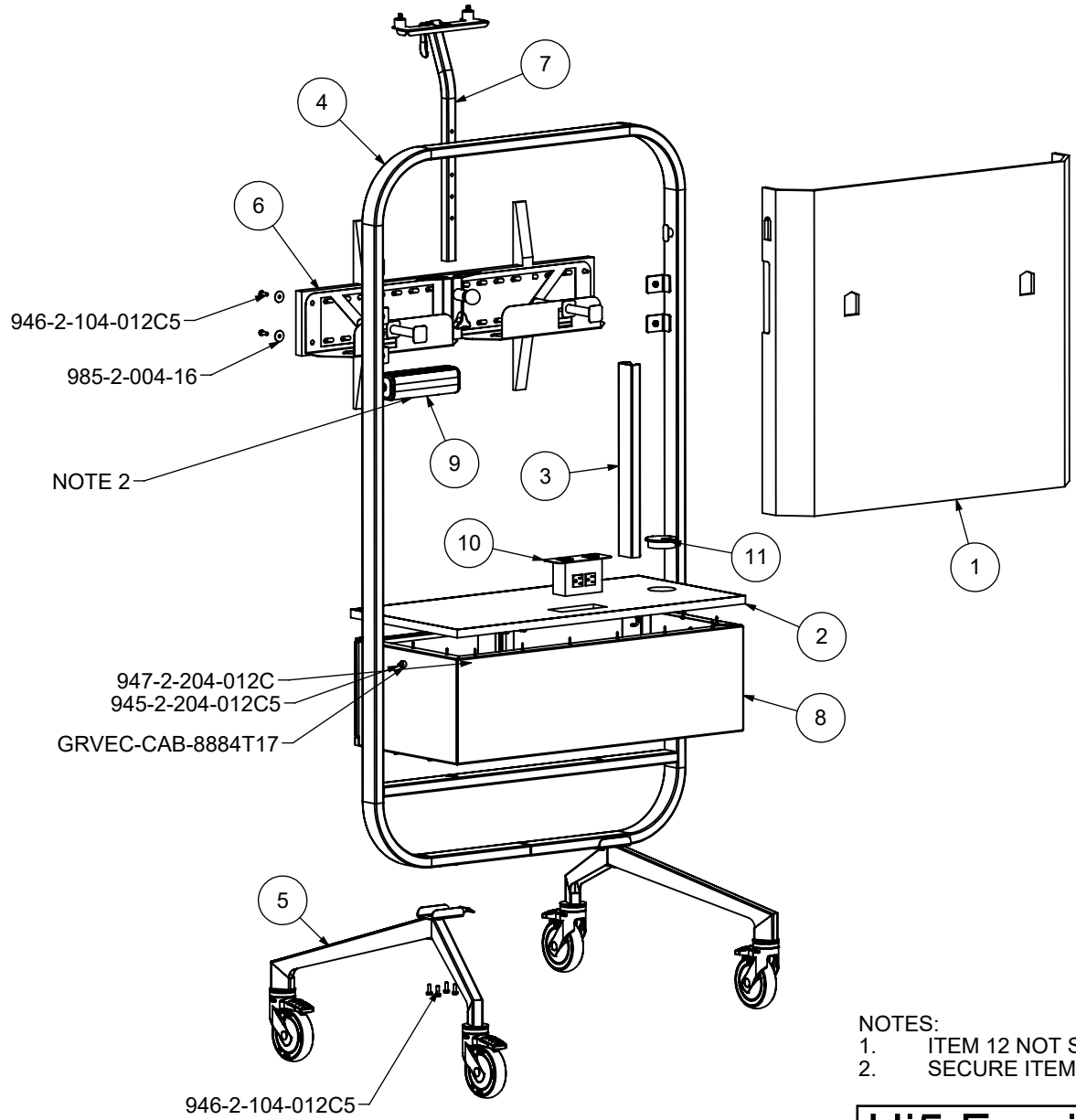
<b>Hi5 Furniture, Inc.</b>			
<b>PROPRIETARY AND CONFIDENTIAL</b>	NOMINAL DIMENSIONS ± 1.00"		
<small>THIS DRAWING IS THE PROPERTY OF HIS FURNITURE, INC. THE DRAWING NOR THE ITEMS THEREON ARE TO BE REPRODUCED, REDISTRIBUTED OR USED IN ANY MANNER NOT AUTHORIZED IN WRITING BY AN OFFICER OR AGENT THEREOF.</small>	Date Created: 9/13/2024		Drawn By: Bryan
	Revision: D		Scale: 1:24
Sheet 1 of 3			

Model Code:

**GRVEC**

\\hi5dcfs1\common\Hi5\_Engineering\COLLECTIONS\GATHER\GRVE - Venue\Customer Drawings\GRVEC

CUSTOMER APPROVAL & ASSEMBLY DRAWING



- NOTES:  
 1. ITEM 12 NOT SHOWN.  
 2. SECURE ITEM 9 TO ITEM 6 WITH PROVIDED SCREWS.

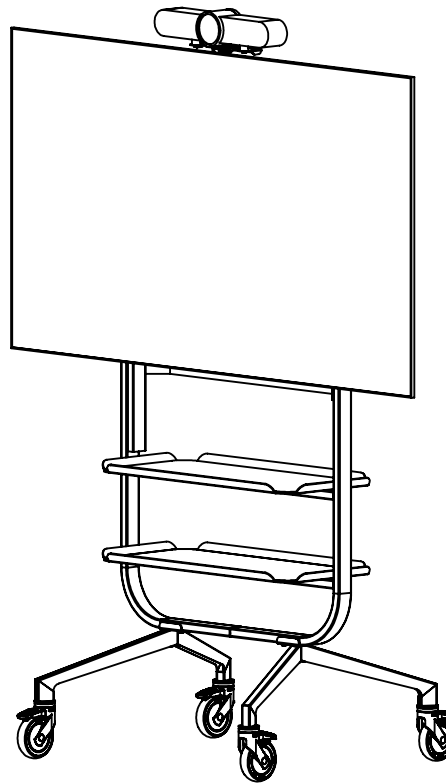
# Gather Collection

## Venue - video TV cart

Model Code:  
**GRVEC**

<b>Hi5 Furniture, Inc.</b>		
<b>PROPRIETARY AND CONFIDENTIAL</b>		
NOMINAL DIMENSIONS ± 1.00" THIS DRAWING IS THE PROPERTY OF HI5 FURNITURE, INC. THE DRAWING NOR THE ITEMS THEREON ARE TO BE REPRODUCED, REDISTRIBUTED OR USED IN ANY MANNER NOT AUTHORIZED IN WRITING BY AN OFFICER OR AGENT THEREOF.		
Date Created: 9/13/2024	Drawn By: Bryan	
Revision: D	Scale: 1:16	Sheet 2 of 3

ITEM NO.	PART NUMBER	DESCRIPTION	QTY.
1	GRHUSH.PRS.15x29.XX	Shelf cover.	2
2	GRVEP.XX	Felt back panel cover	1
3	WMAG.XX+	Magnetic 1" deep steel wire manager.	1
4	GRVESH.XX+	Media frame, two supports, 36.0" x 66.25"	1
5	GR-FOOT.XX+	Frame Foot, 15.0" high x 30.6" spread	2
6	GRVE-Support.XX+	Media support assembly	1
7	GRVE-CAM.XX+	Meetup support assembly	1
8	GRPE-Shelf.XX+	Shelf, 15.5" x 33.0"	2
9	PTU.X-120	Power, Tuck, Non-Linking with a 120" long soft-wired 20/15 AMP corded plug, 2 - outlets, 1 - USB-A, 1 - USB-C	1
10	WMAGLP	Wire management loop. Pack of 2	1



## Gather Collection Venue - video TV cart

REVISIONS			
REV.	DESCRIPTION	DATE	APPROVED
B	Multiple minor revisions.	12/30/2024	MOR

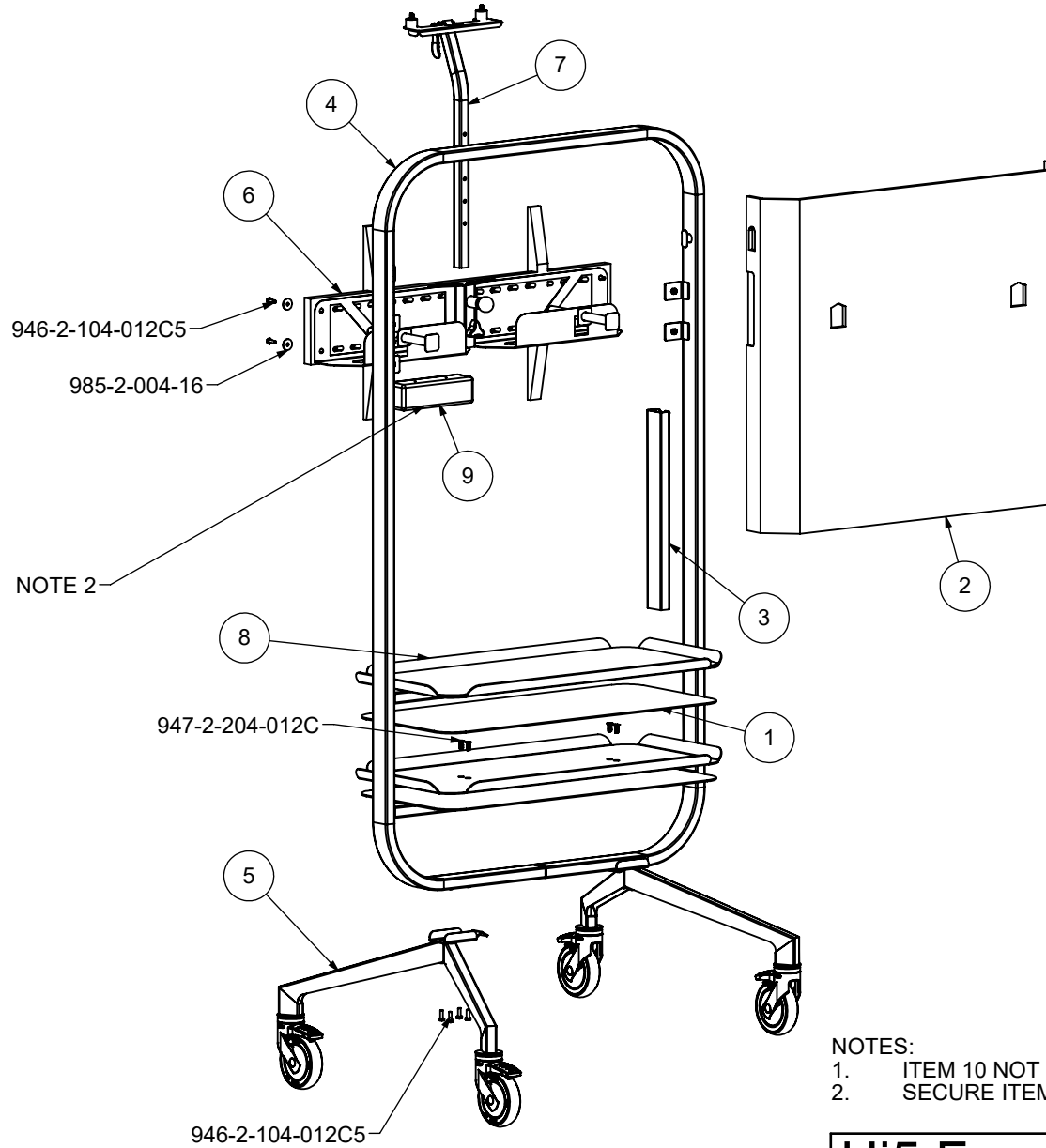
<b>Hi5 Furniture, Inc.</b>			
<b>PROPRIETARY AND CONFIDENTIAL</b>			
<small>THIS DRAWING IS THE PROPERTY OF HIS FURNITURE, INC. THE DRAWING NOR THE ITEMS THEREON ARE TO BE REPRODUCED, REDISTRIBUTED OR USED IN ANY MANNER NOT AUTHORIZED IN WRITING BY AN OFFICER OR AGENT THEREOF.</small>			
<small>NOMINAL DIMENSIONS ± 1.00"</small>			
Date Created:	9/10/2024	Drawn By:	Bryan
Revision:	B	Scale:	1:22
Sheet 1 of 3			

Model Code:

**GRVESH**

\\hi5dcfs1\commont\Hi5\_Engineering\COLLECTIONS\GATHER\GRVE - Venue\Customer Drawings\GRVESH

CUSTOMER APPROVAL & ASSEMBLY DRAWING



**NOTES:**

1. ITEM 10 NOT SHOWN
2. SECURE ITEM 9 TO ITEM 6 WITH PROVIDED SCREWS

# Gather Collection Venue - video TV cart

Model Code:

**GRVSS**

<b>Hi5 Furniture, Inc.</b>		<b>Hi5</b> FURNITURE	
<b>PROPRIETARY AND CONFIDENTIAL</b>			
THIS DRAWING IS THE PROPERTY OF HIS FURNITURE, INC. THE DRAWING NOR THE ITEMS THEREON ARE TO BE REPRODUCED, REDISTRIBUTED OR USED IN ANY MANNER NOT AUTHORIZED IN WRITING BY AN OFFICER OR AGENT THEREOF.			
NOMINAL DIMENSIONS ± 1.00"			
Date Created:	9/10/2024	Drawn By:	Bryan
Revision:	B	Scale:	1:16
Sheet 2 of 3			