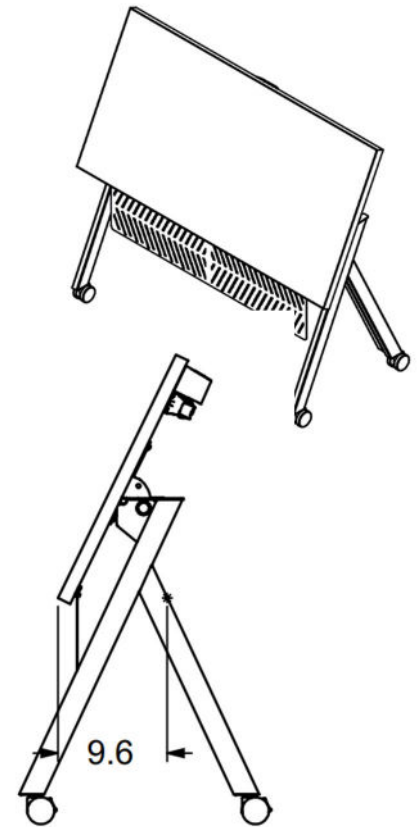
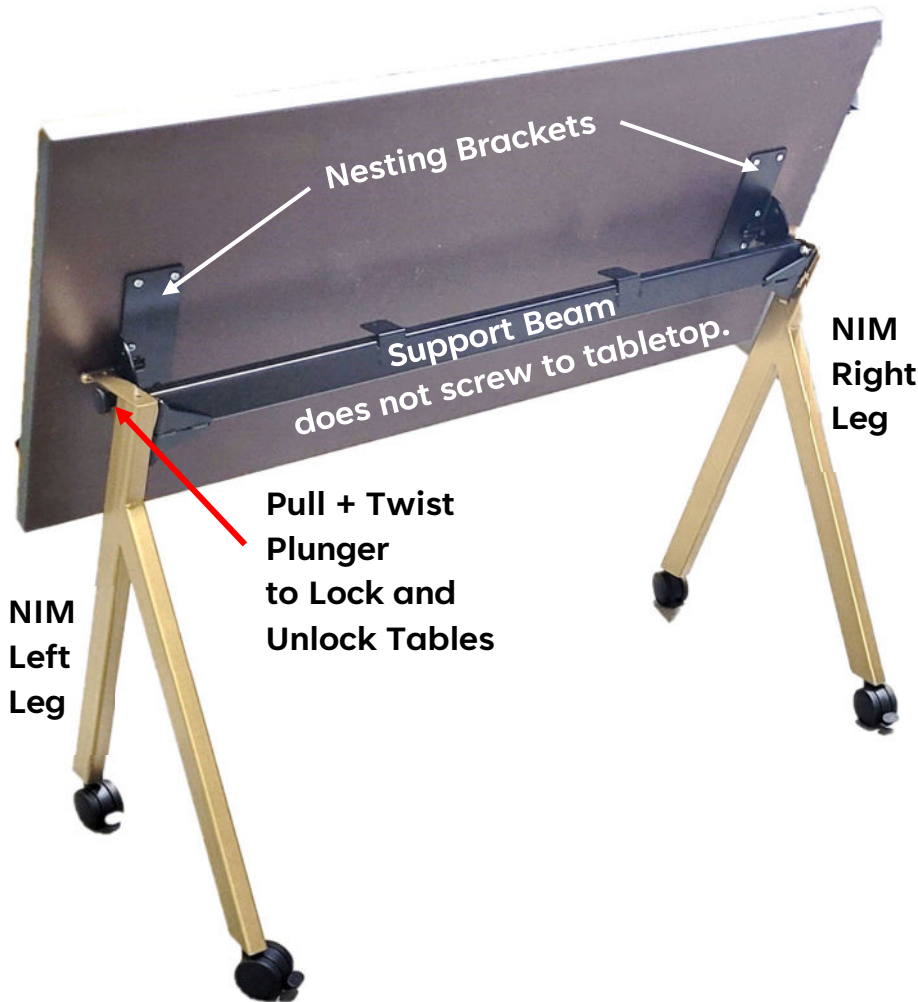
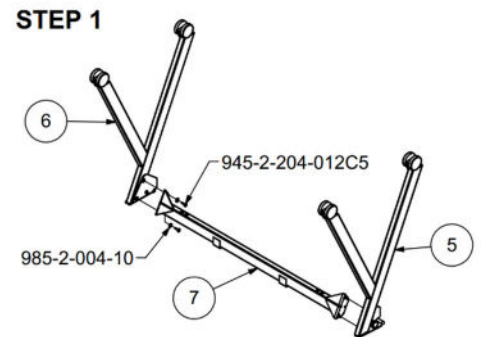




NiM Nesting Installation Instructions

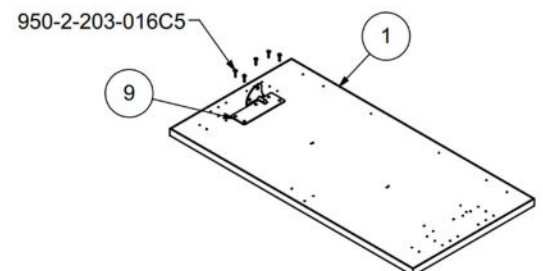


Step 1. Use Screw #945-2-204-012C5 and Washer #985-2-004-10 to attach the Support Beam to the Legs



Step 2. Use Screw #950-2-203-016C5 to attach Nesting Brackets to tabletops in predrilled holes provided.

STEP 2



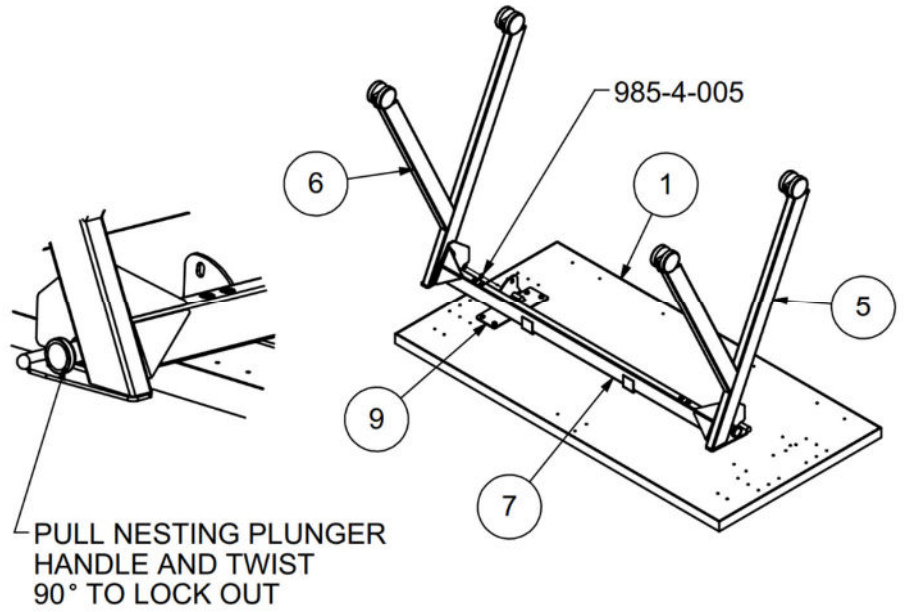


NiM Nesting Installation Instructions

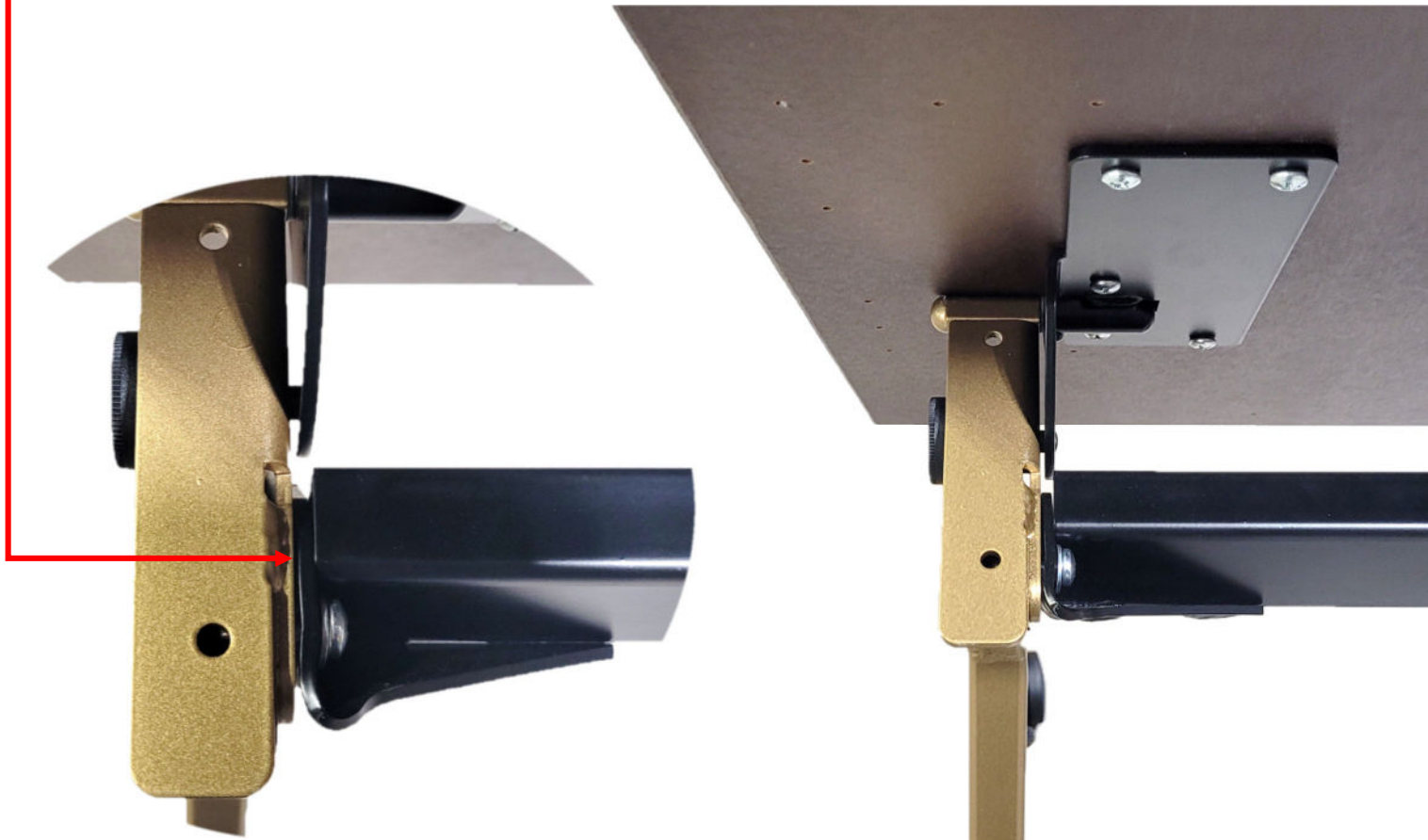
Step 3. Make sure there is under 1/16" between the Leg and the Nesting Bracket on both sides.

Then, use Screw #985-4-005 to attached them together.

Pull Plunger and TWIST to lock it on both legs.



IMPORTANT NOTE: DO NOT SCREW BEAM TO TABLETOP.

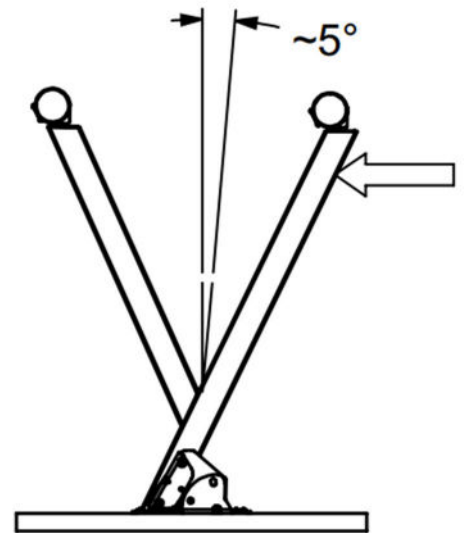




NiM Nesting Installation Instructions



Step 4. Twist Plunger to unlock on both ends of the table. With the plungers not engaged, the base will not flush to the tabletop. Push the table legs until they allow the plungers to lock on both sides.





NiM Nesting Installation Instructions

Attach modesty panel if applicable.

