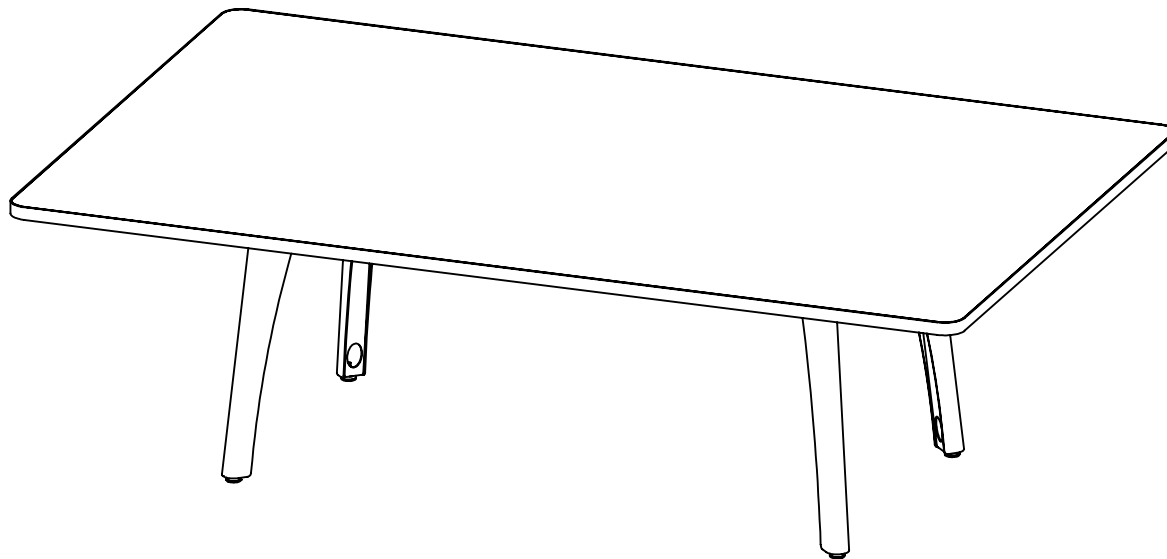


## TOOLS YOU WILL NEED

- POWER DRILL
- #3 PHILLIPS DRILL BIT
- 7/16" WRENCH OR RATCHETING WRENCH

# TRESTLE

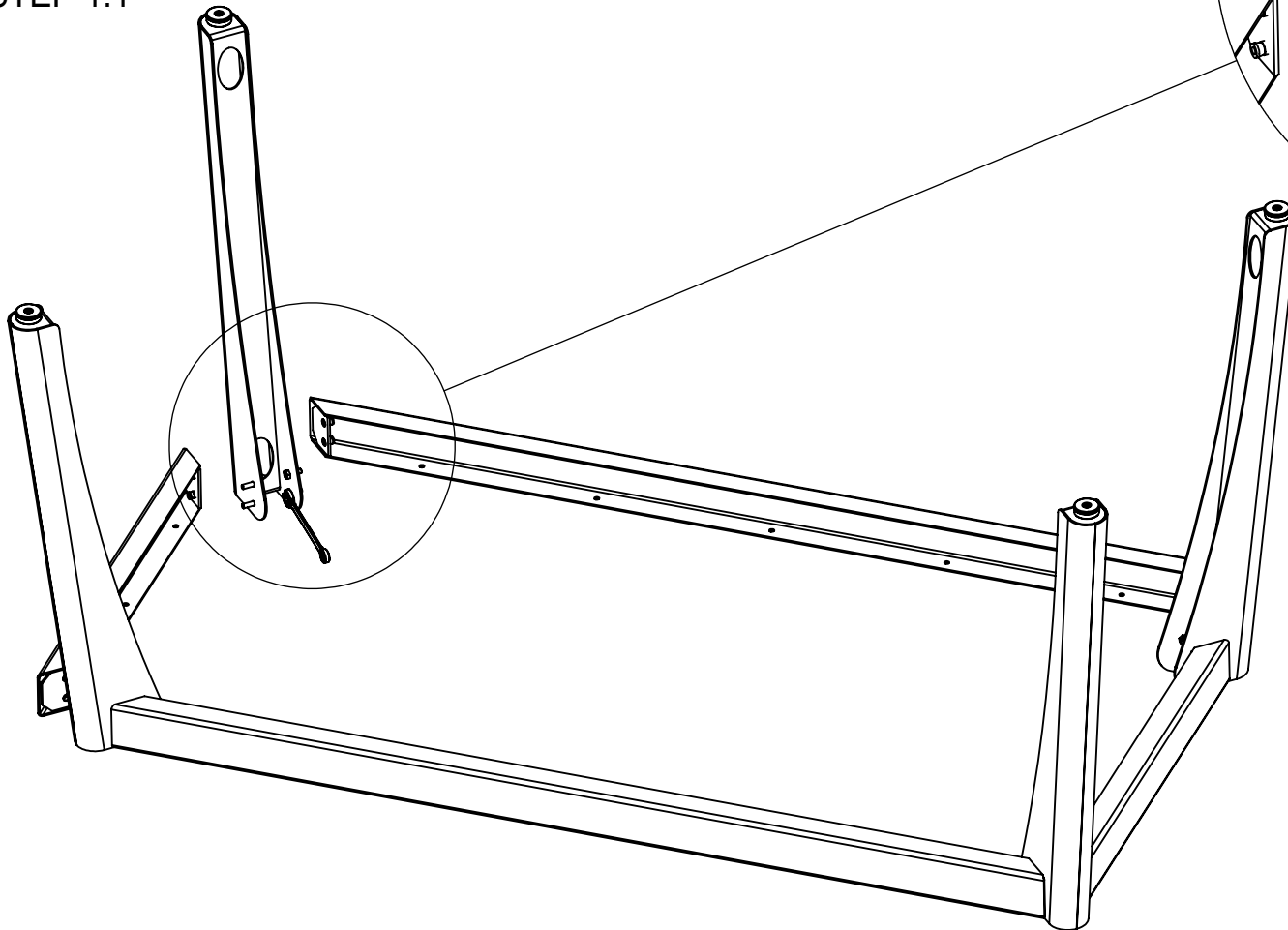


Hi5

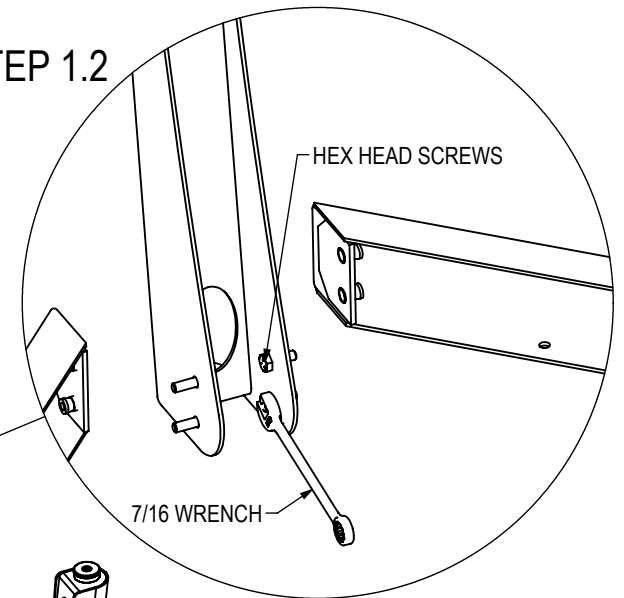
# STEP 1

1. WITH LEGS AND APRON UPSIDE DOWN ALIGN APRONS AND LEGS ACCORDING TO EXPLODED VIEW ON APPROVAL DRAWINGS
2. USING 7/16" WRENCH (SUPPLIED BY Hi5) FASTEN APRONS TO LEGS USING HEX HEAD MACHINE SCREWS

STEP 1.1



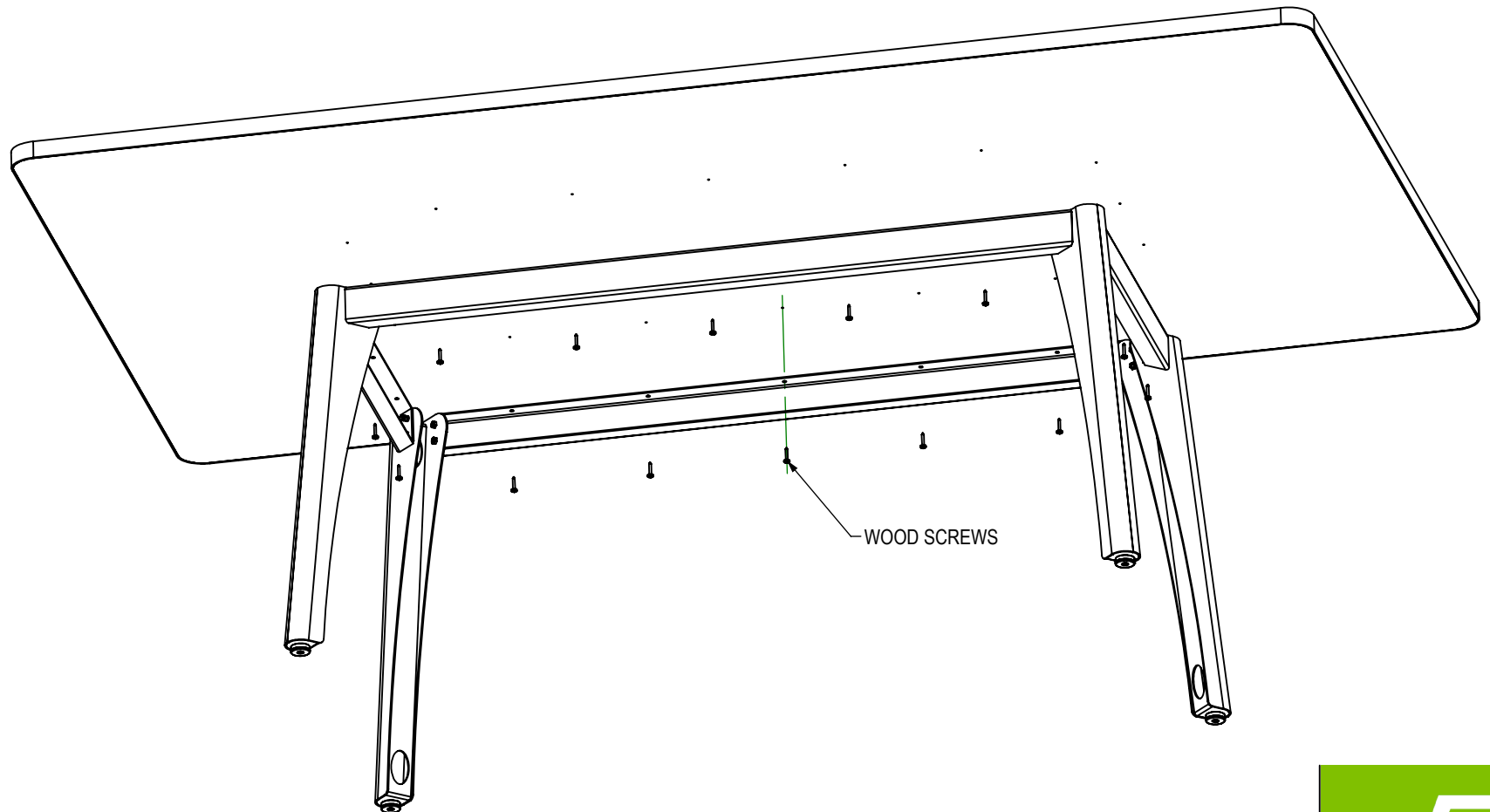
STEP 1.2



## STEP 2

1. AFTER ALL APRON BEAMS ARE FASTENED TO LEG FLIP BASE TO STANDING POSITION
2. ALIGN TABLE TOP ON BASE SO PRE-DRILLED HOLES ALIGN WITH APRON HOLES
3. USE POWER DRILL AND WOOD SCREWS TO FASTEN TOP TO BASE

STEP 2.3



Hi5