

Retha Table Instructions

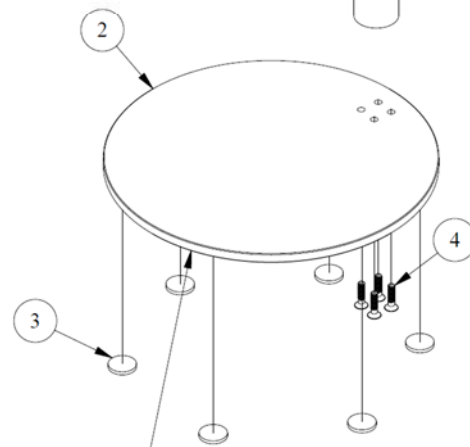
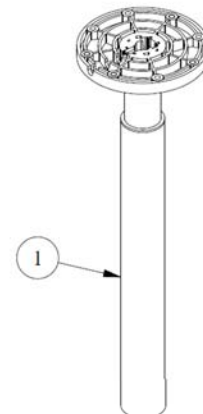
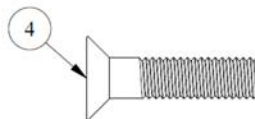
Customer Service 816-774-4050



Step 1.

Align tapped holes in the bottom of the base column with the countersunk holes in the disc base (Item 1 & 2)
Screw together using (Item 4)

Column should not rotate.



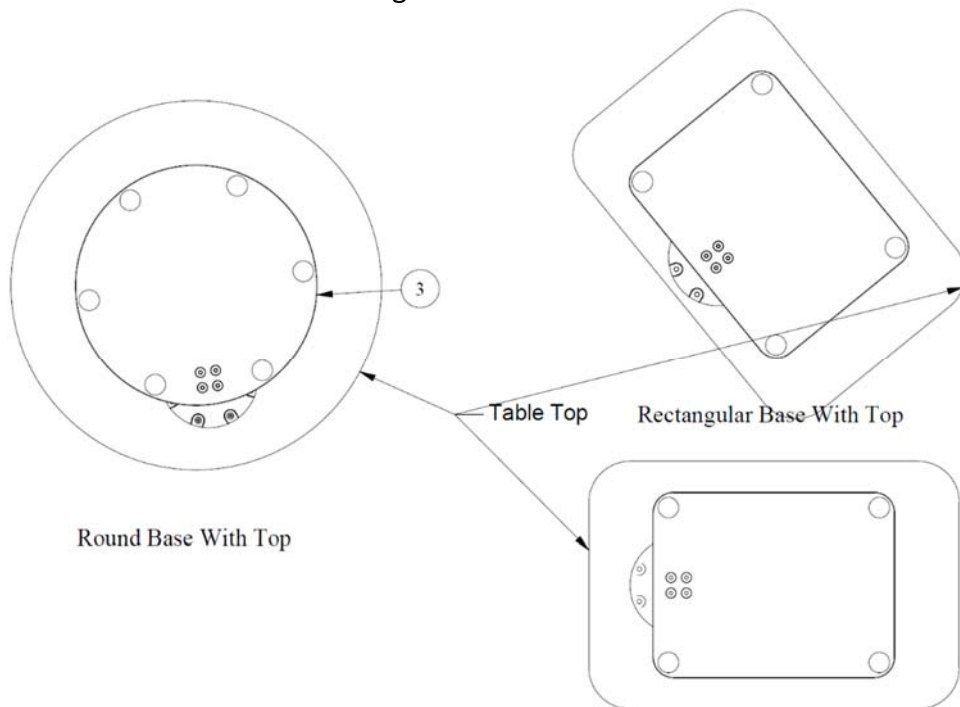
Step 2.

Stick plastic or felt feet onto the bottom of the disc base. (Item 3)

Step 3.

Attach assembled base to the table top #8 X 1 in offset locations like images below.

Nylon sticky glides for soft floors
Felt sticky pads for hard floors



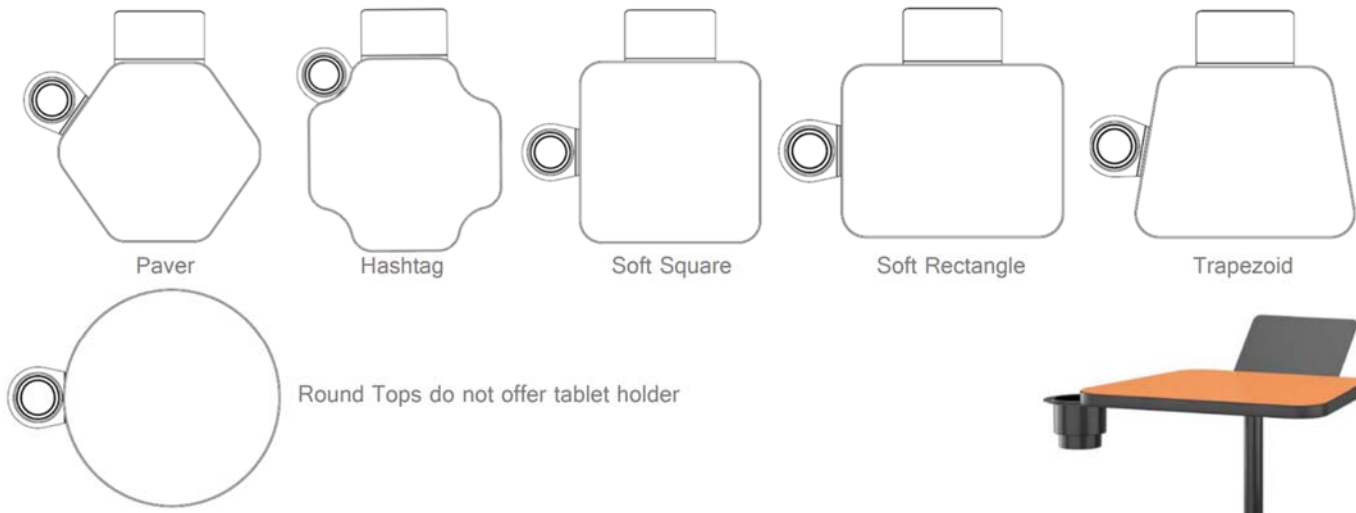
Retha Table Instructions



Customer Service 816-774-4050

Optional Tablet Holder

Attach metal tablet holder to predrilled holes with #12 X 3/4 screws provided.



Optional Tablet Holder

- 1 Black Plastic Cup Holder
- 2 Pivot Plate
- 3 Flat 5/16 Washer
- 4 Nylon Washer with Flange
- 5 Screw #12 X 3/4

