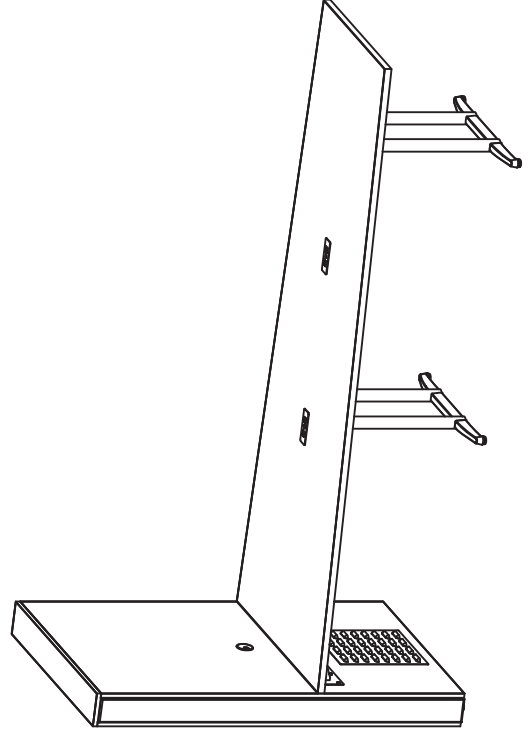


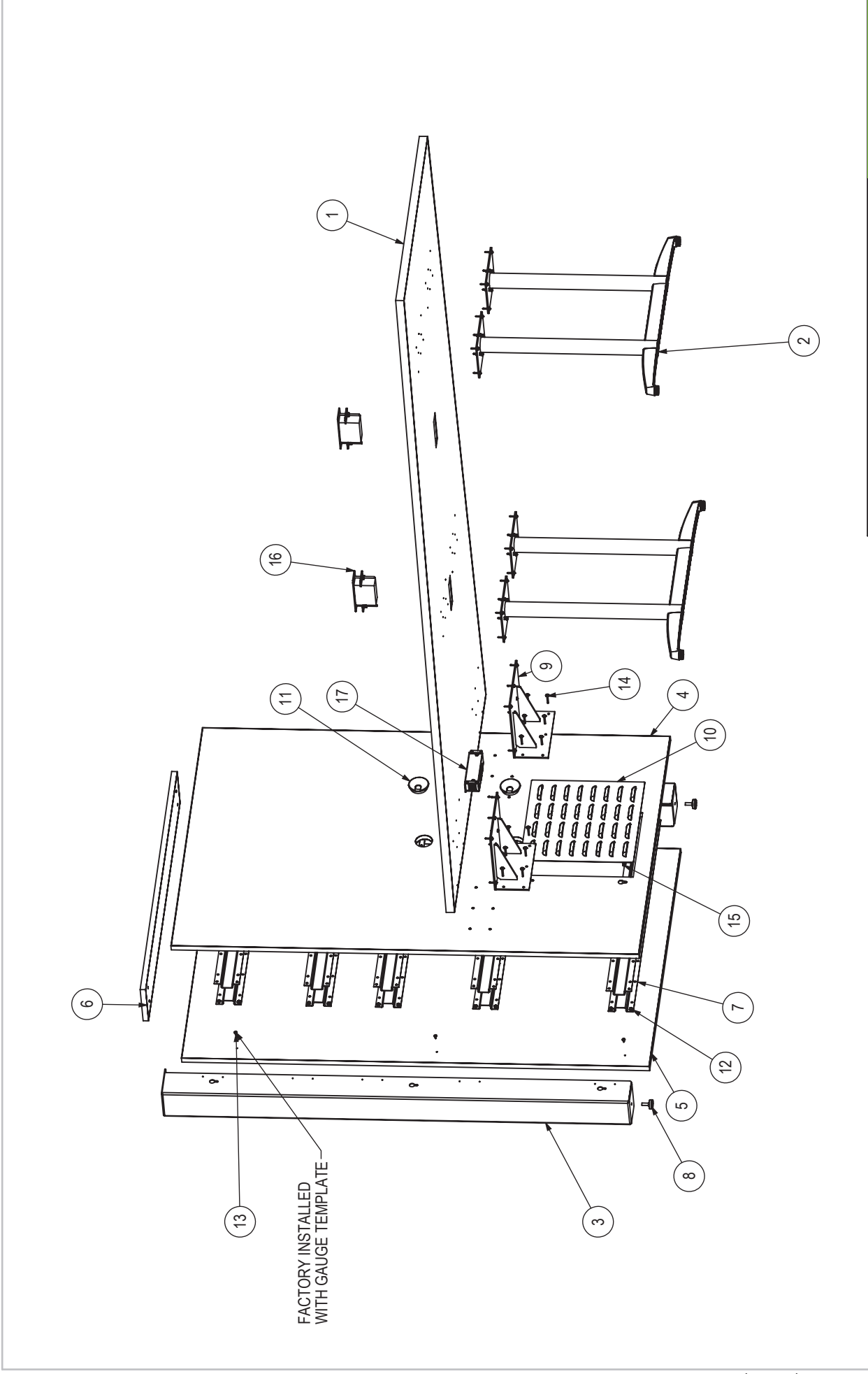
ITEM NO.	QTY.	PART NUMBER	DESCRIPTION	TOTAL NEEDED
1	1	L3.48x120TW.SPT2S.M.G-13266	Table Top, 47.50" wide x 119.50 long x 1.25" thick one piece HPL tele-wedges shaped with 3mm PVC edges.	2
2	2	BSPT2S34x29H.G.SL	Base, Supreme, TT Stationary 34" x 27.75" high base on levelers. Powder Coat Color: Silver.	4
3	2	BRYPL1S4x72H.H.SL-13266	Railway Panel Leg, 4.10" square x 70.250" tall, SILVER	4
4	1	BRY-40x72H.HPL-OUTSIDE-13266B	Railway Access Panel. 47.50" wide x 70.24" tall x .75" thick one piece HPL rectangle with self edges.	2
5	1	BRY-40x72H.HPL-OUTSIDE-13266A	Railway Access Panel. 47.50" wide x 70.24" tall x .75" thick one piece HPL rectangle with self edges.	2
6	1	BRY-6x48H.HPL-13266	6.37" wide x 47.50" long x .75" thick one piece HPL rectangle with self edges.	2
7	10	BRY-CM4x33-13266B.BK	Railway Cross Member, 3.75" wide x 41.75" Long x .825" thick, BLACK	20
8	2	LVLR-2	Leveler, 3/8-16 x 1" stem, 1-3/8" nickle plated base with white HDPE bottom.	4
9	2	BUNTL-BKT.SL-13266	Union Angle Bracket, 10" wide x 10.50" long x 5" tall, with 14 holes. Welded together with gusset. Powder Coat: Silver. Includes: (14) 950-2-203-016C5	4
10	1	916LVR-18x15H.SL-13266	Vent, Louvered 17.00" x 17.50" panel, 18 GA mild steel. Powder Coat Color: Silver.	2
11	2	901GB-2.5	Round Grommet, 2.5" diameter with cover, Black	4
12	52	970-2-014-005C8	Grade 8 Steel Serrated-Flange Hex Locknut 1/4"-20 Thread Sz, 7/16"	104
13	12	950-2-203-008C5	#12 x 1/2" Sheet Metal Screw, standard point zinc plated steel, Pan head, Phillips Drive, Drive #3,	24
14	12	945-2-204-024C5	1/4"-20 x 1-1/2" Machine Screw, Pan Head Steel Zinc-Plated Phillips Drive#3 Drive	24
15	4	982-2-004-005C5	Grade 5 steel nylon-insert hex locknut 1/4"-20 thread size, 7/16" width, 5/16" overall height.	8
16	2	901PCL1USB2-2P.SL	Power, Cove, Linking Circuit #1 Two outlets and two USB, Silver.	4
17	1	901PVUL1B.2P	Power, Villa Under Table, Linking Circuit #1. Two outlets, Black.	2
18	1	901ICFF.2C-34	Power, Interconnecting Cable, Female/Female, 2 circuit, 34" long.	2
19	1	901ICFF.2C-45	Power, Interconnecting Cable, Female/Female, 2 circuit, 45" long.	2
20	1	901PSTS-72F	Power, Starter, Softwired, Female, 72" long.	2



## Hi5 Furniture, Inc.

PROPRIETARY AND CONFIDENTIAL		NOMINAL DIMENSIONS ± 1.00"	
THIS DRAWING IS THE PROPERTY OF HI5 FURNITURE, INC. THE DRAWING NOR THE ITEMS THEREON ARE TO BE REPRODUCED, REDISTRIBUTED OR USED IN ANY MANNER NOT AUTHORIZED IN WRITING BY AN OFFICER OR AGENT THEREOF.		Date Created: 5/22/2019	Drawn By:
		Last Updated: Miles	5/23/2019
Revision: A	Scale: 1:35	Sheet 1 of 3	

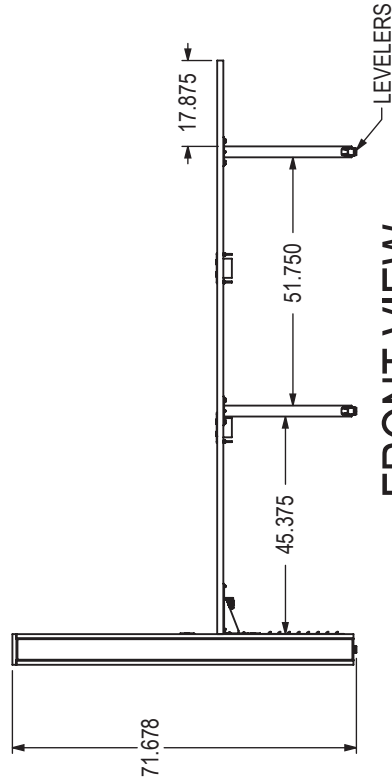
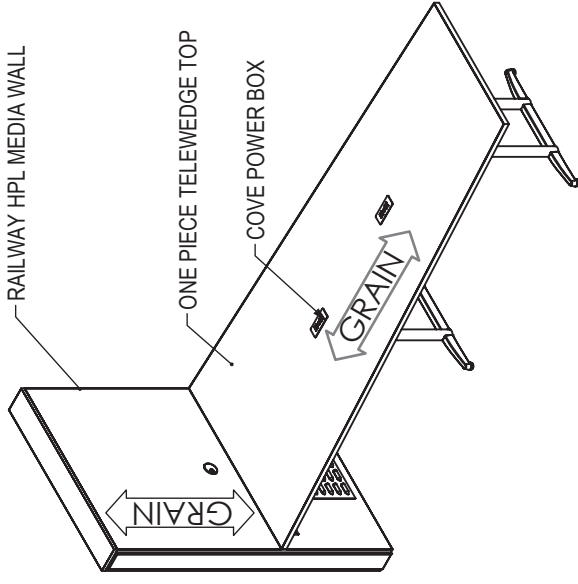
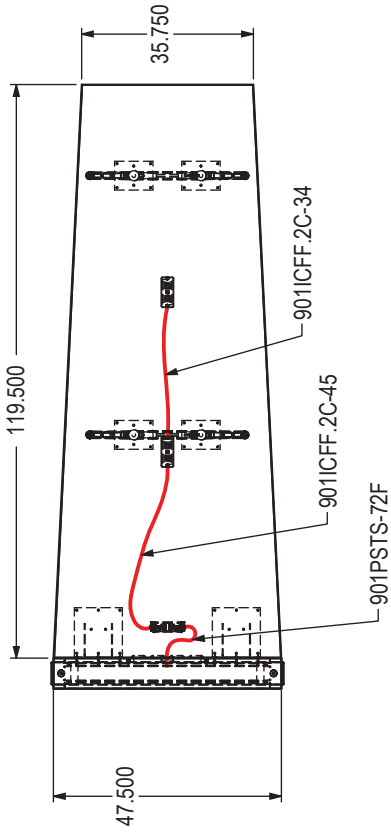




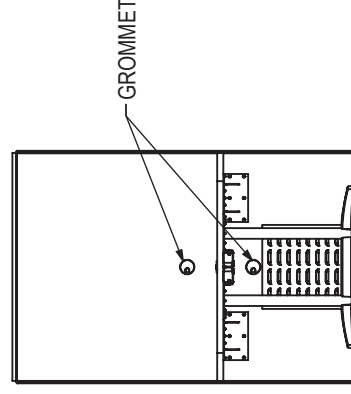
<b>Hi5 Furniture, Inc.</b>		NOMINAL DIMENSIONS ± 1.00"	
Proprietary and Confidential	Date Created:	Drawn By:	
THIS DRAWING IS THE PROPERTY OF HI5 FURNITURE, INC. THE DRAWING NOR THE ITEMS THEREON ARE TO BE REPRODUCED, REDISTRIBUTED OR USED IN ANY MANNER NOT AUTHORIZED IN WRITING BY AN OFFICER OR AGENT THEREOF.	5/22/2019		
	Last Updated:	Miles	5/23/2019
	Revision:	Scale:	A
			Sheet 2 of 3

Model Code:  
SPT248x120x29TWS.L3.M.SL-13266

# TOP VIEW (TRANSPARENT)

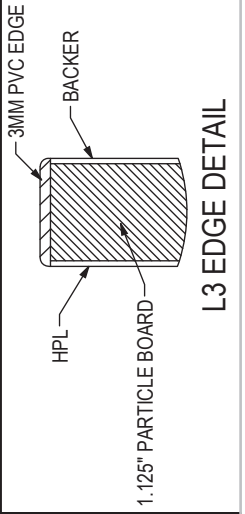


# FRONT VIEW



# SIDE VIEW

NOTES:



# Hi5 Furniture, Inc.

PROPRIETARY AND CONFIDENTIAL THIS DRAWING IS THE PROPERTY OF HIS FURNITURE, INC. THE DRAWING NOR THE ITEMS THEREON ARE TO BE REPRODUCED, REDISTRIBUTED OR USED IN ANY MANNER NOT AUTHORIZED IN WRITING BY AN OFFICER OR AGENT THEREOF.	NOMINAL DIMENSIONS ± 1.00"	
	Date Created: 5/22/2019	Drawn By:
	Last Updated: Miles 5/23/2019	Scale: A 1:40
	Revision: Sheet 3 of 3	



# ASSEMBLY INSTRUCTIONS

## TOOLS YOU WILL NEED:

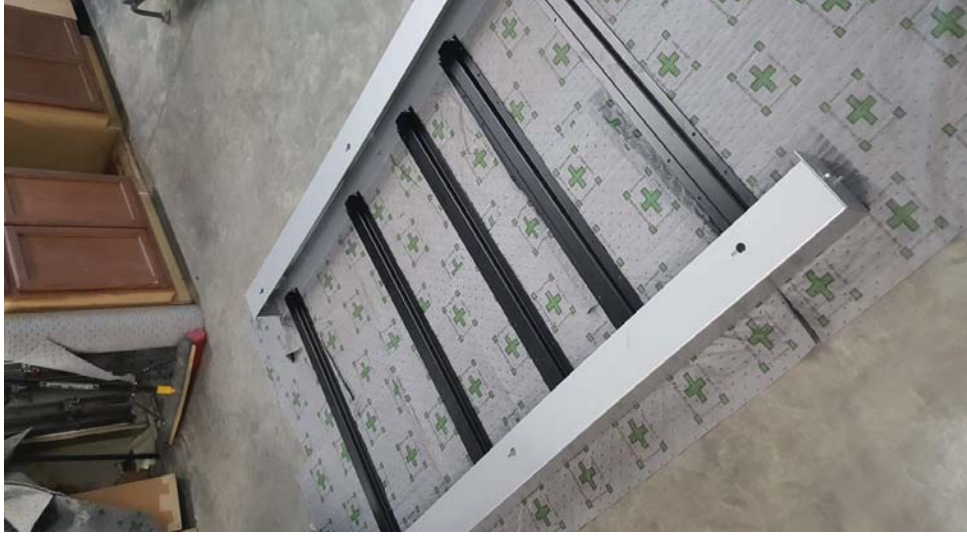
- POWER DRILL
- #3 PHILLIPS DRILL BIT
- 7/16" SOCKET OR WRENCH
- MINIMUM THREE PEOPLE FOR HEAVY LIFTING



# ASSEMBLY INSTRUCTIONS

## STEP 1

- LAY PANEL LEGS FLAT ON THE GROUND
- ATTACH CROSS MEMBER TO PANEL LEG USING OUTSIDE HOLES OF CROSS MEMBER
- FASTEN CROSS MEMBER WITH SERRATED-FLANGE HEX LOCKNUT



# ASSEMBLY INSTRUCTIONS

## STEP 2

- FLIP PANEL OVER
- ATTACH CROSS MEMBERS TO PANEL LEG
- FASTEN CROSS MEMBER WITH SERRATED-FLANGE HEX LOCKNUT
- SCREW LEVELER INTO BOTTOM OF PANEL LEG



# ASSEMBLY INSTRUCTIONS

## STEP 3

- LAY TABLE TOP DOWN BOTTOM SIDE FACE UP
- ASSEMBLE AND FASTEN BASES USING SHEET METAL SCREW
- FASTEN ANGLE BRACKET USING SHEET METAL SCREW



# ASSEMBLY INSTRUCTIONS

## STEP 4

- STAND UP PANEL LEG AND CROSS MEMBER ASSEMBLY
- ATTACH FRONT ACCESS PANEL TO PANEL LEG USING THE KEYHOLES
- FLIP TABLE OVER AND LINE UP FRONT ACCESS PANEL PREDRILLS WITH ANGLE BRACKET HOLES
- FASTEN ANGLE BRACKET TO FRONT ACCESS PANEL USING  $\frac{1}{4}$ "-20 X 1-1/2" MACHINE SCREWS AND SERRATED-FLAND HEX LOCKNUT





# ASSEMBLY INSTRUCTIONS

## STEP 5

- ATTACH BACK ACCESS PANEL TO PANEL LEG USING THE KEYHOLES
- ATTACH TOP ACCESS PANEL
- ATTACH LOUVERED VENT USING THE KEYHOLES
- INSERT GROMMETS AND COVE POWER BOXES

