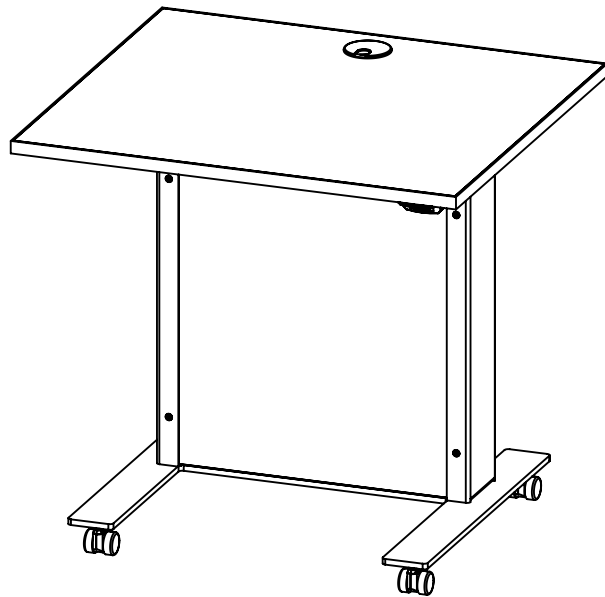


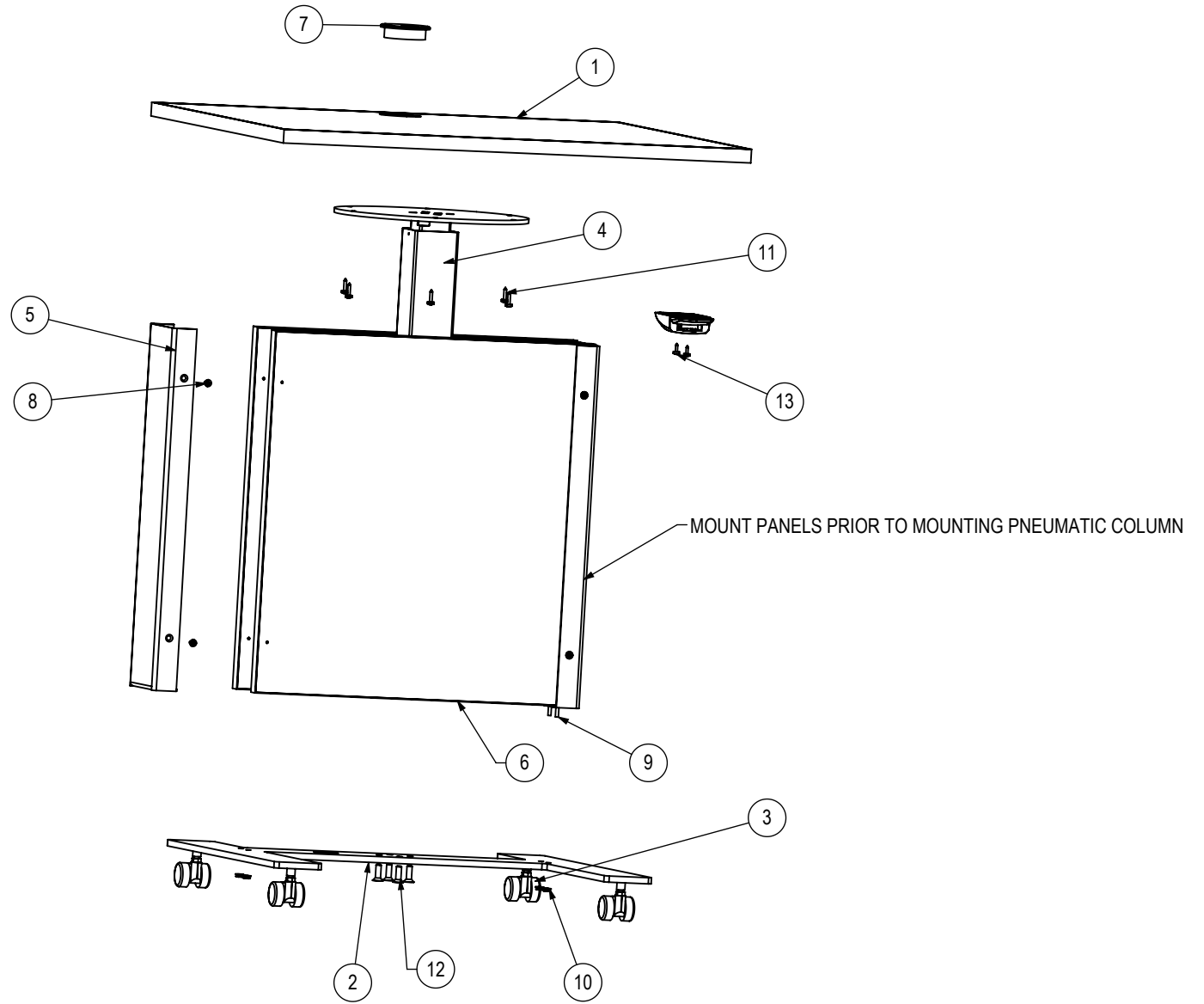
Y:\Hi5 Engineering\COLLECTIONS\JEWEL TABLES\JLH227x30x29-47REP.L73.SL-CS

ITEM NO.	QTY.	PART NUMBER	DESCRIPTION	TOTAL NEEDED
1	1	L73.27x30REP.JL.O-G3	Table Top, 26.75" wide x 29.75" long x .75" thick one piece HPL rectangle with 3mm PVC edges.	12
2	1	CJ-11740-BASE.SL	Base, 22" wide x 24" long H foot for custom height adjustable lectern. Powder Coat Color: Silver.	12
3	4	CSTR-3.LK	Caster, 37mm (1.47" ) Dia twin wheel with 5/16-18 x 5/8" threaded stem with wheel lock.	48
4	1	CJ-11740-COLUMN.SL	Base, Pneumatic height adjustable column. Height range 24.65"-42.60". Powder Coat Color: Silver.	12
5	2	CJ-11740-BKT.SL	Base, Side Bracket for custom height adjustable lectern. Powder Coat Color: Silver.	24
6	2	CJ-11740-PANEL	Custom Access Panel for height adjustable lectern. 20.375" wide x 22.00" tall x .75" thick one piece HPL rectangle with self edges.	24
7	1	901GS-2.5	Round Grommet, 2.5" diameter with cover Color: Silver	12
8	8	947-2-203-012C5	#12 x 3/4" Zinc plated steel Flat Head Phillips Sheet Metal Screw.	96
9	4	945-2-204-012C5	1/4"-20 x 3/4" Machine Screw, Pan Head Steel Zinc-Plated Phillips Drive#3 Drive	48
10	4	970-2-014-005C8	Grade 8 Steel Serrated-Flange Hex Locknut 1/4"-20 Thread Sz, 7/16"	48
11	6	950-2-203-012C5	#12 x 3/4" Sheet Metal Screw, standard point zinc plated steel, Pan head, Phillips Drive, Drive #3, drill size 3/16"	72
12	4	947-6-1M8-025C5	Steel Phillips Hex Head Screws. M8 x 1.25 mm Thread, 25 mm Long, 90 degree countersink.	48
13	2	950-2-202-008C5	#10 x 1/2" Sheet Metal Screw, standard point zinc plated steel, Pan head, Phillips Drive, Drive #2, Drill Size #21	24



Model Code:  
**JLH227x30x29-47REP.L73.SL-CS**

<b>Hi5 Furniture, Inc.</b>			<b>Hi5</b>
<small>PROPRIETARY AND CONFIDENTIAL          THIS DRAWING IS THE PROPERTY OF          HIS FURNITURE, INC. THE DRAWING          NOR THE ITEMS THEREON ARE TO          BE REPRODUCED, REDISTRIBUTED          OR USED IN ANY MANNER NOT          AUTHORIZED IN WRITING BY AN          OFFICER OR AGENT THEREOF.</small>		<small>NOMINAL DIMENSIONS ± 1.00"</small> <small>Last Updated:</small> <b>taylor</b> 4/6/2020	
<small>Revision:</small> <b>A</b>	<small>Scale:</small> 1:12	<small>Sheet</small> 1 of 3	



## Hi5 Furniture, Inc.

PROPRIETARY AND CONFIDENTIAL  
 THIS DRAWING IS THE PROPERTY OF  
 HIS FURNITURE, INC. THE DRAWING  
 NOR THE ITEMS THEREON ARE TO  
 BE REPRODUCED, REDISTRIBUTED  
 OR USED IN ANY MANNER NOT  
 AUTHORIZED IN WRITING BY AN  
 OFFICER OR AGENT THEREOF.

NOMINAL DIMENSIONS ± 1.00"

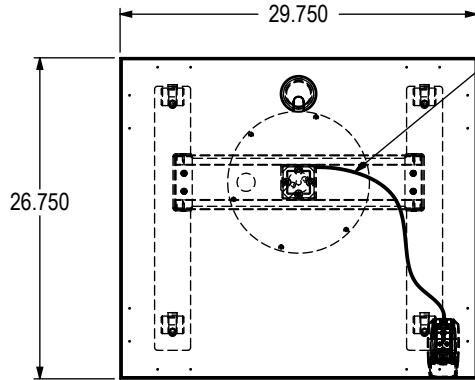
Last Updated:  
 taylor 4/6/2020

Revision:	Scale:	Sheet 2 of 3
A	1:10	



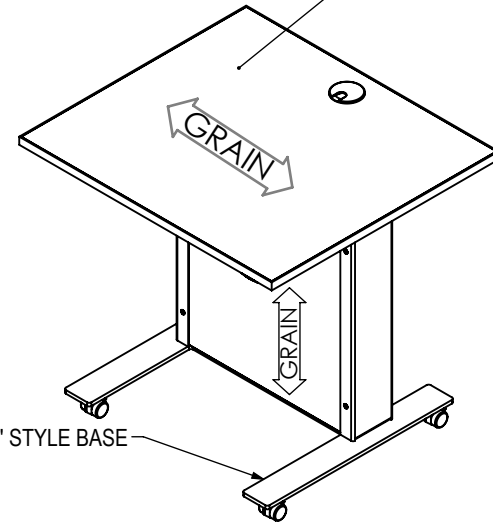
Y:\Hi5 Engineering\COLLECTIONS\JEWEL TABLES\JLH227x30x29-47REP.L73.SL-CS

**TOP VIEW**  
(TRANSPARENT)

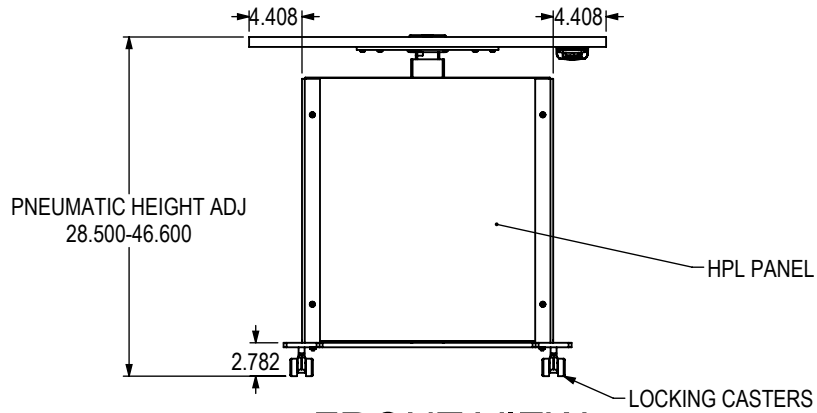


NOTE: MOUNT COLUMN WITH PNEUMATIC CABLE  
EXTENDING TO THE LEFT OR RIGHT  
IF CABLE EXTENDS TO THE FRONT OR BACK, PRE-DRILL HOLES  
ON TABLE TOP WILL NOT ALIGN WITH MOUNT PLATE

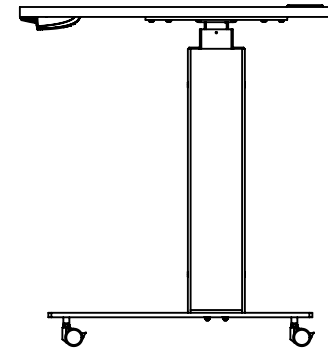
ONE PIECE RECTANGLE TOP



CUSTOM HEIGHT ADJUSTABLE "H" STYLE BASE

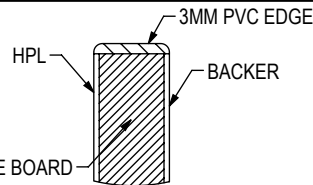


**FRONT VIEW**



**SIDE VIEW**

NOTES:



L73 EDGE DETAIL

**Hi5 Furniture, Inc.**

PROPRIETARY AND CONFIDENTIAL  
THIS DRAWING IS THE PROPERTY OF  
HI5 FURNITURE, INC. THE DRAWING  
NOR THE ITEMS THEREON ARE TO  
BE REPRODUCED, REDISTRIBUTED  
OR USED IN ANY MANNER NOT  
AUTHORIZED IN WRITING BY AN  
OFFICER OR AGENT THEREOF.

NOMINAL DIMENSIONS ± 1.00"	
Date Created: 6/29/2018	Drawn By:
Last Updated: taylor 4/6/2020	
Revision: A	Scale: 1:16
Sheet 3 of 3	

